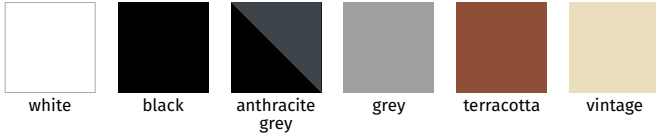


AH-11

PLASTIC HOODS

Features

- o Decoration of supply and exhaust vents of public, residential and industrial ventilation systems.
- o Outdoor wall mounting.



Design

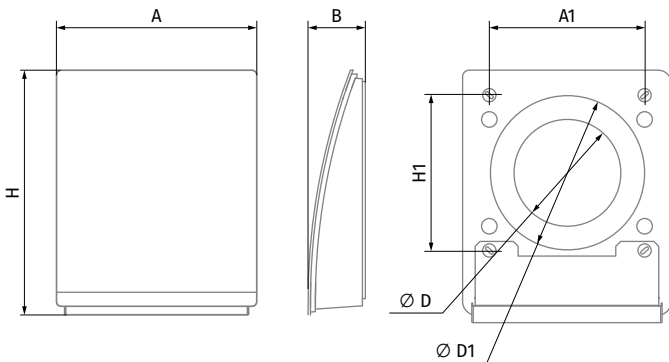
- o Made of PVC.
- o High UV resistance.
- o Non-inflammable.
- o Compatible with Ø 100 and 160 mm air ducts
- o **AH-11 160** is connected to Ø 150 and 160 mm air ducts.
- o Equipped with a canopy to remove water drops from walls.
- o Inner side of the hood is glued with noise-absorbing polyurethane foam (5 mm layer).

Modifications

- o AH-11 white 100 and 160.
- o AH-11 black 100 and 160.
- o AH-11 anthracite grey 100 and 160.
- o AH-11 grey 100 and 160.
- o AH-11 terracotta 100 and 160.
- o AH-11 vintage 100 and 160.

Dimensions [mm]

Model	Ø D	Ø D1	A	A1	B	H	H1
AH-11 100	100	164	212	160	60	260	160
AH-11 160	-	164	212	160	60	260	160



Technical data

