

Axis-QA

Axial wall fans

Use

- Supply and extract ventilation systems installed in various premises.
- Mounting in ventilation systems with low static pressure requiring high air capacity.
- Direct air extract.



Air flow:
up to 1700 m³/h
472 l/s



Power:
from 26 W



Noise level:
from 31 dBA



Design

- Compact steel casing covered with special polymer coating.
- Aluminium impeller.
- The casing is equipped with a square mounting plate and flange for easy surface wall mounting.
- The fan is equipped with a power cord and external terminal box for connection to power mains.

Motor

- Single-phase asynchronous motor with an internal rotor and an axial impeller.
- Motor with slide bearings.
- Integrated overheating protection with automatic restart.

Speed control

- Smooth speed control with an external thyristor controller or step speed control with an external auto transformer (both available upon separate order).

Mounting

- Wall surface mounting with a square connecting frame.
- Horizontal installation with respect to air flow direction in the system.
- Power supply through an external terminal box with electric lead-in.

AXIAL FANS

Designation key

Series	Dimension type
Axis-QA	150: branch pipe Ø 162 mm 200: branch pipe Ø 208 mm 250: branch pipe Ø 262 mm 315: branch pipe Ø 312/315 mm

Overall dimensions [mm]

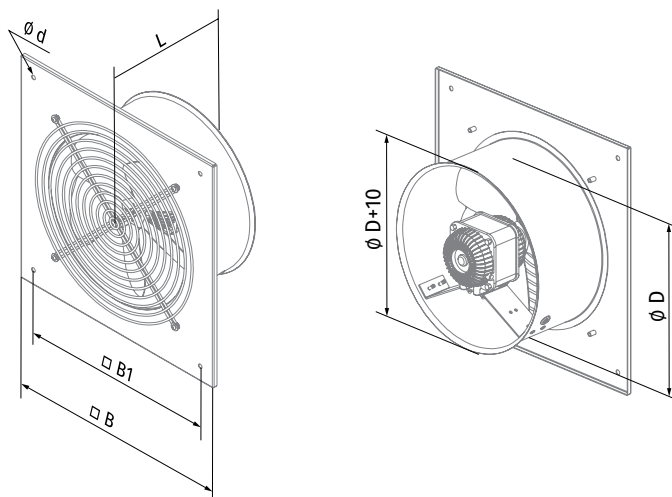
Type	Ø D	Ø d	B	B1	L	Weight [kg]
Axis-QA 150	162	7	250	210	120	2.10
Axis-QA 200	208	7	312	260	120	2.82
Axis-QA 250	262	7	370	320	140	4.88
Axis-QA 315	312	9	430	380	170	5.46

Accessories

Speed controllers



CDT E1.8

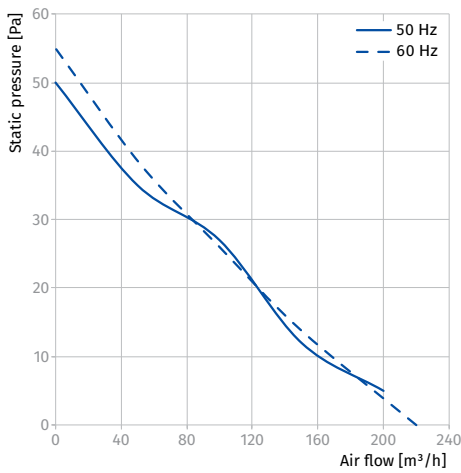


Technical data

Parameters	Axis-QA 150		Axis-QA 200		Axis-QA 250		Axis-QA 315	
Voltage [V]	1~ 220-240		1~ 220-240		1~ 220-240		1~ 220-240	
Frequency [Hz]	50	60	50	60	50	60	50	60
Power [W]	36	26	43	33	68	76	110	104
Current [A]	0.26	0.26	0.28	0.21	0.48	0.51	0.75	0.7
Maximum air flow [m³/h (l/s)]	200 (56)	205 (57)	405 (113)	470 (131)	1070 (297)	1050 (292)	1700 (472)	1650 (458)
RPM [min⁻¹]	1300	1590	1300	1615	1300	1450	1300	1365
Sound pressure at 3 m [dBA]	33	33	33	33	37	37	42	43
Max. transported air temperature [°C]	-30 ... +40		-30 ... +40		-30 ... +40		-30 ... +40	
IP rating	IPX4		IPX4		IPX4		IPX4	
Motor IP rating	IP44		IP44		IP44		IP44	

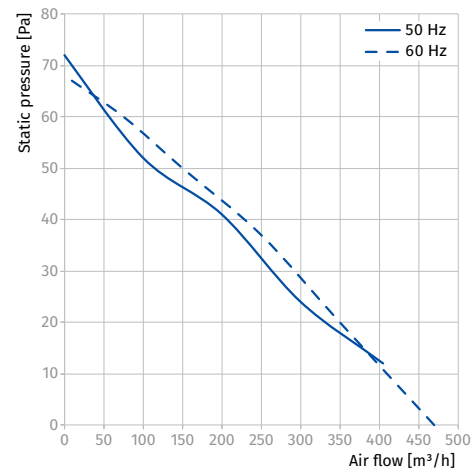
AXIS-QA 150

Sound power level, A-weighted	Total	Octave frequency bands [Hz]								LpA 3 m	LpA 1 m
		63	125	250	500	1000	2000	4000	8000		
LWA to environment [dBA]	54	22	35	39	45	49	49	45	39	33	43



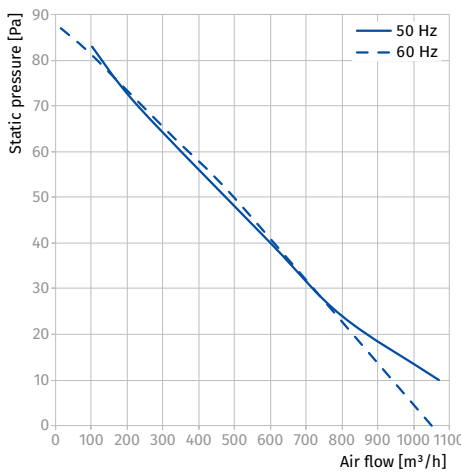
AXIS-QA 200

Sound power level, A-weighted	Total	Octave frequency bands [Hz]								LpA 3 m	LpA 1 m
		63	125	250	500	1000	2000	4000	8000		
LWA to environment [dBA]	53	22	34	38	44	48	48	44	38	32	42



AXIS-QA 250

Sound power level, A-weighted	Total	Octave frequency bands [Hz]								LpA 3 m	LpA 1 m
		63	125	250	500	1000	2000	4000	8000		
LWA to environment [dBA]	58	24	38	42	48	53	53	48	42	37	47



AXIS-QA 315

Sound power level, A-weighted	Total	Octave frequency bands [Hz]								LpA 3 m	LpA 1 m
		63	125	250	500	1000	2000	4000	8000		
LWA to environment [dBA]	62	39	49	44	50	56	49	42	60	42	52

