



OUTER VENTILATION HOOD



AH Civic EC LB 300
AH Civic EC LB 500
AH Civic EC LB 1200

EN


INSTALLATION INSTRUCTION



BLAUBERG
Ventilatoren

PURPOSE

The outer ventilation hood (hereinafter referred to as the "hood") is designed to prevent ingress of water and foreign objects into the ventilation equipment from outside.



THE UNIT MAY NOT BE OPERATED BY CHILDREN OR PERSONS WITH REDUCED PHYSICAL, MENTAL OR SENSORY CAPACITIES, OR LACKING THE APPROPRIATE TRAINING.

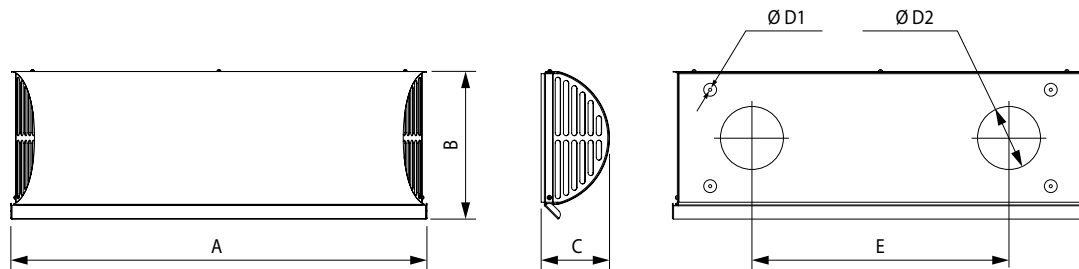
THE CHOICE OF UNIT INSTALLATION LOCATION MUST PREVENT UNAUTHORIZED ACCESS BY UNATTENDED CHILDREN.

DELIVERY SET

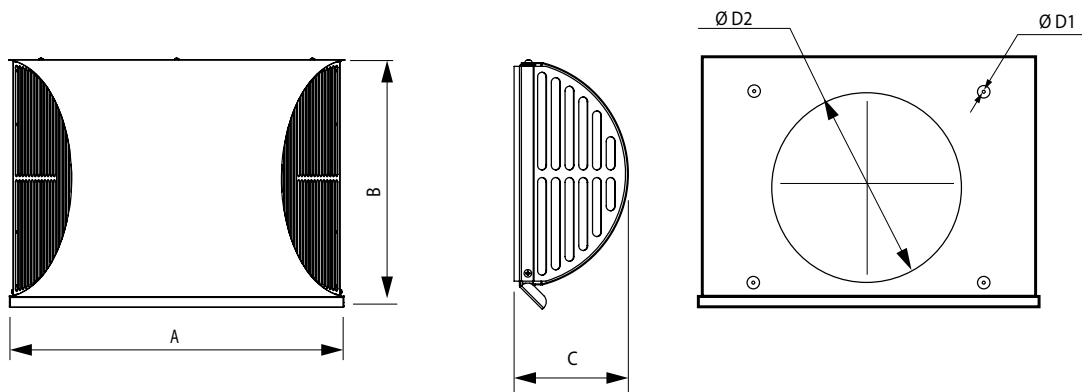
	AH Civic EC LB 300 AH Civic EC LB 500	AH Civic EC LB 1200
Hood	1	2
Installation instruction	1	1
Fastening kit	1	1
Packing box	1	1

OVERALL DIMENSIONS

AH Civic EC LB 300/500



AH Civic EC LB 1200



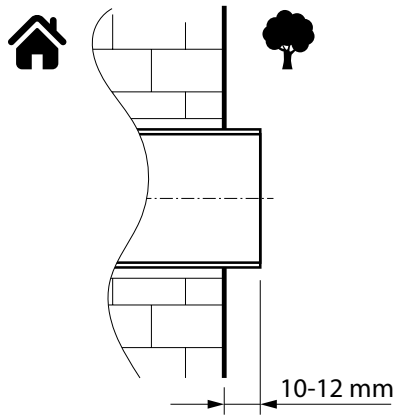
	A	B	C	E	D1	D2
AH Civic EC LB 300	648	370	175	230	6	200
AH Civic EC LB 500	748	480	230	290	6	250
AH Civic EC LB 1200	717	530	250	—	6	402

INSTALLATION

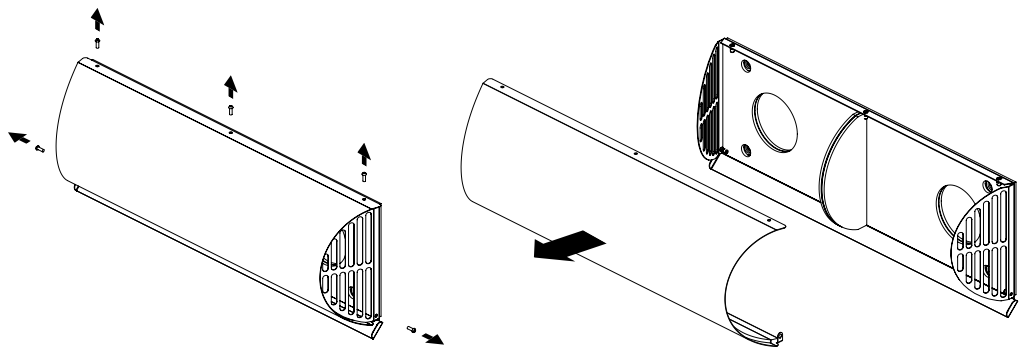
WARNING! IF THE MOUNTING PLACE IS LOCATED AT HIGH ALTITUDE, PLEASE REFER TO A MOUNTING COMPANY POSSESSING APPROPRIATE MOUNTING EQUIPMENT!

Installation is shown on the example of the AH Civic EC LB 300 ventilation hood. For Civic EC LB 1200 units, two AH Civic EC LB 1200 hoods must be installed.

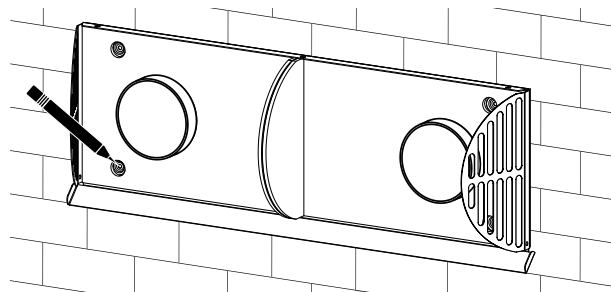
Route the air ducts outside of the outer wall on which the hood will be installed.
Cut the excess of the air ducts.



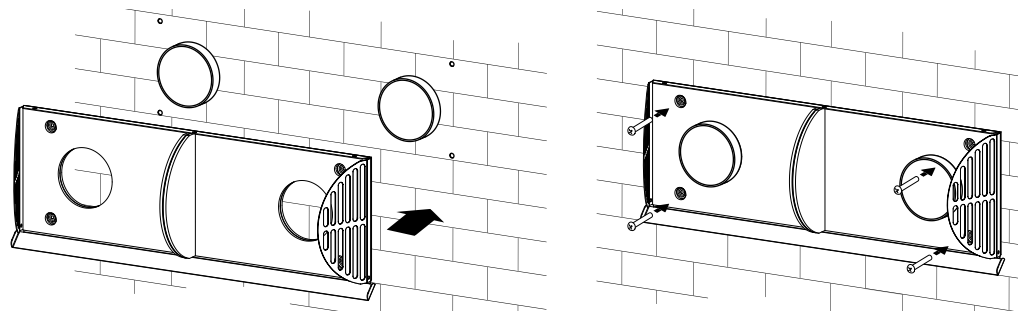
Disassemble the hood to enable access to the fastening holes. Remove the screws that secure the front part of the hood and remove it.



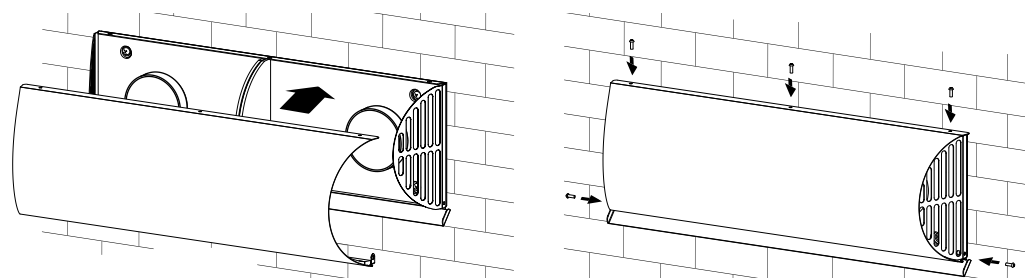
Mark the holes using the back part of the ventilation hood. Drill 4 holes for the dowels.



Fix the back part of the hood to the wall.



Install the front part of the hood and fix it with screws.





BLAUBERG
Ventilatoren

