


KITCHEN HOOD



DAH 251-13

EN **USER'S MANUAL**

CONTENTS


Safety requirements.....	2
Purpose.....	3
Overall dimensions and technical data.....	3
Installation	4
Connection to power mains	5
Technical maintenance.....	6
Manufacturer's warranty	7
Certificate of acceptance.....	11
Seller information.....	11
Installation certificate.....	11
Warranty card.....	11

SAFETY REQUIREMENTS

- Before using and installing the unit, carefully read this User's manual.
- Exhaust air removal must be organized in accordance with the requirements of all applicable local and national building, electrical and technical norms and standards.
- Exhaust air should not be routed to chimneys that are used to remove combustion products of firewood, gas, oil or solid fuel.
- During the unit operation, it is necessary to ensure unhindered access of air to the room if other sources with types of energy other than electric are used there (stoves, fireplaces, gas, wood, wood-fired boilers).
- The distance between the stove and the unit must be at least 40 cm. When using a gas stove, the distance increases to 65 cm. If the manufacturer of the gas stove recommends a larger distance, pay attention to this. Open flames directly below the unit are not allowed.
- When installing the unit and during maintenance, make sure to disconnect the power supply.
- Connection to power mains, changing the cable or the connection form must only be carried out by a qualified specialist.
- Read the warnings in the User's manual as they contain information regarding your safety.
- Failure to follow the regulations and warnings in this manual may result in personal injury or damage to the product.
- Do not let children play with the unit. Unit maintenance and cleaning should not be carried out by children without supervision.
- Available elements of the unit may become hot during cooking.
- The risk of fire increases if cleaning is not carried out in accordance with the recommendations of this User's manual.
- Read the manual carefully and keep it as long as you use the unit.
- While transferring the unit control the user's manual must be turned over to the receiving operator.

PURPOSE

The kitchen exhaust hood is designed for installation into ventilation systems of small and medium sized spaces. Equipped with lamps and a polyester filter. This User's manual covers the installation, care and maintenance of the unit.

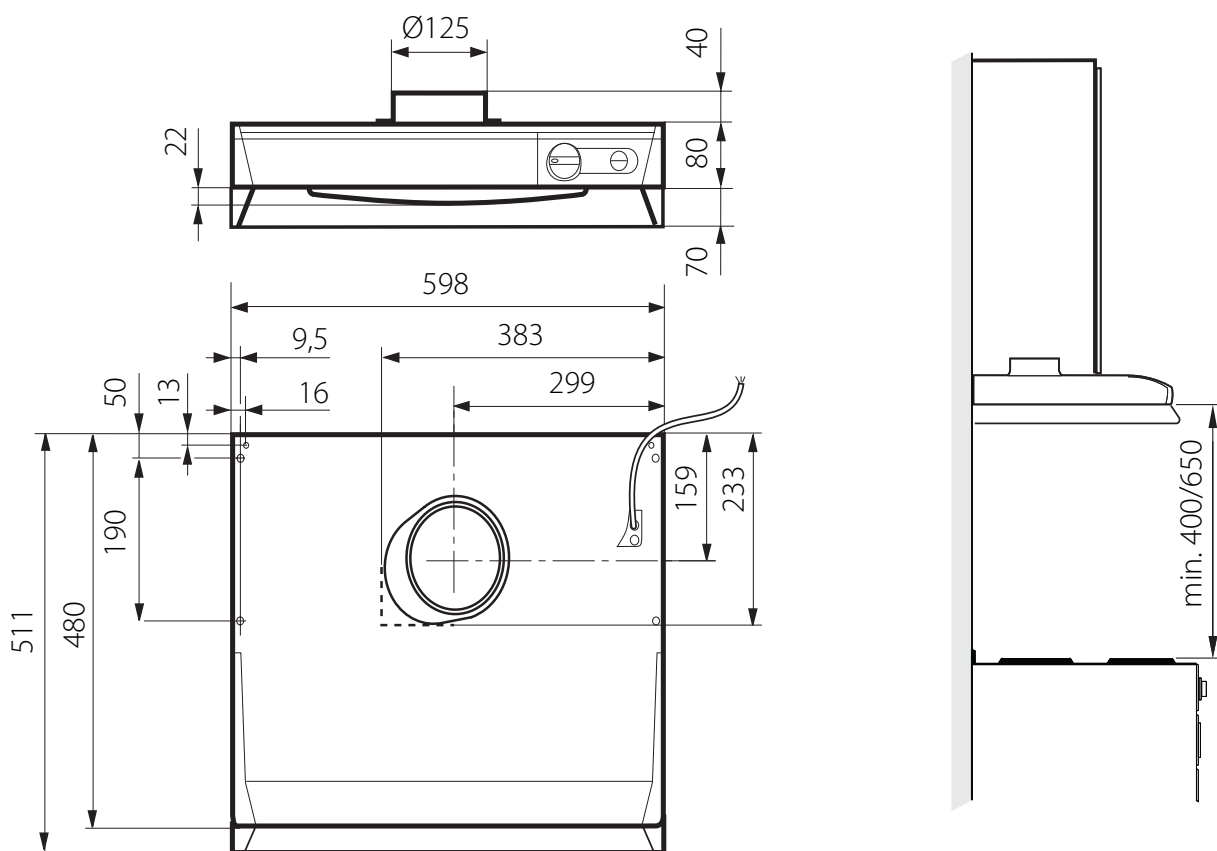


THE UNIT SHOULD NOT BE OPERATED BY CHILDREN OR PERSONS WITH REDUCED PHYSICAL, MENTAL, OR SENSORY CAPACITIES, OR THOSE WITHOUT THE APPROPRIATE TRAINING.

THE UNIT MUST BE INSTALLED AND CONNECTED ONLY BY PROPERLY QUALIFIED PERSONNEL AFTER THE APPROPRIATE BRIEFING.

THE CHOICE OF UNIT INSTALLATION LOCATION MUST PREVENT UNAUTHORIZED ACCESS BY UNATTENDED CHILDREN.

OVERALL DIMENSIONS AND TECHNICAL DATA



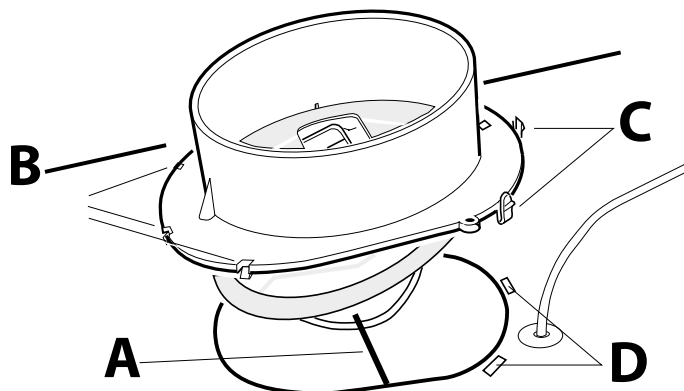
TECHNICAL DATA

Width	60 cm
Electrical connection	230 V
Lighting	11 W edge-lighted panel

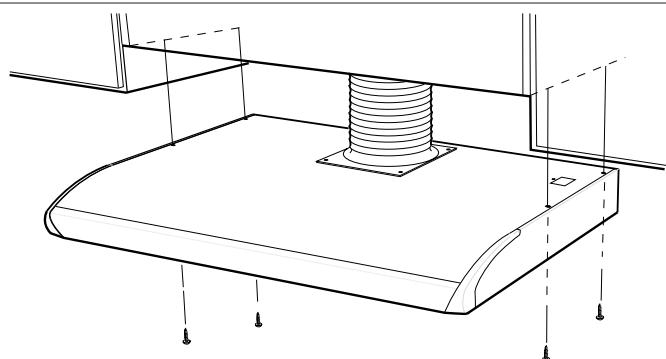
INSTALLATION

The mounting accessories and screws are included in the delivery set. The kitchen exhaust hood is supplied with a cable and a grounded power connector.

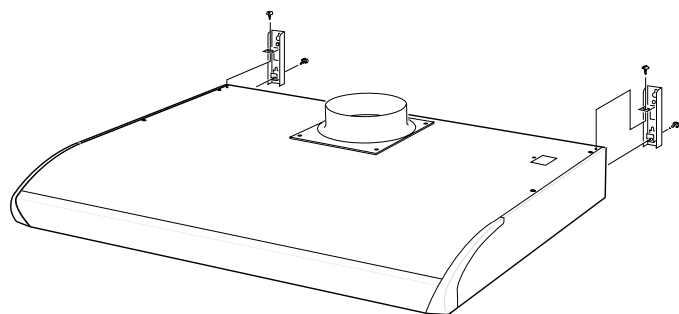
Flange connector installation



Mount the flange with the valve **A** to the exhaust opening of the kitchen hood. Make sure that flange **B** detents catch against the underside surface adjacent to the hole and then secure it with latches **C** in holes **D**.

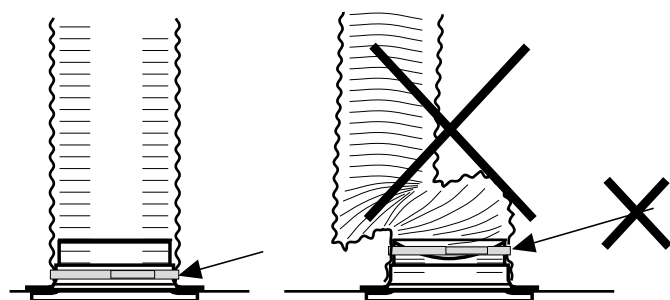


The exhaust is mounted under or inside a kitchen cabinet. The unit also allows console mounting with the optional accessories purchased separately.




Connection to an exhaust air duct

The exhaust hood is connected by means of a $\varnothing 125$ mm air duct.



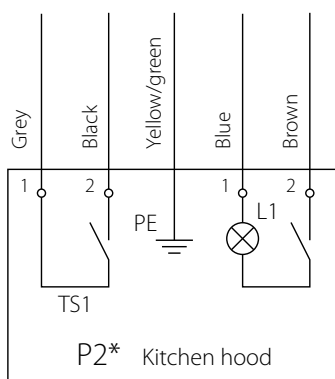
Warning! When using flexible air ducts ensure a tight connection with the flange and avoid excessive bending.

CONNECTION TO POWER MAINS

 **POWER OFF THE POWER SUPPLY PRIOR TO ANY OPERATIONS WITH THE UNIT. THE UNIT MUST BE CONNECTED TO POWER SUPPLY BY A QUALIFIED ELECTRICIAN. THE RATED ELECTRICAL PARAMETERS OF THE UNIT ARE GIVEN ON THE MANUFACTURER'S LABEL.**

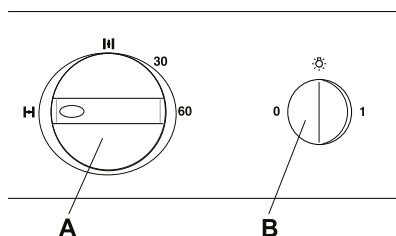
 **ANY TAMPERING WITH THE INTERNAL CONNECTIONS IS PROHIBITED AND WILL VOID THE WARRANTY.**

Connect the kitchen exhaust hood to an air handling unit controller or a fan according to the schematic diagram below. The cable extends from the upper section of the exhaust hood.



DEACTIVATION FUNCTIONS

The exhaust hood casing has the following controls: **A** — damper handle, **B** — light button. Open the damper before cooking. The damper closes automatically after 60 minutes. Open the damper before starting to cook and leave it open while cooking to prevent vapours from spreading across the room.



TECHNICAL MAINTENANCE

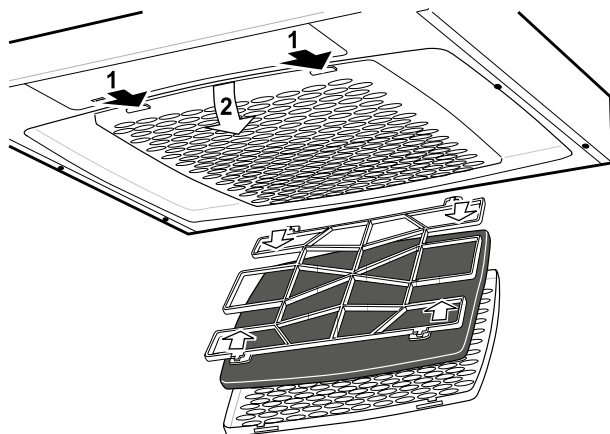
Maintenance operations of the unit are required twice per month. They include general cleaning of the unit and the following operations:

1. Filter maintenance.

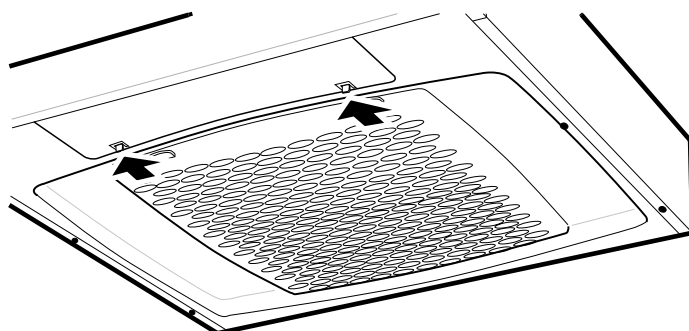
To remove the filter cartridge, press on the front latches.

Remove the filter and the fabric insert by releasing the detent. Wash the filter in a warm detergent solution. Alternatively put the filter in a dishwasher. The internal fan should be cleaned at least every 12 months. Wipe the exhaust hood internals with a wet cloth soaked in washing-up liquid solution. Replace the filter and press it upwards until it clicks locked.

2. Light bulb replacement.



Remove the lens by pressing on the clips in the direction of the arrow and replace the light bulb.



MANUFACTURER'S WARRANTY

The product is in compliance with EU norms and standards on low voltage guidelines and electromagnetic compatibility. We hereby declare that the product complies with the provisions of Electromagnetic Compatibility (EMC) Directive 2014/30/EU of the European Parliament and of the Council, Low Voltage Directive (LVD) 2014/35/EU of the European Parliament and of the Council and CE-marking Council Directive 93/68/EEC. This certificate is issued following test carried out on samples of the product referred to above.

The manufacturer hereby warrants normal operation of the unit for 24 months after the retail sale date provided the user's observance of the transportation, storage, installation, and operation regulations. Should any malfunctions occur in the course of the unit operation through the Manufacturer's fault during the guaranteed period of operation, the user is entitled to get all the faults eliminated by the manufacturer by means of warranty repair at the factory free of charge. The warranty repair includes work specific to elimination of faults in the unit operation to ensure its intended use by the user within the guaranteed period of operation. The faults are eliminated by means of replacement or repair of the unit components or a specific part of such unit component.

The warranty repair does not include:

- routine technical maintenance
- unit installation/dismantling
- unit setup

To benefit from warranty repair, the user must provide the unit, the user's manual with the purchase date stamp, and the payment paperwork certifying the purchase. The unit model must comply with the one stated in the user's manual. Contact the Seller for warranty service.

The manufacturer's warranty does not apply to the following cases:

- User's failure to submit the unit with the entire delivery package as stated in the user's manual including submission with missing component parts previously dismantled by the user.
- Mismatch of the unit model and the brand name with the information stated on the unit packaging and in the user's manual.
- User's failure to ensure timely technical maintenance of the unit.
- External damage to the unit casing (excluding external modifications as required for installation) and internal components caused by the user.
- Redesign or engineering changes to the unit.
- Replacement and use of any assemblies, parts and components not approved by the manufacturer.
- Unit misuse.
- Violation of the unit installation regulations by the user.
- Violation of the unit control regulations by the user.
- Unit connection to power mains with a voltage different from the one stated in the user's manual.
- Unit breakdown due to voltage surges in power mains.
- Discretionary repair of the unit by the user.
- Unit repair by any persons without the manufacturer's authorization.
- Expiration of the unit warranty period.
- Violation of the unit transportation regulations by the user.
- Violation of the unit storage regulations by the user.
- Wrongful actions against the unit committed by third parties.
- Unit breakdown due to circumstances of insuperable force (fire, flood, earthquake, war, hostilities of any kind, blockades).
- Missing seals if provided by the user's manual.
- Failure to submit the user's manual with the unit purchase date stamp.
- Missing payment paperwork certifying the unit purchase.



FOLLOWING THE REGULATIONS STIPULATED HEREIN WILL ENSURE A LONG AND TROUBLE-FREE OPERATION OF THE UNIT.



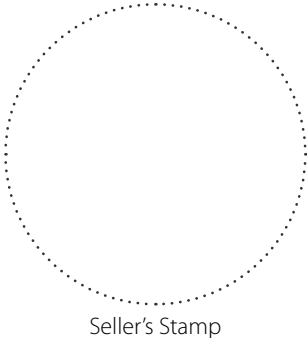
USER'S WARRANTY CLAIMS SHALL BE SUBJECT TO REVIEW ONLY UPON PRESENTATION OF THE UNIT, THE PAYMENT DOCUMENT AND THE USER'S MANUAL WITH THE PURCHASE DATE STAMP.

CERTIFICATE OF ACCEPTANCE

Unit Type	Kitchen hood
Model	DAH 251-13
Serial Number	
Manufacture Date	
Quality Inspector's Stamp	

SELLER INFORMATION

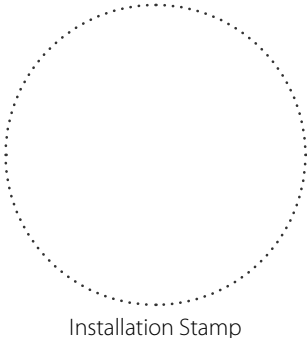
Seller	
Address	
Phone Number	
E-mail	
Purchase Date	
This is to certify acceptance of the complete unit delivery with the user's manual. The warranty terms are acknowledged and accepted.	
Customer's Signature	



Seller's Stamp

INSTALLATION CERTIFICATE

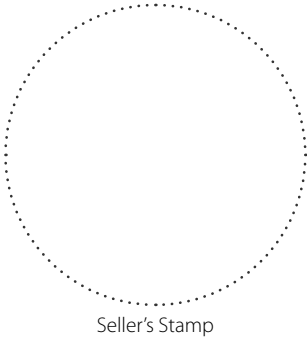
The DAH 251-13 unit is installed pursuant to the requirements stated in the present user's manual.	
Company name	
Address	
Phone Number	
Installation Technician's Full Name	
Installation Date:	Signature:
The unit has been installed in accordance with the provisions of all the applicable local and national construction, electrical and technical codes and standards. The unit operates normally as intended by the manufacturer.	
Signature:	



Installation Stamp

WARRANTY CARD

Unit Type	Kitchen hood
Model	DAH 251-13
Serial Number	
Manufacture Date	
Purchase Date	
Warranty Period	
Seller	



Seller's Stamp



BLAUBERG
Ventilatoren

