

VERTICAL DUCT CONNECTION MODULE



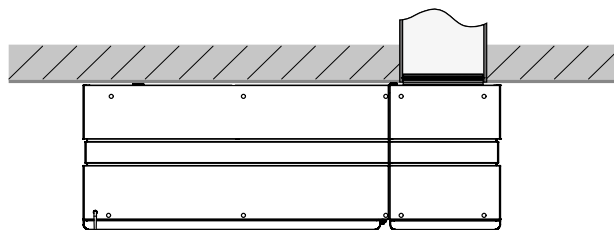
CIVIC FMM 1000

EN

INSTALLATION INSTRUCTION

PURPOSE

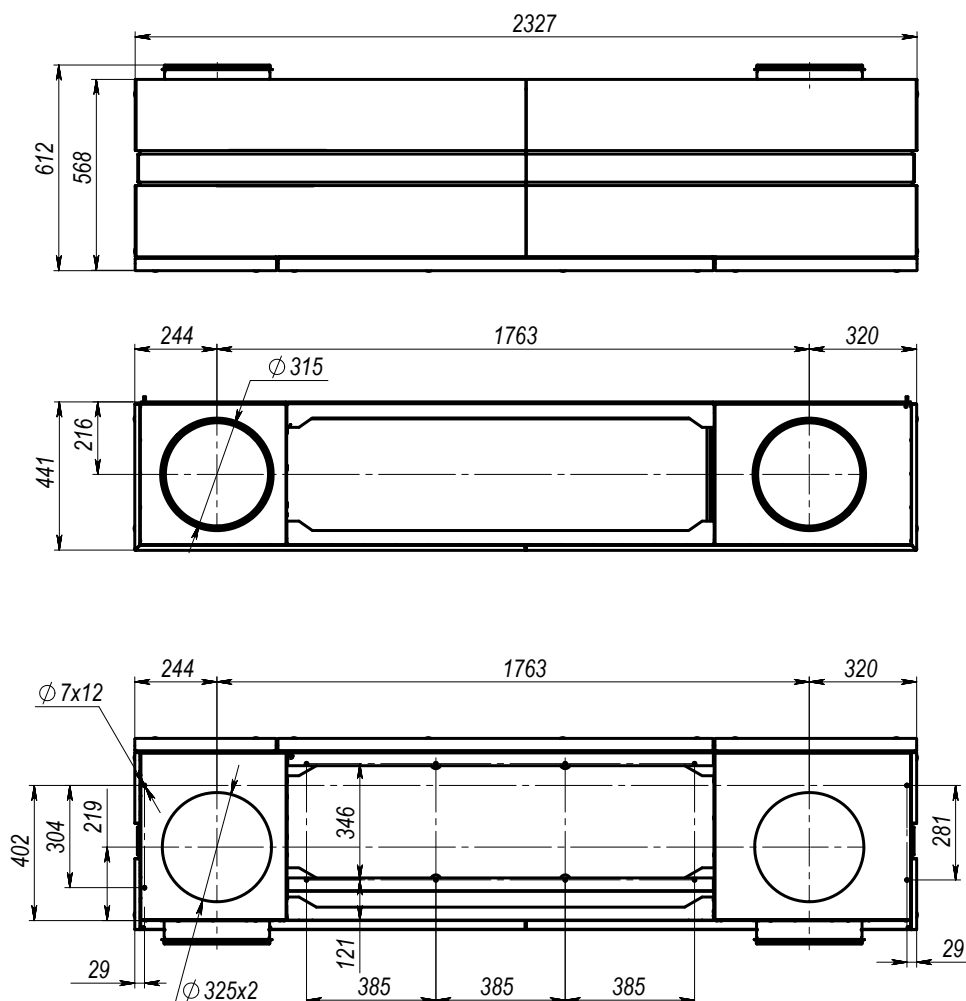
The product is designed to connect the unit.
 Transported air must not contain any flammable or explosive mixtures, evaporation of chemicals, sticky substances, fibrous materials, coarse dust, soot and oil particles or environments favourable for the formation of hazardous substances (toxic substances, dust, pathogenic germs).
 The product is purchased separately and is installed in the air handling unit by an installer or electrician.



DELIVERY SET

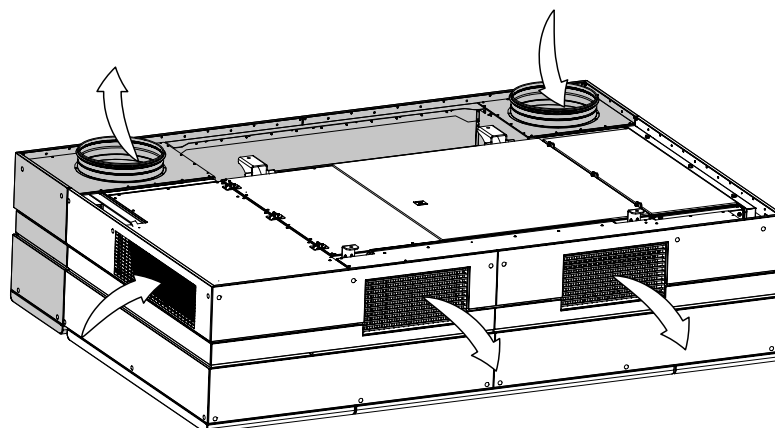
NAME	NUMBER
Product	1 pc.
Installation instruction	1 pc.
Mounting screw with washer	4 pc.
Set of decorative panels with plugs and fasteners	1 pcs.
Packing box	1 pc.

OVERALL DIMENSIONS



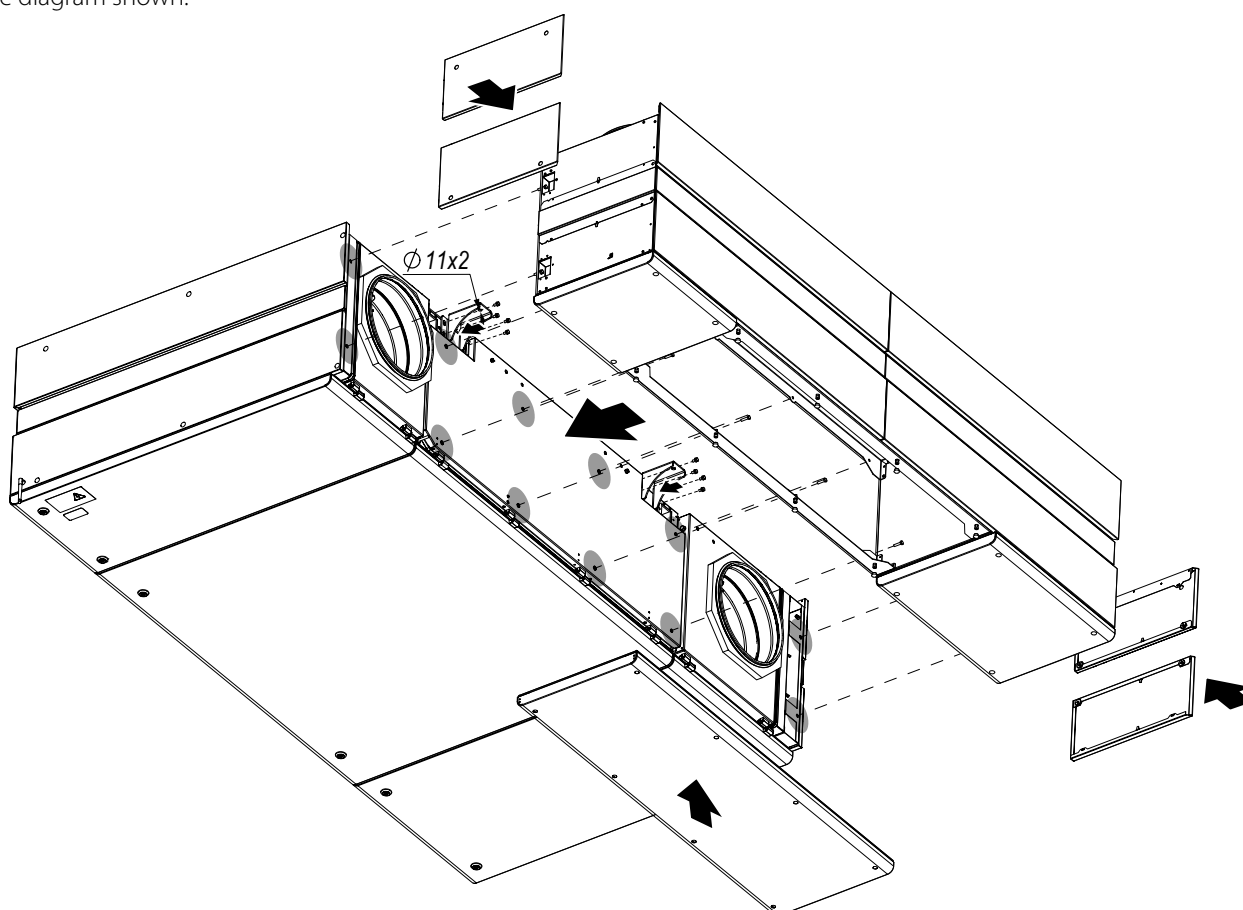
The weight of the product is 48.1 kg.

OPERATION LOGIC



MOUNTING AND SET-UP

The product is fixed to the mounted unit using screws screwed into the mounting plate of the unit and the screws contained in the product. Remove the screws on the mounting plate corresponding to the mounting holes. Attach the product to the unit in accordance with the diagram shown.



Install the decorative panels. Install the panels in the centre first, then the top and bottom panels. Special fasteners are used to mount the unit with the product. Mounting brackets for mounting the unit with the product are included with the unit.

TECHNICAL MAINTENANCE

Maintenance operations of the product are required 3-4 times per year in accordance with the recommendations in the relevant section of the user manual for the unit.



BLAUBERG
Ventilatoren

