



HUMIDITY SENSOR



FS2

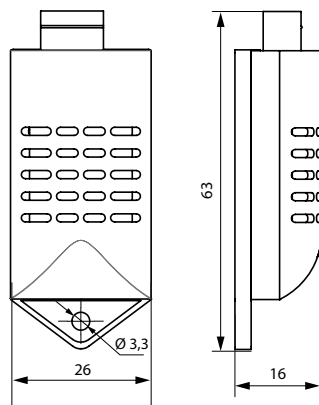
EN

Installation instruction



BLAUBERG
Ventilatoren

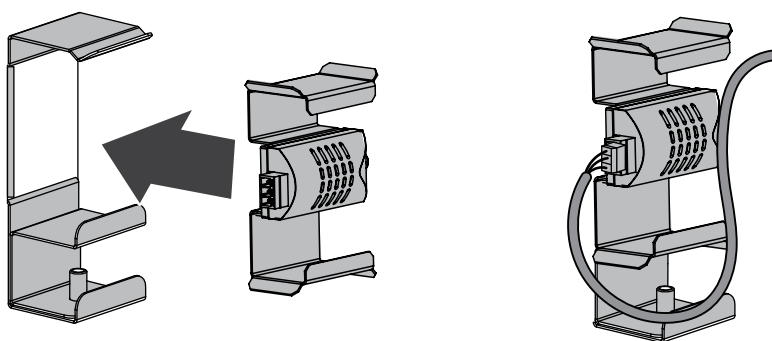
The humidity sensor is an accessory for units with an S14 or S21 automation and is not rated for standalone operation. The unit design is constantly being improved, thus some models may be slightly different from those described in this manual.



The following mounting options are possible depending on the unit model:

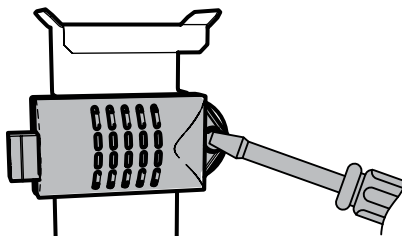
1. On the bracket in the exhaust air duct of the unit.

Open the unit and install the insert with the sensor on the bracket located in the exhaust air duct upstream of the heat exchanger. Connect the sensor connector to the connector with the cable from the control unit (installed by the manufacturer).

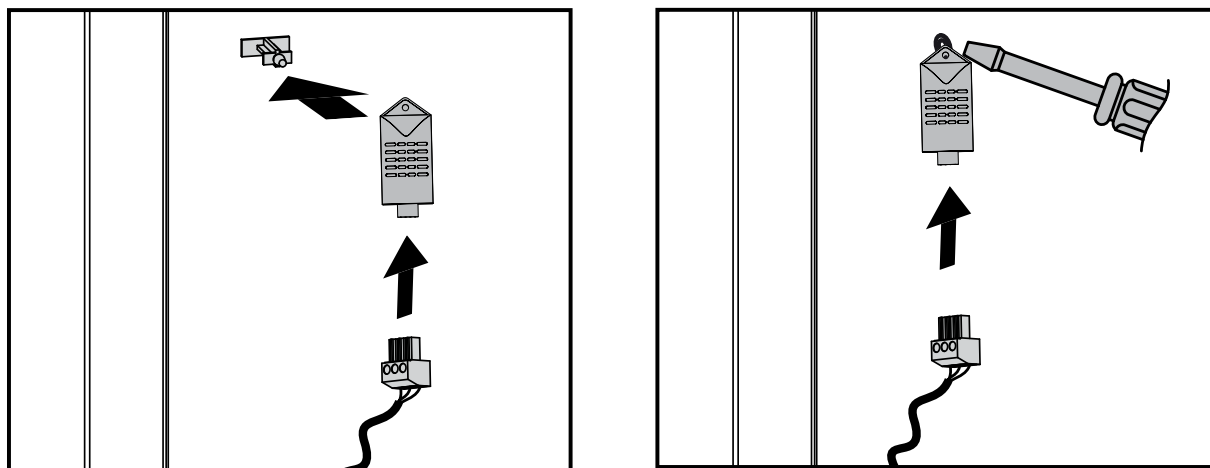


2. In the exhaust air duct of the unit on a threaded rivet or plastic support.

Remove the screw that secures the sensor to the bracket.



Fix the sensor in the exhaust air duct of the unit upstream of the heat exchanger. Connect the sensor connector to the connector with the cable of the control unit (installed by the manufacturer).





BLAUBERG
Ventilatoren

