



AIR HANDLING UNIT



Freshbox 110
Freshbox 110 K1
Freshbox 110 ERV
Freshbox 110 K1 ERV

EN

USER'S MANUAL



BLAUBERG
Ventilatoren

CONTENTS

Safety requirements.....	2
Purpose.....	4
Delivery set.....	4
Designation key.....	4
Technical data.....	5
Mounting and set-up.....	9
Connection to power mains	14
Control	15
Technical maintenance.....	16
Troubleshooting.....	17
Storage and transportation regulations.....	17
Manufacturer's warranty	18
Certificate of acceptance.....	19
Seller information	19
Installation certificate.....	19
Warranty card.....	19

This user's manual is a main operating document intended for technical, maintenance, and operating staff.

The manual contains information about purpose, technical details, operating principle, design, and installation of the Freshbox 110 (K1) (ERV) unit and all its modifications.

Technical and maintenance staff must have theoretical and practical training in the field of ventilation systems and should be able to work in accordance with workplace safety rules as well as construction norms and standards applicable in the territory of the country.

SAFETY REQUIREMENTS

All operations described in this manual must be performed by qualified personnel only, properly trained and qualified to install, make electrical connections and maintain ventilation units.

Do not attempt to install the product, connect it to the mains, or perform maintenance yourself.

This is unsafe and impossible without special knowledge.

Disconnect the power supply prior to any operations with the unit.

All user's manual requirements as well as the provisions of all the applicable local and national construction, electrical, and technical norms and standards must be observed when installing and operating the unit.

Disconnect the unit from the power supply prior to any connection, servicing, maintenance, and repair operations.

Only qualified electricians with a work permit for electrical units up to 1000 V are allowed for installation. The present user's manual should be carefully read before beginning works.

Check the unit for any visible damage of the impeller, the casing, and the grille before starting installation. The casing internals must be free of any foreign objects that can damage the impeller blades.

While mounting the unit, avoid compression of the casing! Deformation of the casing may result

in motor jam and excessive noise.

Misuse of the unit and any unauthorised modifications are not allowed.

Do not expose the unit to adverse atmospheric agents (rain, sun, etc.).

Transported air must not contain any dust or other solid impurities, sticky substances, or fibrous materials.

Do not use the unit in a hazardous or explosive environment containing spirits, gasoline, insecticides, etc.

Do not close or block the intake or extract vents in order to ensure the efficient air flow.

Do not sit on the unit and do not put objects on it.

The information in this user's manual was correct at the time of the document's preparation.

The Company reserves the right to modify the technical characteristics, design, or configuration of its products at any time in order to incorporate the latest technological developments.

Never touch the unit with wet or damp hands.

Never touch the unit when barefoot.

BEFORE INSTALLING ADDITIONAL EXTERNAL DEVICES, READ THE RELEVANT USER MANUALS.

This unit is not intended for use by persons (including children) with reduced physical, sensory or mental capabilities, or lack of experience and knowledge, unless they have been given supervision or instruction concerning use of the unit by a person responsible for their safety.

Children should be supervised to ensure that they do not play with the unit.

This appliance can be used by children aged from 8 years and above and persons with reduced physical, sensory or mental capabilities or lack of experience and knowledge if they have been given supervision or instruction concerning use of the appliance in a safe way and understand the hazards involved.

Cleaning and user maintenance shall not be made by children without supervision.

Children shall not play with the appliance.

Connection to the mains must be made through a disconnecting device, which is integrated into the fixed wiring system in accordance with the wiring rules for design of electrical units, and has a contact separation in all poles that allows for full disconnection under overvoltage category III conditions.

If the supply cord is damaged, it must be replaced by the manufacturer, its service agent, or similarly qualified persons in order to avoid a safety hazard.

Ensure that the unit is switched off from the supply mains before removing the guard.

Precautions must be taken to avoid the back-flow of gases into the room from the open flue of gas or other fuel-burning appliances.



**THE PRODUCT MUST BE DISPOSED SEPARATELY AT THE END OF ITS SERVICE LIFE.
DO NOT DISPOSE THE UNIT AS UNSORTED DOMESTIC WASTE**

PURPOSE

The unit is designed to ensure continuous mechanical air exchange in residential premises, offices, hotels, cafés, conference halls, and other public spaces as well as to recover the heat energy contained in the air extracted from the premises to warm up the filtered stream of supply air.

The unit is not intended for organizing ventilation in swimming pools, saunas, greenhouses, summer gardens and other spaces with high humidity.

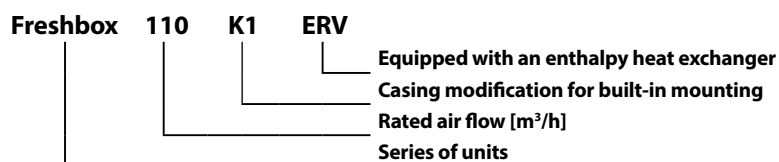
Due to the ability to save heating energy by means of energy recovery, the unit is an important element of energy-efficient premises. The unit is a component part and is not designed for stand-alone operation.

It is rated for continuous operation.

Transported air must not contain any flammable or explosive mixtures, evaporation of chemicals, sticky substances, fibrous materials, coarse dust, soot and oil particles or environments favourable for the formation of hazardous substances (toxic substances, dust, pathogenic germs).

DELIVERY SET

NAME	NUMBER	
	FRESHBOX 110 (ERV)	FRESHBOX 110 K1 (ERV)
Mounting	1	1
User's manual	1	1
Template	1	1
Fastening kit	1	1
Magnetic sheet	1	2
Key	1	1
Spigot	1	—
Packing box	1	1

DESIGNATION KEY

TECHNICAL DATA

The unit is designed for indoor application with the ambient temperature ranging from +1 °C up to +40 °C and relative humidity up to 60 % without condensation. In cold, damp rooms, there is a possibility of freezing or condensation inside and outside the casing.

In order to prevent condensation on the internal walls of the unit, it is necessary that the surface temperature of the casing is 2-3 °C above the dew point temperature of the transported air.

The unit should be operated continuously, and in cases where ventilation is not necessary, reduce the air flow of the fans to a minimum (20%). This will ensure a favorable indoor climate and reduce the amount of condensation inside the unit, which can damage electronic components. Never use the unit for dehumidification, for example, of new buildings.

The unit is rated as a Class I electrical appliance.

Hazardous parts access and water ingress protection rating:

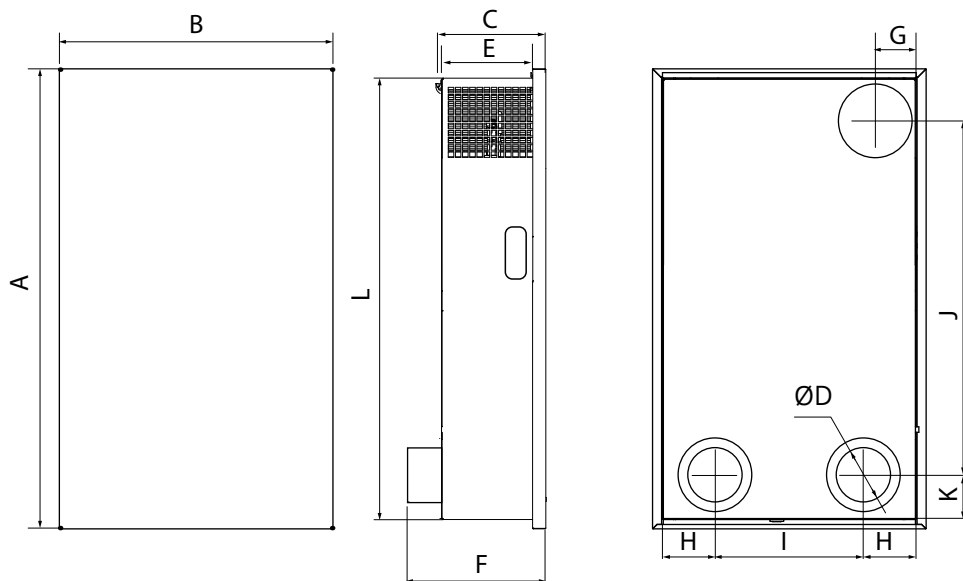
IP20 for the unit connected to the air ducts.

IP44 for the unit motors.

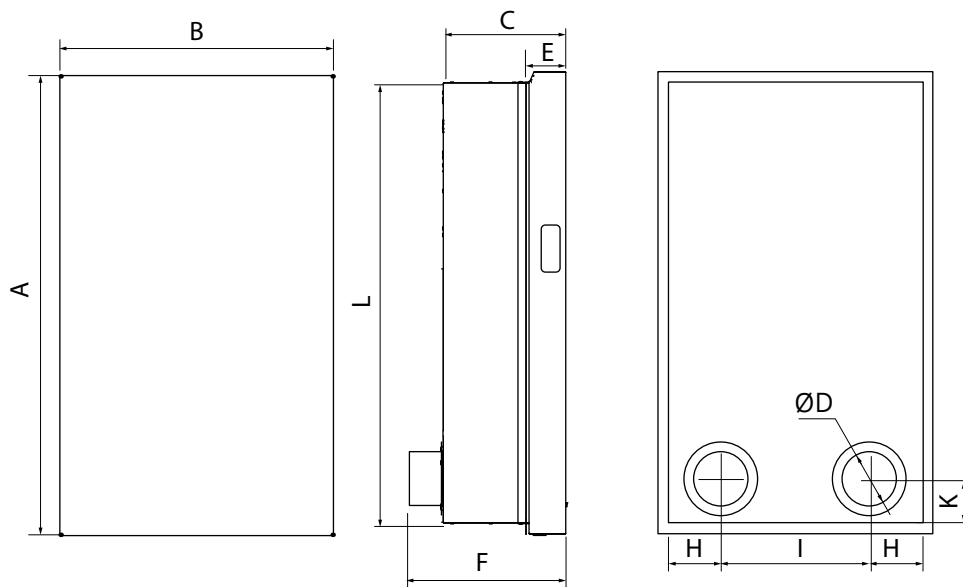
The unit design is constantly being improved, thus some models may be slightly different from those described in this manual.

PARAMETER	FRESHBOX 110			FRESHBOX 110 K1			FRESHBOX 110 ERV			FRESHBOX110K1ERV		
	1	2	3	1	2	3	1	2	3	1	2	3
Speed	1	2	3	1	2	3	1	2	3	1	2	3
Maximum air flow [m³/h]	30	60	100	30	60	100	30	60	100	30	60	100
Supply voltage, 50 (60) Hz [V]	1~230											
Unit power [W]	10	15	31	10	15	31	10	15	31	10	15	31
Maximum unit current [A]	0,26											
RPM [min ⁻¹]	3200											
Sound power level [dBA]	31	41	51	31	41	51	31	41	51	31	41	51
Sound pressure level at 1 m distance [dBA]	20	30	40	20	30	40	20	30	40	20	30	40
Sound pressure level at 3 m distance [dBA]	10	21	31	10	21	31	10	21	31	10	21	31
Transported air temperature [°C]	-15...+40											
Casing material	Painted steel			Painted steel, galvanized steel			Painted steel			Painted steel, galvanized steel		
Insulation [mm]	10											
Supply filter ISO 16890 / EN 779:2012	Coarse 90% / G4											
Extract filter ISO 16890 / EN 779:2012	Coarse 90% / G4, ePM1 65% / F7 (option)											
Heat recovery efficiency [%]	93	87	84	93	87	84	85	80	72	85	80	72
Humidity recovery efficiency [%]	-						45	39	29	45	39	29
Heat exchanger type	Counter-flow											
Heat exchanger material	Polystyrene						Enthalpy					
Connected air duct diameter [mm]	2x100 mm + 1x100 mm (option)			2x100 mm + 4x75 mm (option)			2x100 mm + 1x100 mm (option)			2x100 mm + 4x75 mm (option)		
Weight [kg]	20			23			20			23		
SEC class	A											

FRESHBOX 110 (ERV)

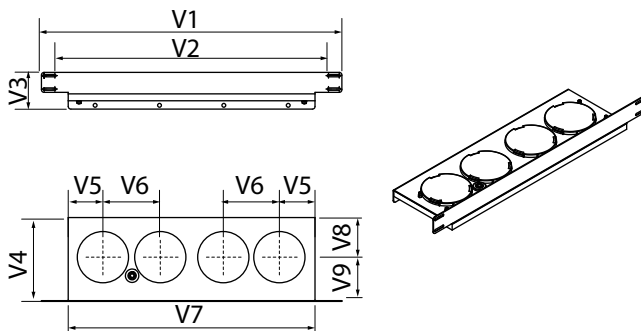


FRESHBOX 110 K1 (ERV)



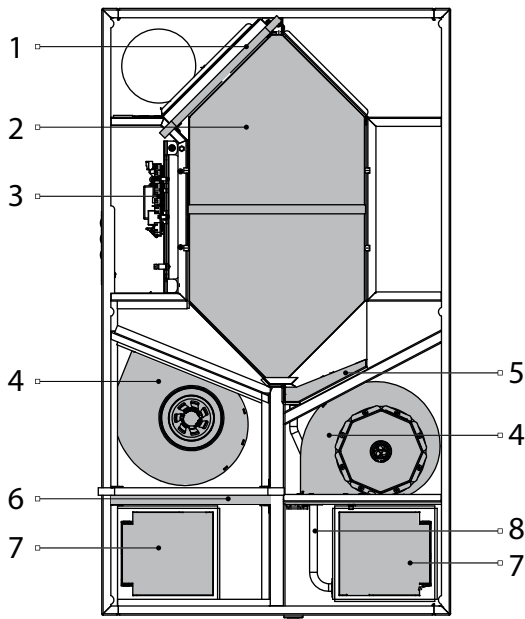
Model	Dimensions [mm]											
	Ø D	A	B	C	E	F	G	H	I	J	K	L
Freshbox 110 (ERV)	100	834	496	195	165	251	75	95	270	644	81	800
Freshbox 110 K1 (ERV)		840	500	224	67	284	—			—		800

Mounting plate for FRESHBOX 110 K1 (ERV)



Dimensions [mm]								
V1	V2	V3	V4	V5	V6	V7	V8	V9
570	510	79	156	67	104	460	73	82

DESIGN AND OPERATING PRINCIPLE



- 1: extract filter
- 2: heat exchanger
- 3: control unit
- 4: fan unit
- 5: drain pan
- 6: supply filter
- 7: damper with an electric actuator ()
- 8: condensate drain pipe (Freshbox 110 (K1))

Extract air from the room flows to the unit, where it is filtered by the extract filter, then air flows through the heat exchanger and is exhausted outside by the extract fan.

Intake air from outside flows into the unit, where it is cleaned by the supply filter. Then filtered air flows through the heat exchanger and is moved to the room with the supply fan.

Thermal energy of warm extract air is transferred to clean intake fresh air from outside and warms it up. The air flows are fully separated. Heat recovery minimizes heat losses, which reduces the cost of space heating in the cold season.

Frost protection of the heat exchanger (danger of freezing appears when the exhaust air temperature downstream of the heat exchanger is lower than +5 °C) is provided by automatically switching off the supply fan.

The frost protection mode of the heat exchanger is deactivated at an air temperature above +7 °C.

Frost protection is only possible in heat recovery mode.

The Freshbox 110 (ERV) units provide for the installation of an exhaust spigot (Ø 100 mm) for servicing another room. The spigot is included in the delivery set.

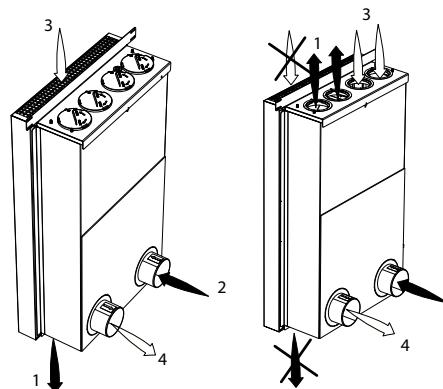
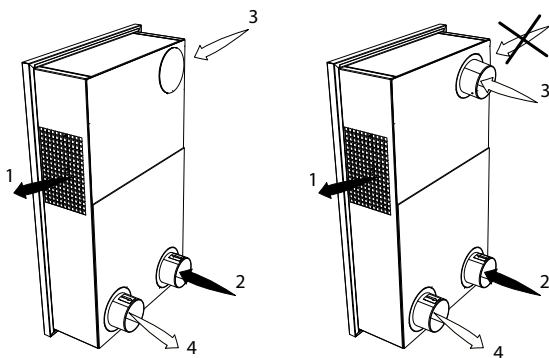
The exhaust grille must be covered with the magnetic plug supplied.

The Freshbox 110 K1 (ERV) units provide for the connection of FlexiVent 75 air ducts.

When using a mounting plate, the exhaust and supply grilles must be closed with the magnetic plugs included in the delivery set.

Freshbox 110 (ERV)

Freshbox 110 K1 (ERV) with mounting plate



- 1 – supply air
- 2 – intake air
- 3 – extract air
- 4 – exhaust air

MOUNTING AND SET-UP



**READ THE USER'S MANUAL BEFORE INSTALLING THE UNIT.
BEFORE INSTALLING ADDITIONAL EXTERNAL DEVICES,
READ THE RELEVANT USER MANUALS**



**WHILE INSTALLING THE UNIT ENSURE CONVENIENT ACCESS FOR SUBSEQUENT
MAINTENANCE AND REPAIR.**

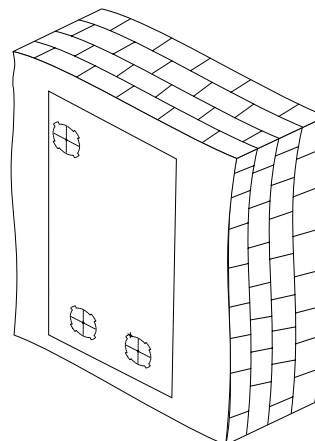
Freshbox 110 (ERV)

The delivery set includes a mounting template for marking the holes.

Fix the mounting template at the required level on the wall.

Mark the holes for the air ducts and holes for mounting the unit.

Before installation operations route necessary cables and wires to the unit mounting place.



Remove the mounting template and drill two through holes \varnothing 120 mm in the wall for the air ducts.

When mounting the unit with an extract spigot prepare a hole in the wall for a connecting bend and for laying of a rectangular air duct.

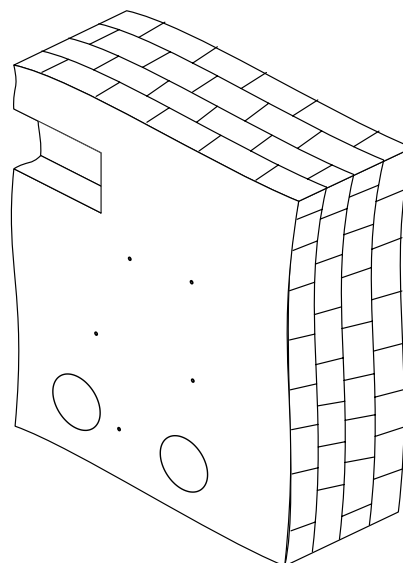
A connecting bend, rectangular and round air ducts are available separately.

Drill \varnothing 8 mm holes to mount the unit.

Install the expansion anchors, remove the perforated fillers for the air ducts from the mounting template and install the mounting template back.

Prepare air ducts of required length. Note that the telescopic air duct end must protrude for the distance that enables installation of the outer ventilation hood. For details, refer to the installation instruction for the ventilation hood.

The outer ventilation hood is available separately.

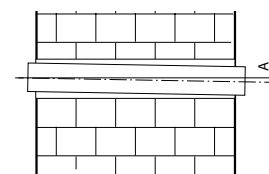
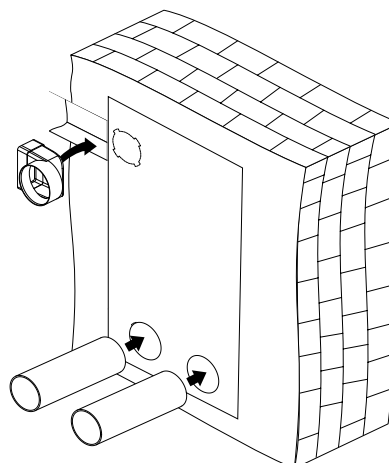


Insert the air ducts in the corresponding holes of the mounting template. Install the air duct A with the minimum slope of 3 mm for condensate removal.

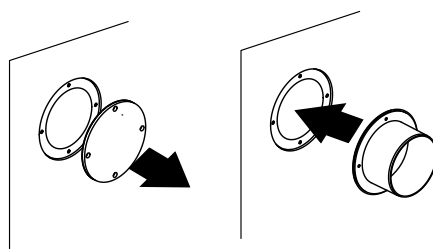
To install the unit with an additional spigot, insert the connecting bend into the prepared hole in the wall, aligning the mounting template hole with a round end of the connecting bend. Connect a rectangular duct to the connecting bend. Fill the gaps between the air ducts and the wall with a mounting foam.

Wait till the mounting foam hardens then take off the mounting template and remove the foam excess.

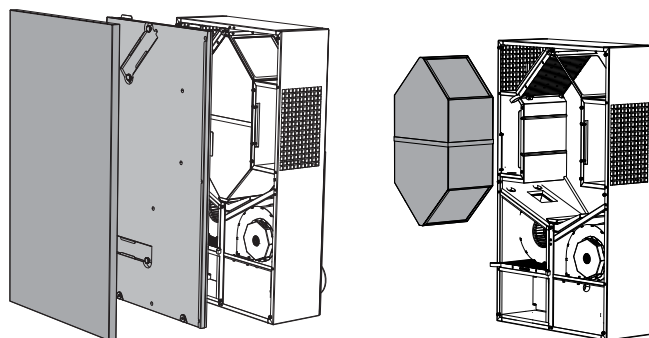
Cut off the protruding air duct parts to be flush with the wall surface.



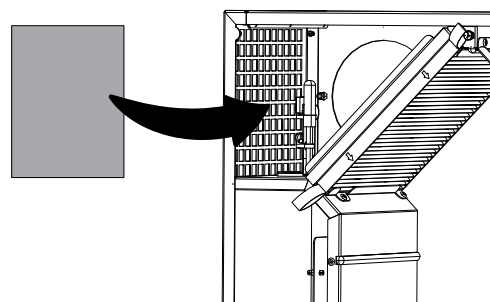
To install an extract spigot, remove the plug on the rear part of the unit.
Undo the screws, remove the plug and fix a spigot on its place.



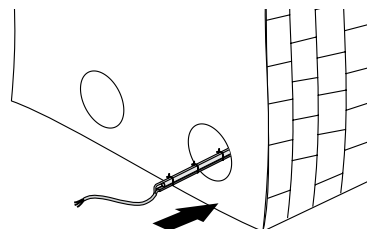
To access the mounting holes, remove the decorative panel, unscrew the screws and remove the protective panel, remove the heat exchanger.



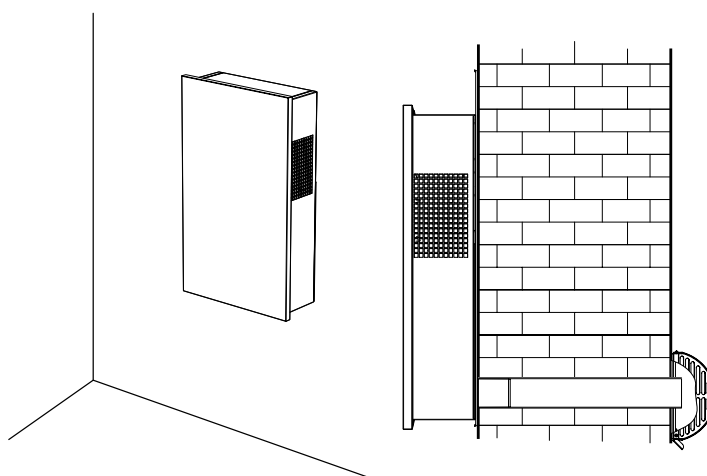
If an optional exhaust spigot is installed, install a magnetic plug on the exhaust grille.



For Freshbox 110 units it is recommended to use a condensate drain pipe heater (not included in the delivery set).
The heater must be installed before fixing the unit to the wall (see the heater installation manual).

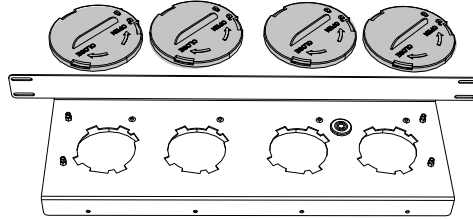


Lift the unit, insert the spigots into the air ducts installed in the wall.
Fix the unit using the supplied screws.
The unit is secured with five screws.
Install the heat exchanger, protective and decorative panels.
Mount an outer ventilation hood (not included in the delivery set).



FRESHBOX 110 K1 (ERV)

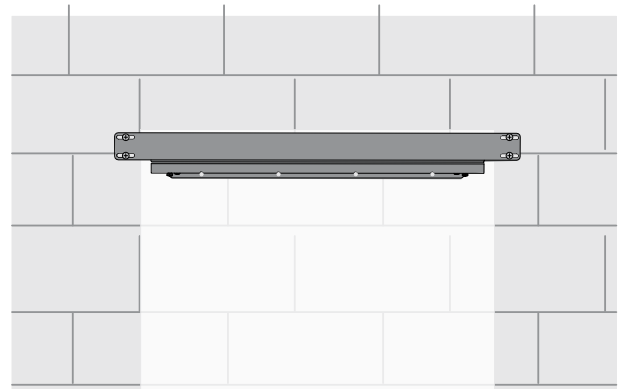
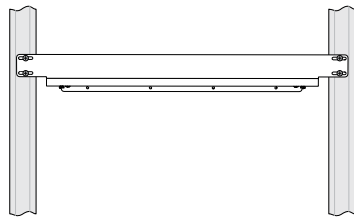
The Freshbox 110 K1 (ERV) units are designed for built-in wall mounting. Before installation, it is necessary to fix the mounting plate in the niche. If FlexiVent air ducts are to be used, prepare the necessary cavities for the air ducts in the solid wall beforehand. Lay the air ducts in the wall, remove the plugs from the plate and connect the air ducts.



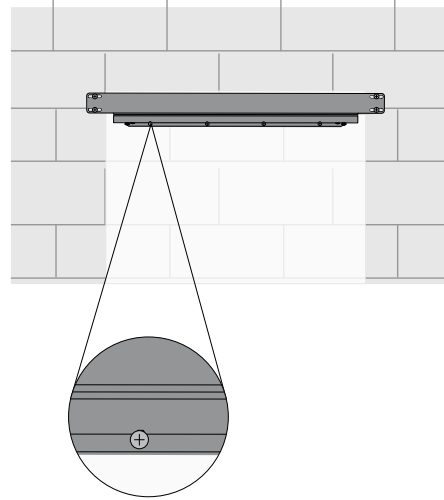
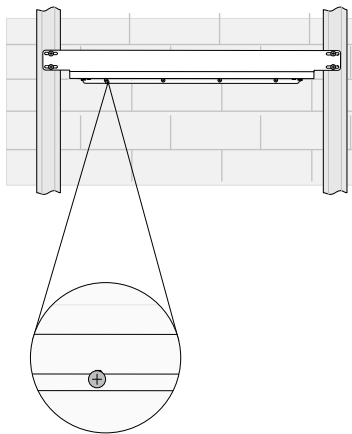
Before installing the plate, it is necessary to lead the wires through the cable gland.

For a frame wall, two vertical profiles must be mounted in advance, between which a mounting plate is mounted horizontally. Use self-tapping metal screws for fastening.

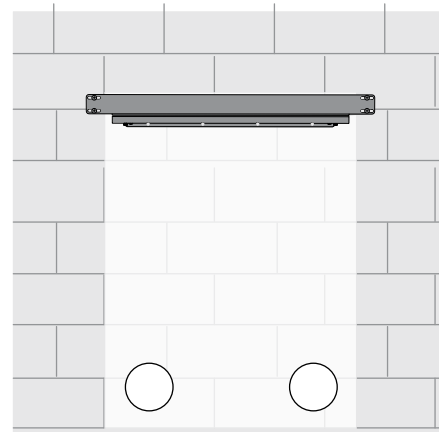
In the niche of a solid wall, fix the plate with self-tapping screws into the pre-installed dowels.



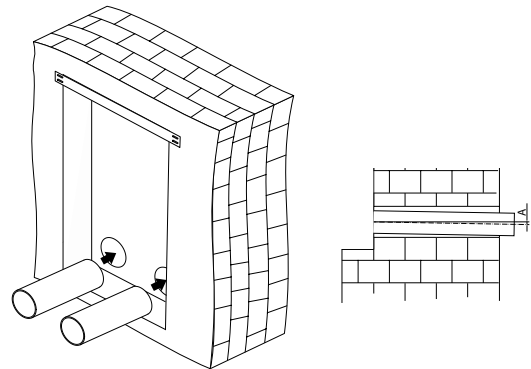
To securely fix the plate, it is recommended to fix it with self-tapping screws to a horizontal profile or wall.



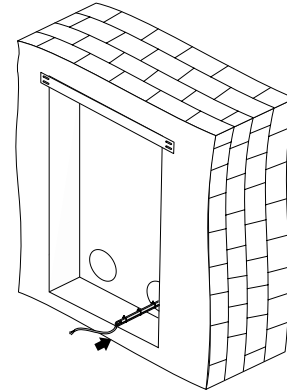
Drill two Ø 120 mm holes in the wall for air ducts.



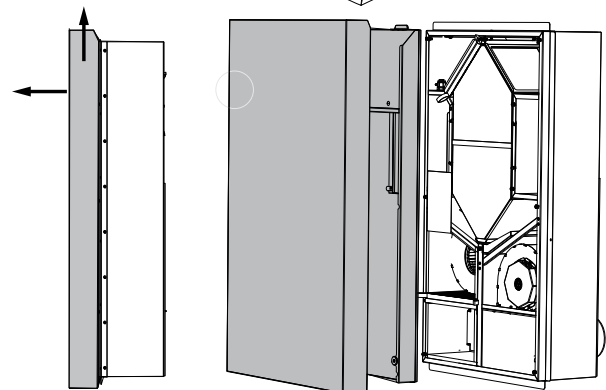
Insert the air ducts into the holes.
 Install the air duct A with the minimum slope of 3 mm for condensate removal.
 Fill the gaps between the air ducts and the wall with a mounting foam.
 Wait till the mounting foam hardens then take off the mounting template and remove the foam excess.
 Cut off the protruding air duct parts to be flush with the wall surface.



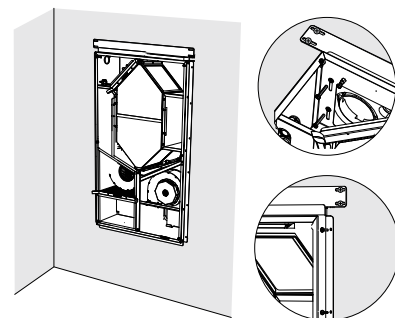
For Freshbox 110 K1 units it is recommended to use a condensate drain pipe heater (not included in the delivery set).
 The heater must be installed before fixing the unit to the mounting plate (see the heater installation manual).



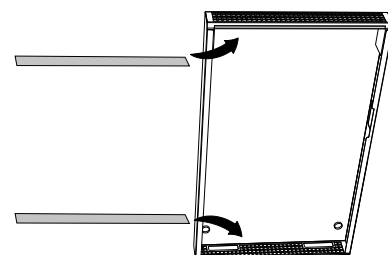
To access the mounting holes, remove the decorative and protective panel.
 To remove the protective panel, it is necessary to remove the filter covers, unscrew the screws and disconnect the control panel from the controller.



Lift the unit, insert the spigots into the air ducts installed in the wall.
 Fix the unit with screws on the mounting plate.
 Screw the mounting flange to the uprights or wall with self-tapping screws.



If flexible air ducts are used, then the exhaust and supply grilles of the decorative panel must be covered with magnetic plates.

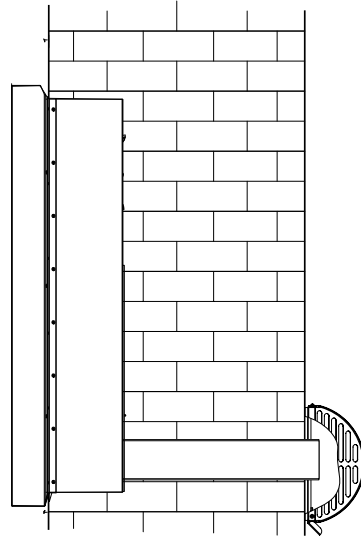


Install the protective and the decorative panels.


WARNING!

When installing the decorative panel, make sure it hooks into the brackets to prevent it from falling off.

Mount an outer ventilation hood (not included in the delivery set).

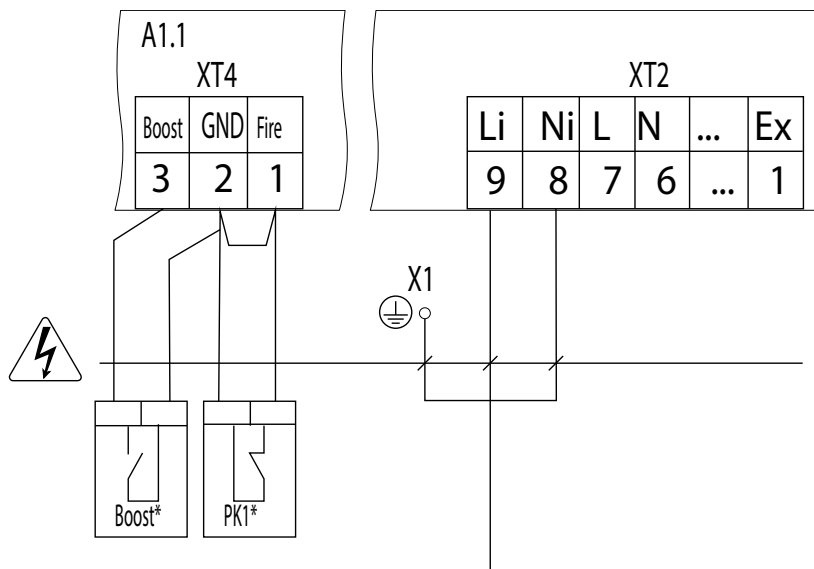


CONNECTION TO POWER MAINS




**POWER OFF THE POWER SUPPLY PRIOR TO ANY OPERATIONS WITH THE UNIT.
THE UNIT MUST BE CONNECTED TO POWER SUPPLY BY A QUALIFIED ELECTRICIAN.
THE RATED ELECTRICAL PARAMETERS OF THE UNIT ARE GIVEN ON THE
MANUFACTURER'S LABEL.**

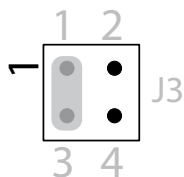
The connection must be made using durable, insulated and heat-resistant conductors (cables, wires).
 The actual wire cross section selection must be based on the maximum load current, maximum conductor temperature depending on the wire type, insulation, length and installation method.
 The external power input must be equipped with an automatic circuit breaker built into the stationary wiring to open the circuit in the event of overload or short-circuit.
 The position of the external circuit breaker must ensure free access for quick unit power-off.
 The trip current of the automatic circuit breaker must exceed the maximum current consumption of the unit (refer to the "Technical data" section or to the unit label).
 It is recommended to select the nominal current of the circuit breaker from the standard series, following the maximum current of the connected unit.
 The circuit breaker is not included in the delivery set and can be ordered separately.
 The device contacts are connected in the control unit.
 To access the control unit, remove the decorative panel, unscrew the screws and remove the protective panel.



Designation	Name	Cable	Note
PK1*	Contact from fire alarm panel	2x0.5 mm ²	Remove the jumper
Boost*	Contacts On/Off of the Boost mode	2x0.5 mm ²	

 — Electric shock hazard!

The contact block J3 is located on the controller board.
 Using the DIP switch, you can set the operation of the unit in summer ventilation mode

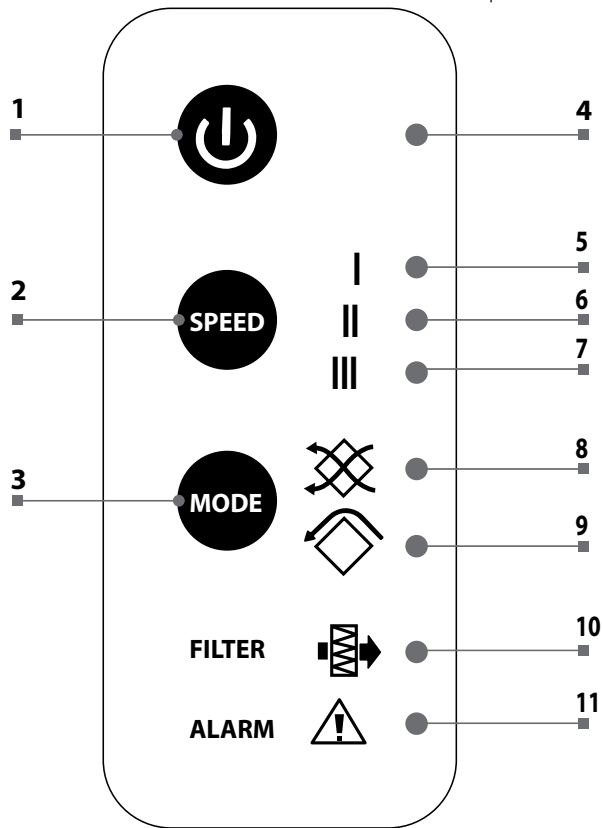


DIP SWITCH POSITIONS

- 1-3: the unit works only in the heat recovery mode
- 1-2: in the summer ventilation mode, the exhaust fan is turned off
- 3-4: in the summer ventilation mode, the supply fan is turned off

CONTROL

Ventilation units are controlled via a sensor control panel on the unit casing.



1 – Switching the unit on/off.
If the unit is on, the indicator 4 lights up.

2 - button for switching speeds.
The indicators 5-7 indicate the current operating speed.

3 - button for switching operating modes.
If the indicator 8 is on, the unit is operating in the heat recovery mode. If the indicator 9 is on, the unit is operating in the summer ventilation mode.

10 – filter replacement indicator.

11 – alarm indicator.

TECHNICAL MAINTENANCE

Maintenance operations of the unit are required 3-4 times per year. Maintenance includes periodic dust removal from surfaces, cleaning or replacement of filters (when necessary) and dry cleaning of fans.

Maintenance includes general cleaning of the unit and the following operations:

1. Filter maintenance (3-4 times per year).

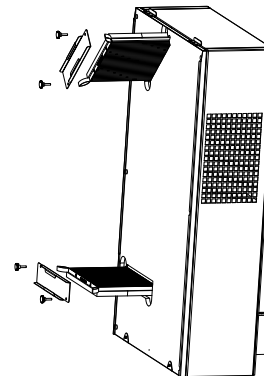
Dirty filters reduce supply air volume.

For cleaning, remove the decorative panel and the dirty filters from the unit and clean them with a vacuum cleaner.

Install the filters back to the unit.

The filters require cleaning not less than 3-4 times per year.

For new filters, contact the Seller.



2. Heat exchanger maintenance (once a year).

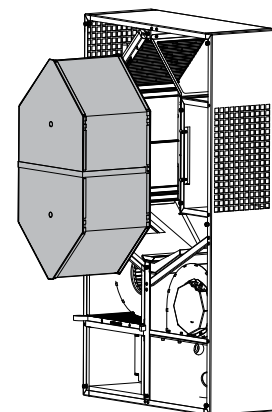
Some dust may accumulate on the heat exchanger block even in case of regular maintenance of the filters.

To maintain the high heat recovery efficiency, regular cleaning is required.

Periodical dry cleaning is recommended. Use a vacuum cleaner with a narrow nozzle.

Remove the protective panels.

Remove the clogged heat exchanger out of the unit, clean it with a vacuum cleaner and install the heat exchanger back to the unit.



3. Fan maintenance (once a year).

Even in case of regular maintenance of the filters, some dust may accumulate inside the fans and reduce the fan performance and supply air flow.

Clean the fan with a cloth or a soft brush. Do not use water, aggressive solvents, or sharp objects as they may damage the impeller.

4. Technical maintenance of air duct system (every 5 years).

Even regular fulfilling of all the prescribed above maintenance operations may not completely prevent dirt accumulation in the air ducts which reduces the unit capacity.

Duct maintenance means regular cleaning or replacement.

TROUBLESHOOTING

PROBLEM	POSSIBLE REASONS	TROUBLESHOOTING
The fan(s) do(es) not get started.	No power supply.	Make sure that the unit is properly connected to the power mains and make any corrections, if necessary.
Cold supply air.	Extract filter clogging.	Clean or replace the extract filter.
	Heat exchanger icing.	Check the heat exchanger for icing. Stop the unit operation if necessary and wait until the ice melts.
Low air flow.	Filters, fans or the heat exchanger are soiled.	Clean or replace the filters, clean the fans and the heat exchanger.
	The ventilation system is soiled or damaged.	Check the opening of diffusers and louvre shutters. Check the exhaust hood and the supply grille and clean those, if necessary. Make sure the air ducts are clean and intact.
Noise, vibration.	The fan impeller is soiled.	Clean the impellers.
	The screw connection is loose.	Tighten the fastening screws.

STORAGE AND TRANSPORTATION REGULATIONS

- Store the unit in the manufacturer's original packaging box in a dry closed ventilated premise with temperature range +5...+40 °C and relative humidity up to 70 %.
- Storage environment must not contain aggressive vapors and chemical mixtures provoking corrosion, insulation, and sealing deformation.
- Use suitable hoist machinery for handling and storage operations to prevent possible damage to the unit.
- Follow the handling requirements applicable for the particular type of cargo.
- The unit can be carried in the original packaging by any mode of transport provided proper protection against precipitation and mechanical damage. The unit must be transported only in the working position.
- Avoid sharp blows, scratches, or rough handling during loading and unloading.
- Prior to the initial power-up after transportation at low temperatures, allow the unit to warm up at operating temperature for at least 3-4 hours.

MANUFACTURER'S WARRANTY

The product is in compliance with EU norms and standards on low voltage guidelines and electromagnetic compatibility. We hereby declare that the product complies with the provisions of Electromagnetic Compatibility (EMC) Directive 2014/30/EU of the European Parliament and of the Council, Low Voltage Directive (LVD) 2014/35/EU of the European Parliament and of the Council and CE-marking Council Directive 93/68/EEC. This certificate is issued following test carried out on samples of the product referred to above.

The manufacturer hereby warrants normal operation of the unit for 24 months after the retail sale date provided the user's observance of the transportation, storage, installation, and operation regulations. Should any malfunctions occur in the course of the unit operation through the Manufacturer's fault during the guaranteed period of operation, the user is entitled to get all the faults eliminated by the manufacturer by means of warranty repair at the factory free of charge. The warranty repair includes work specific to elimination of faults in the unit operation to ensure its intended use by the user within the guaranteed period of operation. The faults are eliminated by means of replacement or repair of the unit components or a specific part of such unit component.

The warranty repair does not include:

- routine technical maintenance
- unit installation/dismantling
- unit setup

To benefit from warranty repair, the user must provide the unit, the user's manual with the purchase date stamp, and the payment paperwork certifying the purchase. The unit model must comply with the one stated in the user's manual. Contact the Seller for warranty service.

The manufacturer's warranty does not apply to the following cases:

- User's failure to submit the unit with the entire delivery package as stated in the user's manual including submission with missing component parts previously dismantled by the user.
- Mismatch of the unit model and the brand name with the information stated on the unit packaging and in the user's manual.
- User's failure to ensure timely technical maintenance of the unit.
- External damage to the unit casing (excluding external modifications as required for installation) and internal components caused by the user.
- Redesign or engineering changes to the unit.
- Replacement and use of any assemblies, parts and components not approved by the manufacturer.
- Unit misuse.
- Violation of the unit installation regulations by the user.
- Violation of the unit control regulations by the user.
- Unit connection to power mains with a voltage different from the one stated in the user's manual.
- Unit breakdown due to voltage surges in power mains.
- Discretionary repair of the unit by the user.
- Unit repair by any persons without the manufacturer's authorization.
- Expiration of the unit warranty period.
- Violation of the unit transportation regulations by the user.
- Violation of the unit storage regulations by the user.
- Wrongful actions against the unit committed by third parties.
- Unit breakdown due to circumstances of insuperable force (fire, flood, earthquake, war, hostilities of any kind, blockades).
- Missing seals if provided by the user's manual.
- Failure to submit the user's manual with the unit purchase date stamp.
- Missing payment paperwork certifying the unit purchase.



FOLLOWING THE REGULATIONS STIPULATED HEREIN WILL ENSURE A LONG AND TROUBLE-FREE OPERATION OF THE UNIT.



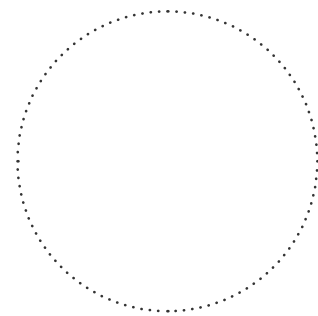
USER'S WARRANTY CLAIMS SHALL BE SUBJECT TO REVIEW ONLY UPON PRESENTATION OF THE UNIT, THE PAYMENT DOCUMENT AND THE USER'S MANUAL WITH THE PURCHASE DATE STAMP.

CERTIFICATE OF ACCEPTANCE

Unit Type	Air handling unit
Model	
Serial Number	
Manufacture Date	
Quality Inspector's Stamp	

SELLER INFORMATION

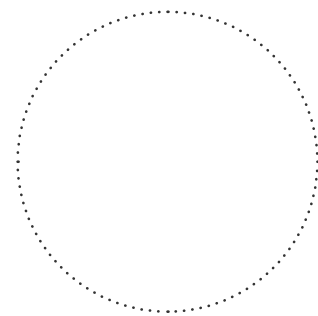
Seller	
Address	
Phone Number	
E-mail	
Purchase Date	
This is to certify acceptance of the complete unit delivery with the user's manual. The warranty terms are acknowledged and accepted.	
Customer's Signature	



Seller's Stamp

INSTALLATION CERTIFICATE

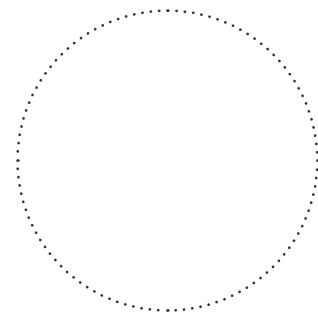
The _____ unit is installed pursuant to the requirements stated in the present user's manual.	
Company name	
Address	
Phone Number	
Installation Technician's Full Name	
Installation Date:	Signature:
The unit has been installed in accordance with the provisions of all the applicable local and national construction, electrical and technical codes and standards. The unit operates normally as intended by the manufacturer.	
Signature:	



Installation Stamp

WARRANTY CARD

Unit Type	Air handling unit
Model	
Serial Number	
Manufacture Date	
Purchase Date	
Warranty Period	
Seller	



Seller's Stamp



BLAUBERG
Ventilatoren

