



HEAT RECOVERY AIR HANDLING UNIT



KOMFORT LE350-3
KOMFORT LE500-3
KOMFORT LE530-4
KOMFORT LE600-4
KOMFORT LE800-9
KOMFORT LE1200-9
KOMFORT LE1700-18
KOMFORT LE2200-18

EN

USER'S MANUAL



BLAUBERG
Ventilatoren

CONTENTS

Purpose.....	4
Delivery set.....	4
Designation key.....	4
Technical data.....	5
Design and operating principle.....	7
Mounting and set-up.....	9
Connection to power mains.....	11
Technical maintenance.....	12
Storage and transportation regulations.....	13
Manufacturer's warranty.....	14
Certificate of acceptance.....	15
Seller information.....	15
Installation certificate.....	15
Warranty card.....	15

This user's manual is a main operating document intended for technical, maintenance, and operating staff.

The manual contains information about purpose, technical details, operating principle, design, and installation of the KOMFORT LE350/500/530/600/800/1200/1700/2200-3/4/9/18 unit and all its modifications.

Technical and maintenance staff must have theoretical and practical training in the field of ventilation systems and should be able to perform works in accordance with workplace safety rules as well as construction norms and standards applicable in the territory of the country.

The information in this user's manual is correct at the time of the document's preparation.

The Company reserves the right to modify the technical characteristics, design, or configuration of its products at any time in order to incorporate the latest technological developments.

No part of this publication may be reproduced, stored in a retrieval system, or transmitted, in any form or by any means in any information search system or translated into any language in any form without the prior written permission of the Company.

SAFETY REQUIREMENTS

- Please read the user's manual carefully prior to installing and operating the unit.
- All user's manual requirements as well as the provisions of all the applicable local and national construction, electrical, and technical norms and standards must be observed when installing and operating the unit.
- The warnings contained in the user's manual must be considered most seriously since they contain vital personal safety information.
- Failure to follow the rules and safety precautions noted in this user's manual may result in an injury or unit damage.
- After a careful reading of the manual, keep it for the entire service life of the unit.
- While transferring the unit control, the user's manual must be turned over to the receiving operator.

UNIT INSTALLATION AND OPERATION SAFETY PRECAUTIONS



- Disconnect the unit from power mains prior to any installation operations.



- Unpack the unit with care.



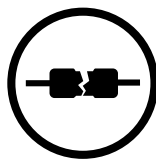
- The unit must be grounded!



- While installing the unit, follow the safety regulations specific to the use of electric tools.



- Do not change the power cable length at your own discretion. Do not bend the power cable. Avoid damaging the power cable. Do not put any foreign objects on the power cable.



- Do not use damaged equipment or cables when connecting the unit to power mains.



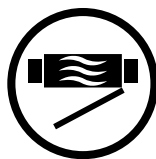
- Do not touch the unit controls with wet hands. Do not carry out the installation and maintenance operations with wet hands.



- Do not allow children to operate the unit.



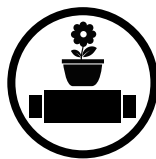
- Do not store any explosive or highly flammable substances in close proximity to the unit.



- Do not open the unit during operation.



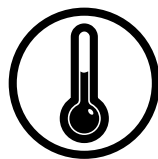
- Do not block the air duct when the unit is switched on.



- Do not sit on the unit and avoid placing foreign objects on it.



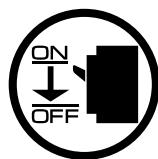
- Do not lay the power cable of the unit in close proximity to heating equipment.



- Do not operate the unit outside the temperature range stated in the user's manual. Do not operate the unit in aggressive or explosive environments.



- Do not wash the unit with water. Protect the electric parts of the unit against ingress of water.



- Disconnect the unit from power mains prior to any technical maintenance.



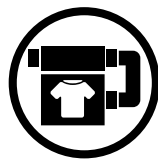
- When the unit generates unusual sounds, odour, or emits smoke, disconnect it from power supply and contact the Seller.



- Do not direct the air flow produced by the unit towards open flame or ignition sources.



- In case of continuous operation of the unit, periodically check the security of mounting.



- Use the unit only for its intended purpose.



**THE PRODUCT MUST BE DISPOSED SEPARATELY AT THE END OF ITS SERVICE LIFE.
DO NOT DISPOSE THE UNIT AS UNSORTED MUNICIPAL WASTE.**

PURPOSE

Due to the ability to save heating energy by means of energy recovery, the unit is an important element of energy saving technologies for buildings.

The unit is a component part and is not designed for stand-alone operation.

The unit is designed to ensure continuous mechanical air exchange in houses, offices, hotels, cafés, conference halls, and other residential and public spaces as well as to recover the heat energy contained in the air extracted from the premises to warm up the filtered stream of supply air.



THE UNIT SHOULD NOT BE OPERATED BY CHILDREN OR PERSONS WITH REDUCED PHYSICAL, MENTAL, OR SENSORY CAPACITIES, OR THOSE WITHOUT THE APPROPRIATE TRAINING.

THE UNIT MUST BE INSTALLED AND CONNECTED ONLY BY PROPERLY QUALIFIED PERSONNEL AFTER THE APPROPRIATE BRIEFING.

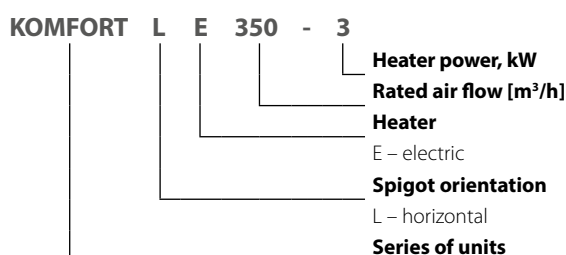
THE CHOICE OF UNIT INSTALLATION LOCATION MUST PREVENT UNAUTHORIZED ACCESS BY UNATTENDED CHILDREN.

The unit is rated for continuous operation. Transported air must not contain any flammable or explosive mixtures, evaporation of chemicals, sticky substances, fibrous materials, coarse dust, soot and oil particles or environments favorable for the formation of hazardous substances (toxic substances, dust, pathogenic germs).

DELIVERY SET

Name	Number
Air handling unit	1 pc.
User's manual	1 pc.
Control panel user's manual	1 pc.
Control panel	1 pc.
Packing box	1 pc.

DESIGNATION KEY



TECHNICAL DATA

The unit is designed for indoor application with the ambient temperature ranging from +1 °C up to +40 °C and relative humidity up to 80 %.

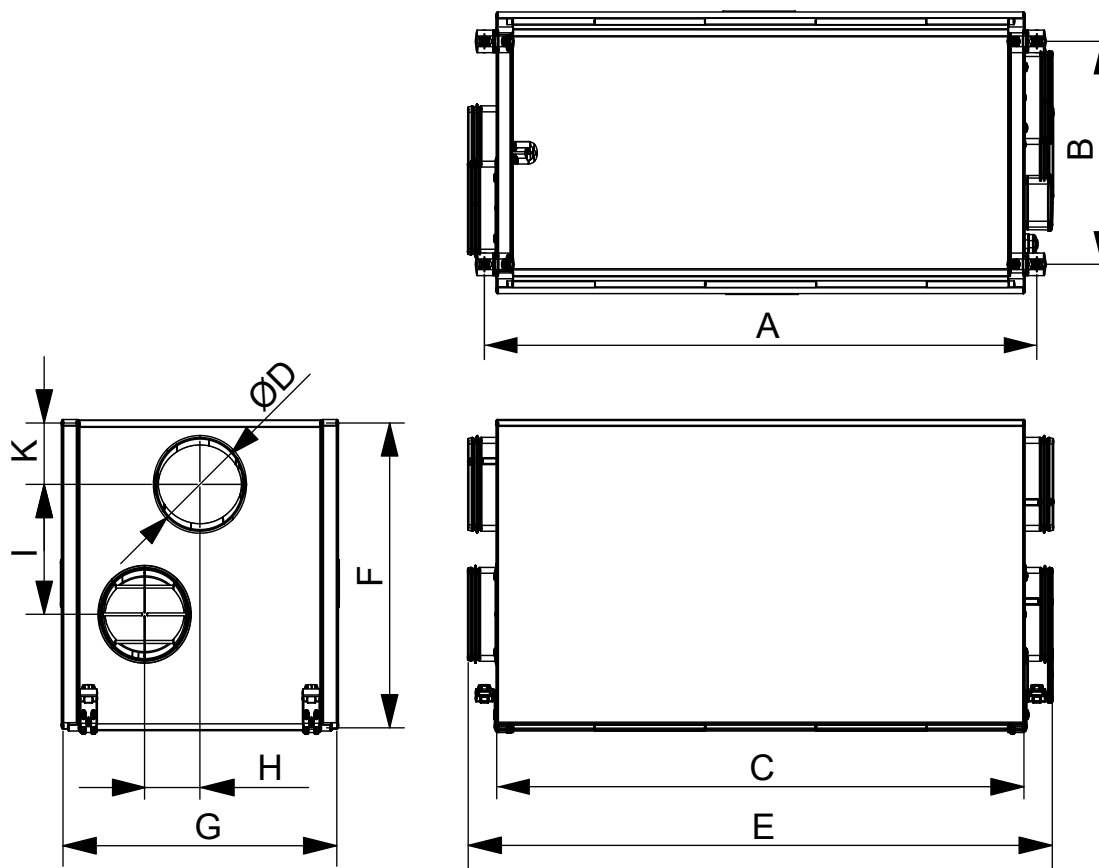
The unit is rated as a Class I electrical appliance.

Hazardous parts access and water ingress protection rating:

- IP44 for the unit motors
- IP22 for the assembled unit connected to the air ducts

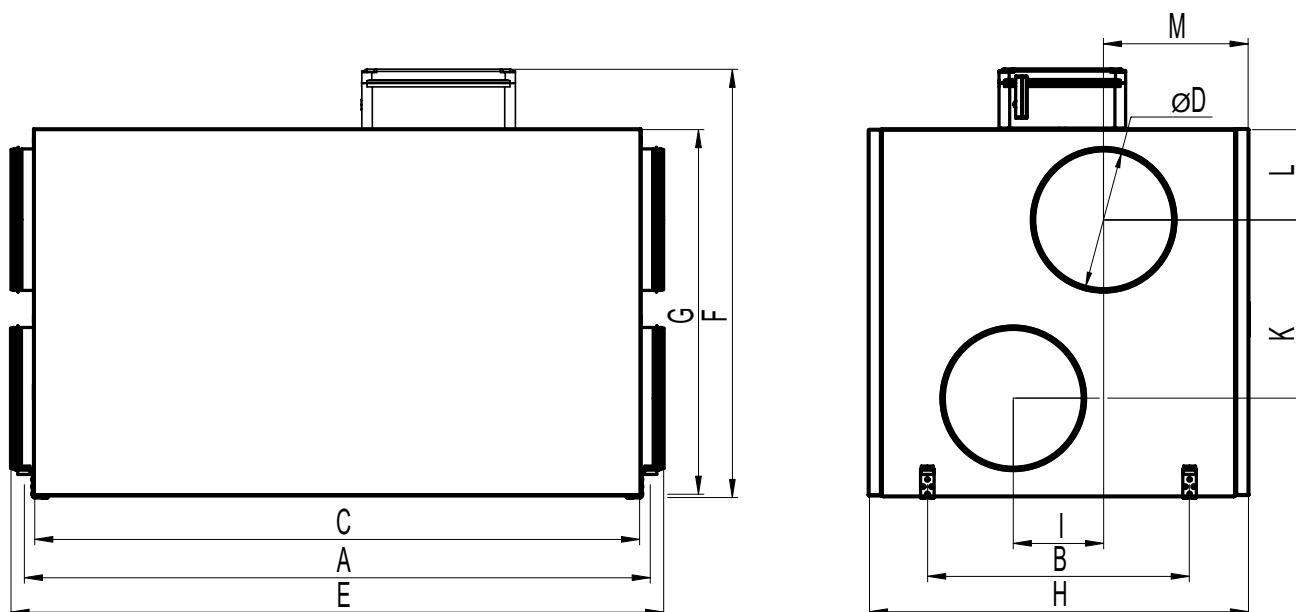
The unit design is constantly being improved, thus some models may be slightly different from those described in this manual.

OVERALL DIMENSIONS OF THE UNIT [MM]



KOMFORT LE350...600

Model	Dimensions [mm]									
	A	B	C	D	E	F	G	H	I	K
KOMFORT LE350-3	996	403	954	124	1060	554	500	100	230	111
KOMFORT LE500-3	996	403	954	149	1060	554	500	100	230	111
KOMFORT LE530-4	996	403	954	159	1060	554	500	100	230	111
KOMFORT LE600-4	996	403	954	199	1060	554	500	100	230	111



KOMFORT LE800...2200

Model	Dimensions [mm]											
	A	B	C	D	E	F	G	H	I	K	L	M
KOMFORT LE800-9	1117	460	1071	249	1176	832	698	613	80	126	154	386
KOMFORT LE1200-9	1117	460	1071	249	1176	832	698	613	80	126	154	386
KOMFORT LE1700-18	1394	581	1345	314	1447	947	814	842	200	394	201	320
KOMFORT LE2200-18	1394	581	1345	314	1447	947	814	842	200	394	201	320

TECHNICAL DATA

Model	KOMFORT LE350-3	KOMFORT LE500-3	KOMFORT LE530-4	KOMFORT LE600-4	KOMFORT LE800-9	KOMFORT LE1200-9	KOMFORT LE1700-18	KOMFORT LE2200-18
	Voltage [V/50 Hz]	1~230				3~400		
Maximum fan power [W]	2 pcs. x 130	2 pcs. x 150	2 pcs. x 150	2 pcs. x 195	2 pcs. x 245	2 pcs. x 410	2 pcs. x 490	2 pcs. x 650
Maximum fan current [A]	2 pcs. x 0.60	2 pcs. x 0.66	2 pcs. x 0.66	2 pcs. x 0.86	2 pcs. x 1.08	2 pcs. x 1.8	2 pcs. x 2.15	2 pcs. x 2.84
Electric heater power [kW]	3.0	3.0	4.0	4.0	9.0	9.0	18.0	18.0
Electric heater current [A]	13	13	17.4	17.4	13	13	26	26
Total unit power [kW]	3.26	3.3	4.3	4.39	9.49	9.8	18.98	19.30
Total unit current [A]	14.2	14.32	18.72	19.1	15.16	16.6	30.3	31.7
Max. air flow [m ³ /h]	350	500	530	600	800	1200	1750	2200
RPM [min ⁻¹]	1150	1100	1100	1350	1650	1850	1100	1150
Sound pressure level at 3 m distance [dBA]	24-45	28-47	28-47	32-48	48	60	49	65
Transported air temperature [°C]	-25...+55	-25...+50	-25...+50	-25...+55	-25...+45	-25...+40	-25...+45	-25...+40
Casing material	Aluzinc							
Insulation	25 mm mineral wool							
Filter:	extract	G4						
	supply	G4						
Connected air duct diameter [mm]	Ø 125	Ø 150	Ø 160	Ø 200	Ø 250		Ø 315	
Weight [kg]	45	49	49	54	85		96	
Heat recovery efficiency	Up to 78	Up to 88	Up to 88	Up to 85	Up to 78	Up to 78	Up to 77	Up to 77
Heat exchanger type	Cross-flow							
Heat exchanger material	polystyrene							

DESIGN AND OPERATING PRINCIPLE

The unit has the following operating principle:

Warm stale extract air from the room flows to the unit, where it is filtered, then air flows through the heat exchanger and is exhausted outside by the extract fan. Clean cold air from outside is moved to the supply filter. Then filtered air flows through the heat exchanger and is moved to the room with the supply fan.

Heat energy of warm extract air is transferred to clean intake fresh air from outside and warms it up.

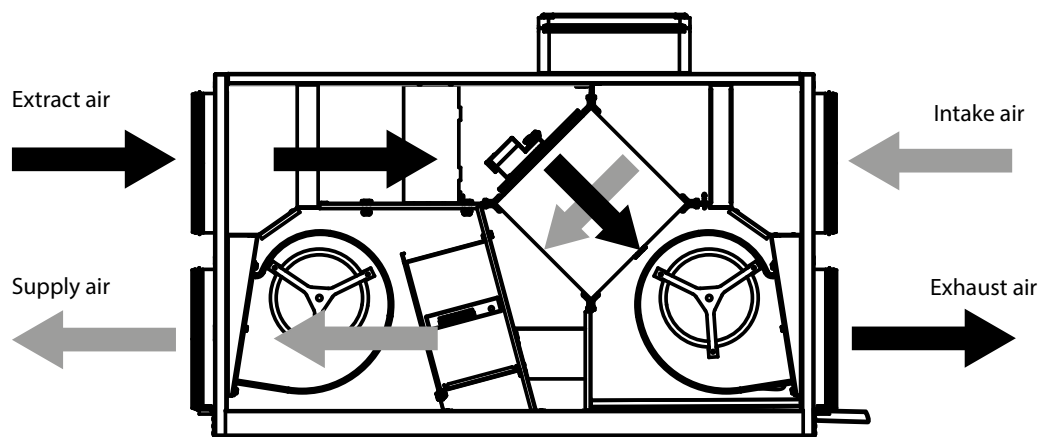
Heat recovery minimizes thermal energy losses and space heating expenses in cold seasons.

The unit is a frame structure consisting of six rigidly fixed sandwich panels 25 mm (for KOMFORT LE350..600) and 50 mm thick (for KOMFORT LE800..2200). The three-layer sandwich panels consist of two galvanized sheets with heat and sound insulation material (mineral wool) between them.

The air handling unit is equipped with quick-detachable specially sealed service panels for scheduled repair and maintenance operations.

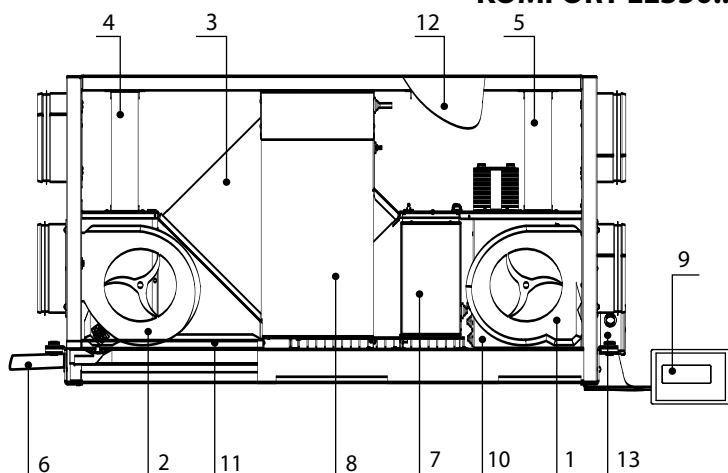
The terminal block is located in the terminal box (for KOMFORT LE350...600) or in the control unit (for KOMFORT LE800..2200).

Connection of the power and ground cables to the terminal block is carried out through the sealed lead-ins.



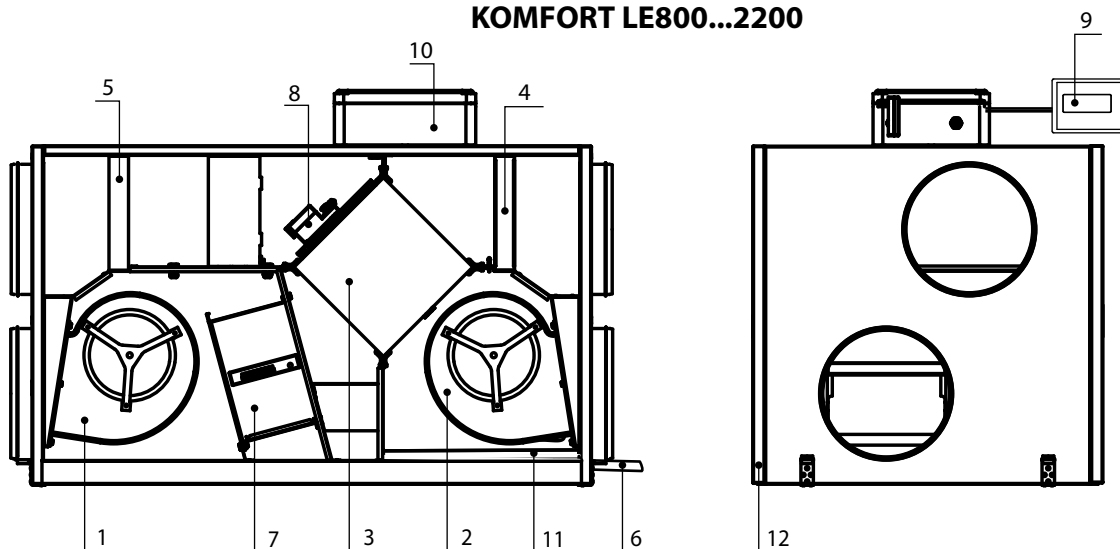
Unit design

KOMFORT LE350...600



1. Supply fan
2. Extract fan
3. Heat exchanger
4. Supply air filter
5. Extract air filter
6. Drain pipe
7. Electric heater
8. Bypass
9. Wall control panel
10. Control unit
11. Drain pan
12. Quick-detachable panels
13. Terminal box (KOMFORT LE350...600)

KOMFORT LE800...2200

**The basic complete set includes:**

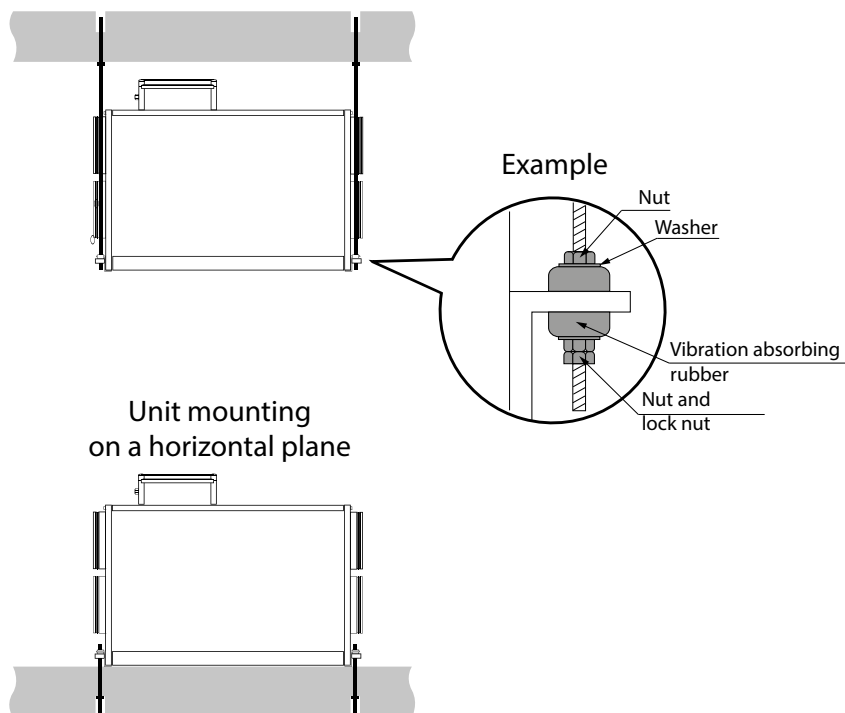
- Wall control panel that is connected via the data cable to the integrated control system in the unit.
- Supply and extract fans with forward curved blades and maintenance-free external rotor motors with built-in overheating protection.
- Plate cross flow heat exchanger.
- Electric heater, equipped with overheating protection: two integrated thermal switches, one of safety type with response temperature +50 °C and automatic reset and another of emergency type with response temperature +90 °C and manual reset.
- Supply filter (fine filtering G4).
- Extract filter (coarse filtering G4).

MOUNTING AND SET-UP

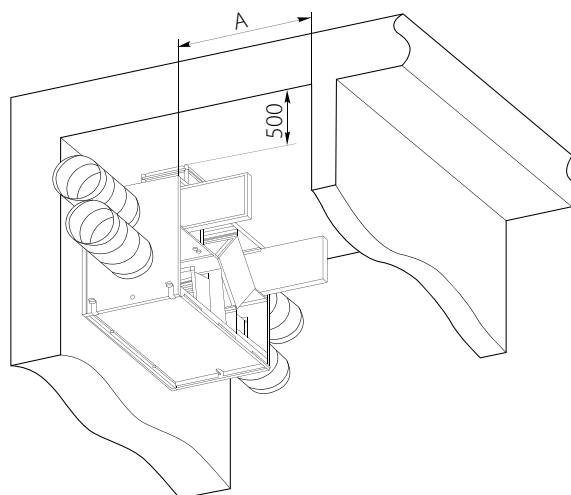


READ THE USER'S MANUAL BEFORE INSTALLING THE UNIT

The unit may be suspended on threaded rods that are fixed inside dowels or may be rigidly fixed on a horizontal plane.



While mounting the unit provide enough access for maintenance or repair work.



A=600 mm (KOMFORT LE350...600)

A=850 mm (KOMFORT LE800...2200)

Safety precautions

The unit must be mounted to a rigid and stable structure. See technical data and unit weight data. The unit must be suspended using anchor bolts.

Before starting mounting check that the mounting structure has sufficient loading capacity for the unit weight. Otherwise reinforce the mounting location with beams or similar elements. Then install the threaded rods fixed in threaded dowels installed in the ceiling.

If the construction strength or surface is not rigid enough, it can resonate with the unit and create abnormal noise and vibration.

While mounting the unit provide enough service space and an access door in the ceiling for inspection and maintenance of the filters, heat exchanger and fans. One access door is required for each unit. More detailed information is given on the dimensional drawing.

Install M8 anchor bolts before proceeding with the installation. Insert the anchor bolt into the suspended mounting opening and secure

it with nuts and washers.

Before mounting make sure the casing does not contain any foreign objects (e.g. foil, paper).

If the bolts used for the unit mounting are too short, the unit can generate abnormal noise and resonate with the ceiling.

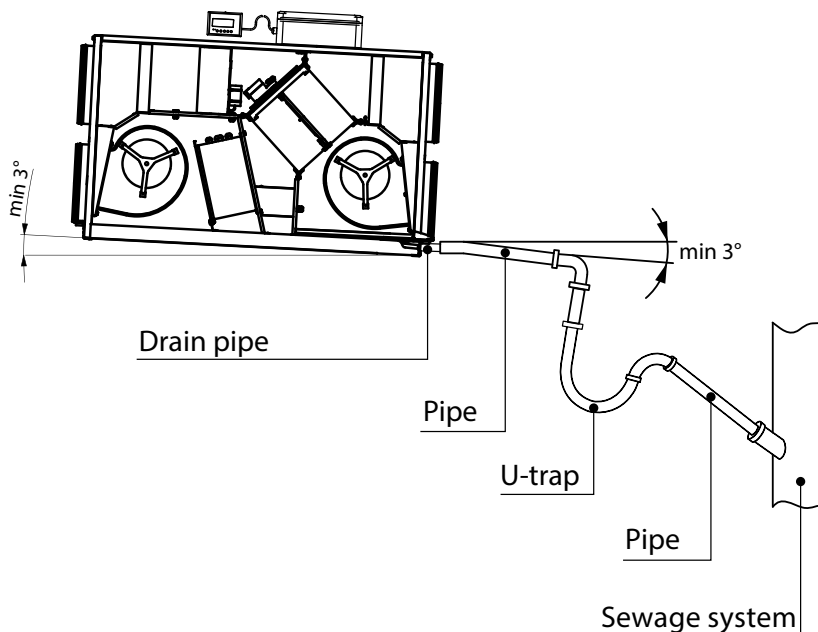
If the abnormal noise is generated at the spiral air duct joint replace the spiral air duct with a flexible one to prevent resonance.

The precautionary measures described above should eliminate the problem of resonance. Flexible anti-vibration connectors are another alternative for dealing with resonance.

To attain the best performance of the unit, while mounting connect a straight 1 m duct section on both sides of the unit.

The unit must be equipped with a protecting grille or other protecting device with mesh width not more than 12.5 mm to prevent uncontrollable access to the fans.

Condensate drainage



Do not connect several drain pipes from several air handling units to one U-trap!

Direct condensate drainage with no connection to the drain system is not allowed.

CONNECTION TO POWER MAINS



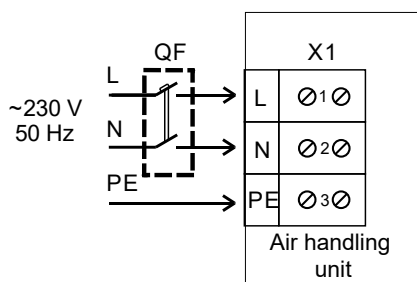
**DISCONNECT THE UNIT FROM POWER MAINS PRIOR TO ANY OPERATIONS.
THE UNIT MUST BE CONNECTED TO POWER SUPPLY BY A QUALIFIED ELECTRICIAN.
THE RATED ELECTRICAL PARAMETERS OF THE UNIT ARE GIVEN ON THE
MANUFACTURER'S LABEL.**



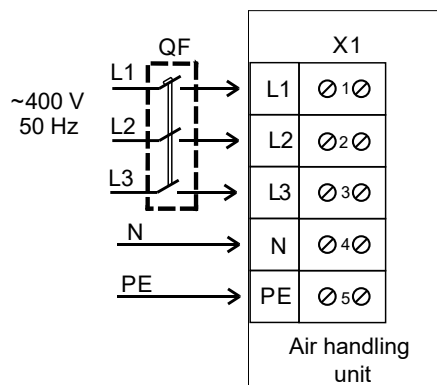
**ANY TAMPERING WITH THE INTERNAL CONNECTIONS IS PROHIBITED
AND WILL VOID THE WARRANTY.**

- The unit is rated for connection to 1~230 V/50 Hz or 3~400 V/50 Hz power mains.
- The unit must be connected to power mains using insulated electric conductors (cables, wires). The actual wire cross section selection must be based on the maximum load current, maximum conductor temperature depending on the wire type, insulation, length and installation method.
- The external power input must be equipped with an automatic circuit breaker built into the stationary wiring to open the electric circuit in case of overload or short-circuit. The circuit breaker installation place must provide quick access for emergency shutdown of the unit. The trip current of the automatic circuit breaker **QF** must exceed the maximum current consumption of the unit (refer to the technical data table). The recommended trip current of the circuit breaker is the next current in the standard trip current row following the maximum current of the connected unit. The automatic circuit breaker is not included in the delivery set.

Single-phase power mains
(KOMFORT LE350...600)



Three-phase power mains
(KOMFORT LE800...2200)



TECHNICAL MAINTENANCE



DISCONNECT THE UNIT FROM POWER SUPPLY BEFORE ANY MAINTENANCE OPERATIONS!

Maintenance operations of the unit are required 3-4 times per year.

1. Filter maintenance (3-4 times per year).

Dirty filters increase air resistance in the system and reduce supply air volume. The filters require cleaning not less than 3-4 times per year. Clean the filter with a vacuum cleaner or replace it with a new one. For new filters contact the Seller. To remove the filters, unscrew the screws securing the front panel and remove it.

2. Heat exchanger maintenance (once per year).

Some dust may accumulate on the heat exchanger even in case of regular maintenance of the filters. To maintain the high heat recovery efficiency, regular cleaning is required. To clean the heat exchanger, remove it (after removing the front panel) from the unit and clean the heat exchanger by using compressed air or a vacuum cleaner. After cleaning, re-install the heat exchanger into the unit.

3. Fan maintenance (once per year).

Even in case of regular maintenance of the filters, some dust may accumulate inside the fans and reduce the fan performance and supply air flow. Clean the fans with a soft cloth, brush, or using compressed air. Do not use water, aggressive solvents, or sharp objects as they may damage the impeller.

4. Condensate drainage system maintenance (4 times per year).

The condensate drainage system can be clogged by particles from the extract air. Check the drain line operation by filling the drain pan with water, clean the U-trap and the drain line, if necessary.

5. Supply air flow control (twice per year).

The supply duct grille may get clogged with leaves and other objects reducing the unit performance and supply air delivery. Check the supply grille twice per year and clean it as required.

6. Ductwork system maintenance (once in 5 years).

Even regular fulfilling of all the maintenance operations prescribed above may not completely prevent dirt accumulation in the air ducts, which leads to air pollution and reduces the unit capacity. Duct maintenance means regular cleaning or replacement.

7. Control unit maintenance (if necessary).

The control unit is positioned inside the unit casing. To access the control unit, remove the fixing screws on the panel and remove the control unit lid.

TROUBLESHOOTING

Problem	Possible reasons	Troubleshooting
The fan(s) does not start when the unit is on.	No power supply.	Make sure the power supply line is connected correctly, otherwise troubleshoot the connection error.
	The motor is jammed, the impeller blades are soiled.	Turn the unit off. Troubleshoot the motor jam and the impeller clogging. Clean the blades. Restart the unit.
	Alarm in the system.	Turn the unit off. Contact the Seller.
Automatic circuit breaker trips following the unit turning on.	Overcurrent as a result of short circuit in the electric circuit.	Turn the unit off. Contact the Seller.
Low air flow.	Low set fan speed.	Set higher speed.
	The filters and the fans are clogged, the heat exchanger is clogged.	Clean or replace the filters, clean the fans, and the heat exchanger.
	Ventilation system elements (air ducts, diffusers, louver shutters, grilles) are clogged, damaged, or closed.	Clean or replace the ventilation system elements, such as air ducts, diffusers, louver shutters, grilles.
Cold supply air.	The extract filter is soiled.	Clean or replace the extract filter.
Noise, vibration.	The impeller(s) is soiled.	Clean the impeller(s).
	The fan or casing screw connection is loose.	Tighten the screw connection of the fans or the casing all the way.
	No anti-vibration connectors on air duct pipe flanges.	Install anti-vibration connectors.
Water leakage	The drainage system is soiled, damaged, or installed incorrectly.	Clean the drain line. Check the drain line slope angle. Make sure that the U-trap is filled with water and the drain pipes are frost protected.

STORAGE AND TRANSPORTATION REGULATIONS

- Store the unit in the manufacturer's original packaging box in a dry closed ventilated premise with temperature range +5...+40 °C and relative humidity up to 70 %.
- Storage environment must not contain aggressive vapours and chemical mixtures provoking corrosion, insulation, and sealing deformation.
- Use suitable hoist machinery for handling and storage operations to prevent possible damage to the unit.
- Follow the handling requirements applicable for the particular type of cargo.
- The unit can be carried in the original packaging by any mode of transport provided proper protection against precipitation and mechanical damage. The unit must be transported only in the working position.
- Avoid sharp blows, scratches, or rough handling during loading and unloading.
- Prior to the initial power-up after transportation at low temperatures allow the unit to warm up at room temperature for at least 3-4 hours.

MANUFACTURER'S WARRANTY

The product is in compliance with EU norms and standards on low voltage guidelines and electromagnetic compatibility. We hereby declare that the product complies with the provisions of Electromagnetic Council Directive 2014/30/EU, Low Voltage Directive 2014/35/EU and CE-marking Directive 93/68/EEC. This certificate is issued following test carried out on samples of the product referred to above. The manufacturer hereby warrants normal operation of the unit for 24 months after the retail sale date provided the user's observance of the transportation, storage, installation, and operation regulations. Should any malfunctions occur in the course of the unit operation through the Manufacturer's fault during the guaranteed period of operation, the user is entitled to get all the faults eliminated by the manufacturer by means of warranty repair at the factory free of charge. The warranty repair includes work specific to elimination of faults in the unit operation to ensure its intended use by the user within the guaranteed period of operation. The faults are eliminated by means of replacement or repair of the unit components or a specific part of such unit component.

The warranty repair does not include:

- routine technical maintenance
- unit installation/dismantling
- unit setup

To benefit from warranty repair, the user must provide the unit, the user's manual with the purchase date stamp, and the payment paperwork certifying the purchase. The unit model must comply with the one stated in the user's manual. Contact the Seller for warranty service.

The manufacturer's warranty does not apply to the following cases:

- User's failure to submit the unit with the entire delivery package as stated in the user's manual including submission with missing component parts previously dismantled by the user.
- Mismatch of the unit model and the brand name with the information stated on the unit packaging and in the user's manual.
- User's failure to ensure timely technical maintenance of the unit.
- External damage to the unit casing (excluding external modifications as required for installation) and internal components caused by the user.
- Redesign or engineering changes to the unit.
- Replacement and use of any assemblies, parts and components not approved by the manufacturer.
- Unit misuse.
- Violation of the unit installation regulations by the user.
- Violation of the unit control regulations by the user.
- Unit connection to power mains with a voltage different from the one stated in the user's manual.
- Unit breakdown due to voltage surges in power mains.
- Discretionary repair of the unit by the user.
- Unit repair by any persons without the manufacturer's authorization.
- Expiration of the unit warranty period.
- Violation of the unit transportation regulations by the user.
- Violation of the unit storage regulations by the user.
- Wrongful actions against the unit committed by third parties.
- Unit breakdown due to circumstances of insuperable force (fire, flood, earthquake, war, hostilities of any kind, blockades).
- Missing seals if provided by the user's manual.
- Failure to submit the user's manual with the unit purchase date stamp.
- Missing payment paperwork certifying the unit purchase.



FOLLOWING THE REGULATIONS STIPULATED HEREIN WILL ENSURE A LONG AND TROUBLE-FREE OPERATION OF THE UNIT.



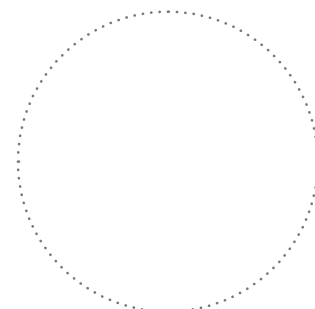
USER'S WARRANTY CLAIMS SHALL BE SUBJECT TO REVIEW ONLY UPON PRESENTATION OF THE UNIT, THE PAYMENT DOCUMENT AND THE USER'S MANUAL WITH THE PURCHASE DATE STAMP.

CERTIFICATE OF ACCEPTANCE

Unit Type	Heat recovery air handling unit
Model	KOMFORT LE_____
Serial Number	
Manufacture Date	
Quality Inspector's Stamp	

SELLER INFORMATION

Seller	
Address	
Phone Number	
E-mail	
Purchase Date	
This is to certify acceptance of the complete unit delivery with the user's manual. The warranty terms are acknowledged and accepted.	
Customer's Signature	

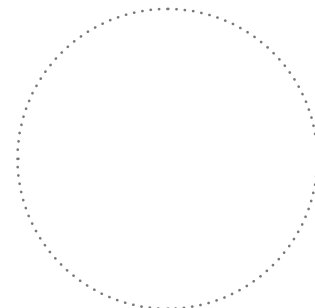


Seller's Stamp

INSTALLATION CERTIFICATE

The KOMFORT LE_____ unit has been connected to power mains pursuant to the requirements stated in the present user's manual.

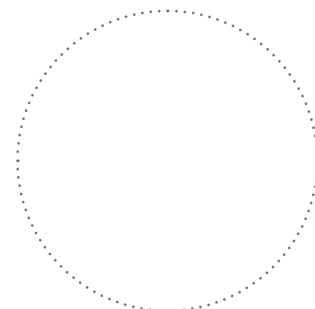
Seller	
Address	
Phone Number	
Installation Technician's Full Name	
Installation Date:	Signature:
The unit has been installed in accordance with the provisions of all the applicable local and national construction, electrical and technical codes and standards. The unit operates normally as intended by the manufacturer.	
Signature:	



Installation Stamp

WARRANTY CARD

Unit Type	Heat recovery air handling unit
Model	KOMFORT LE_____
Serial Number	
Manufacture Date	
Purchase Date	
Warranty Period	
Seller	



Seller's Stamp



BLAUBERG
Ventilatoren

