




AIR HANDLING UNIT



Freshbox 200 ERV WiFi
Freshbox E-200 ERV WiFi
Freshbox E1-200 ERV WiFi
Freshbox E2-200 ERV WiFi

EN

USER'S MANUAL



BLAUBERG
Ventilatoren

CONTENTS

Contents.....	2
Safety requirements.....	2
Purpose.....	4
Delivery set.....	4
Designation key.....	4
Technical data.....	5
Design and operating principle	7
Mounting and set-up.....	9
Control	13
Technical maintenance.....	22
Troubleshooting.....	23
Storage and transportation regulations.....	23
Manufacturer's warranty	24
Certificate of acceptance.....	27
Seller information	27
Installation certificate.....	27
Warranty card.....	27

This user's manual is a main operating document intended for technical, maintenance, and operating staff.

The manual contains information about purpose, technical details, operating principle, design, and installation of the Freshbox (E)/(E1)/(E2)-200 ERV WiFi unit and all its modifications.

Technical and maintenance staff must have theoretical and practical training in the field of ventilation systems and should be able to work in accordance with workplace safety rules as well as construction norms and standards applicable in the territory of the country.

SAFETY REQUIREMENTS

All user's manual requirements as well as the provisions of all the applicable local and national construction, electrical, and technical norms and standards must be observed when installing and operating the unit.

Disconnect the unit from the power supply prior to any connection, servicing, maintenance, and repair operations.

Only qualified electricians with a work permit for electrical units up to 1000 V are allowed for installation. The present user's manual should be carefully read before beginning works.

Check the unit for any visible damage of the impeller, the casing, and the grille before starting installation. The casing internals must be free of any foreign objects that can damage the impeller blades.

While mounting the unit, avoid compression of the casing! Deformation of the casing may result in motor jam and excessive noise.

Misuse of the unit and any unauthorised modifications are not allowed.

Do not expose the unit to adverse atmospheric agents (rain, sun, etc.).

Transported air must not contain any dust or other solid impurities, sticky substances, or fibrous materials.

Do not use the unit in a hazardous or explosive environment containing spirits, gasoline, insecticides, etc.

Do not close or block the intake or extract vents in order to ensure the efficient air flow.

Do not sit on the unit and do not put objects on it.

The information in this user's manual was correct at the time of the document's preparation. The Company reserves the right to modify the technical characteristics, design, or configuration of its products at any time in order to incorporate the latest technological developments. Never touch the unit with wet or damp hands. Never touch the unit when barefoot.

This appliance is not intended for use by persons (including children) with reduced physical, sensory or mental capabilities, or lack of experience and knowledge, unless they have been given supervision or instruction concerning use of the appliance by a person responsible for their safety.

Children should be supervised to ensure that they do not play with the appliance.

If the supply cord is damaged, it must be replaced by the manufacturer, its service agent, or similarly qualified persons in order to avoid a safety hazard.

Ensure that the appliance is switched off from the supply mains before removing the guard.

Precautions must be taken to avoid the back-flow of gases into the room from the open flue of gas or other fuel-burning appliances.

Connection to the mains must be made through a disconnecting device, which is integrated into the fixed wiring system in accordance with the wiring rules for design of electrical units, and has a contact separation in all poles that allows for full disconnection under overvoltage category III conditions.



**THE PRODUCT MUST BE DISPOSED SEPARATELY AT THE END OF ITS SERVICE LIFE.
DO NOT DISPOSE THE UNIT AS UNSORTED DOMESTIC WASTE.**

PURPOSE

The unit is designed to ensure continuous mechanical air exchange in houses, offices, hotels, cafes, conference halls, and other utility and public spaces as well as to recover the heat energy contained in the air extracted from the premises to warm up the filtered stream of intake air.

The unit is not intended for organizing ventilation in swimming pools, saunas, greenhouses, summer gardens, and other spaces with high humidity.

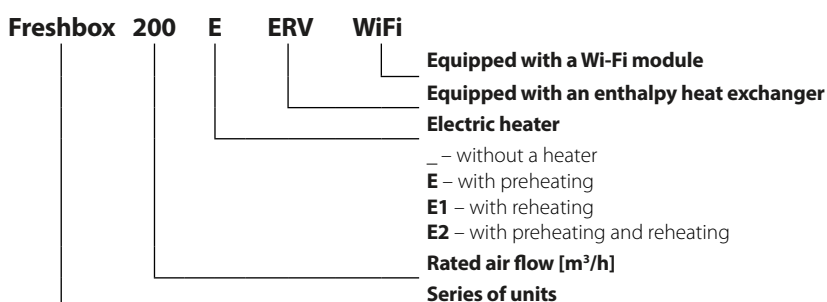
Due to the ability to save heating energy by means of energy recovery, the unit is an important element of energy-efficient premises.

The unit is a component part and is not designed for stand-alone operation. It is rated for continuous operation.

Transported air must not contain any flammable or explosive mixtures, evaporation of chemicals, sticky substances, fibrous materials, coarse dust, soot and oil particles or environments favourable for the formation of hazardous substances (toxic substances, dust, pathogenic germs).

DELIVERY SET

NAME	NUMBER
Air handling unit	1 pc.
User's manual	1 pc.
Mounting template	1 pc.
Installation kit	1 pc.
Magnetic sheet	1 pc.
Key	1 pc.
Spigot	1 pc.
Packing box	1 pc.

DESIGNATION KEY

TECHNICAL DATA

The unit is designed for indoor application with the ambient temperature ranging from +1 °C up to +40 °C and relative humidity up to 60 % without condensation. In cold, damp rooms, there is a possibility of freezing or condensation inside and outside the casing. In order to prevent condensation on the internal walls of the unit, it is necessary that the surface temperature of the casing is 2-3 °C above the dew point temperature of the transported air.

The unit should be operated continuously, and in cases where ventilation is not necessary, reduce the air flow of the fans to a minimum (20%). This will ensure a favorable indoor climate and reduce the amount of condensation inside the unit, which can damage electronic components. Never use the unit for dehumidification, for example, of new buildings.

The unit is rated as a Class I electrical appliance.

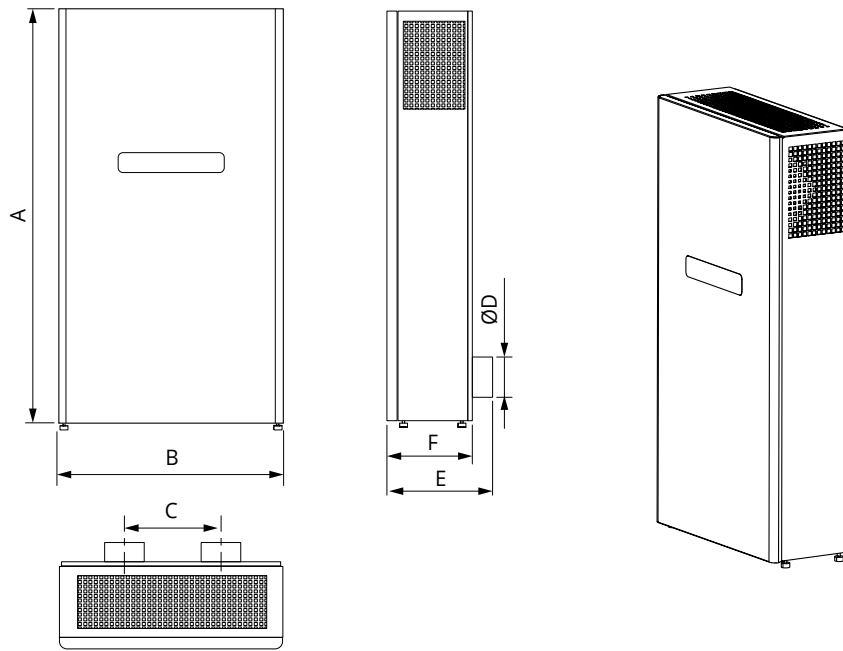
Hazardous parts access and water ingress protection rating:

IP22 for the unit connected to the air ducts

IP44 for the unit motors

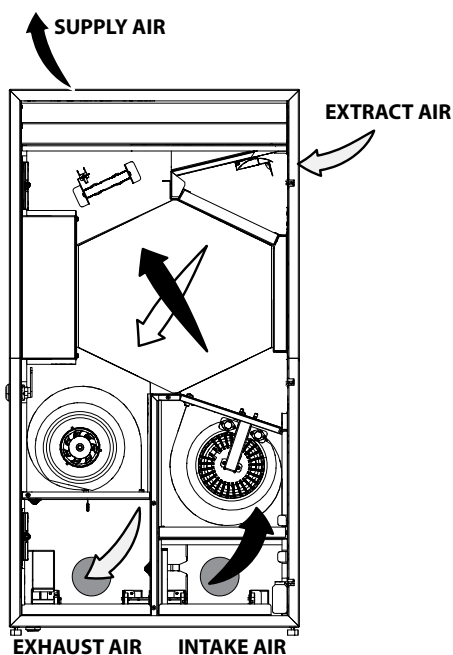
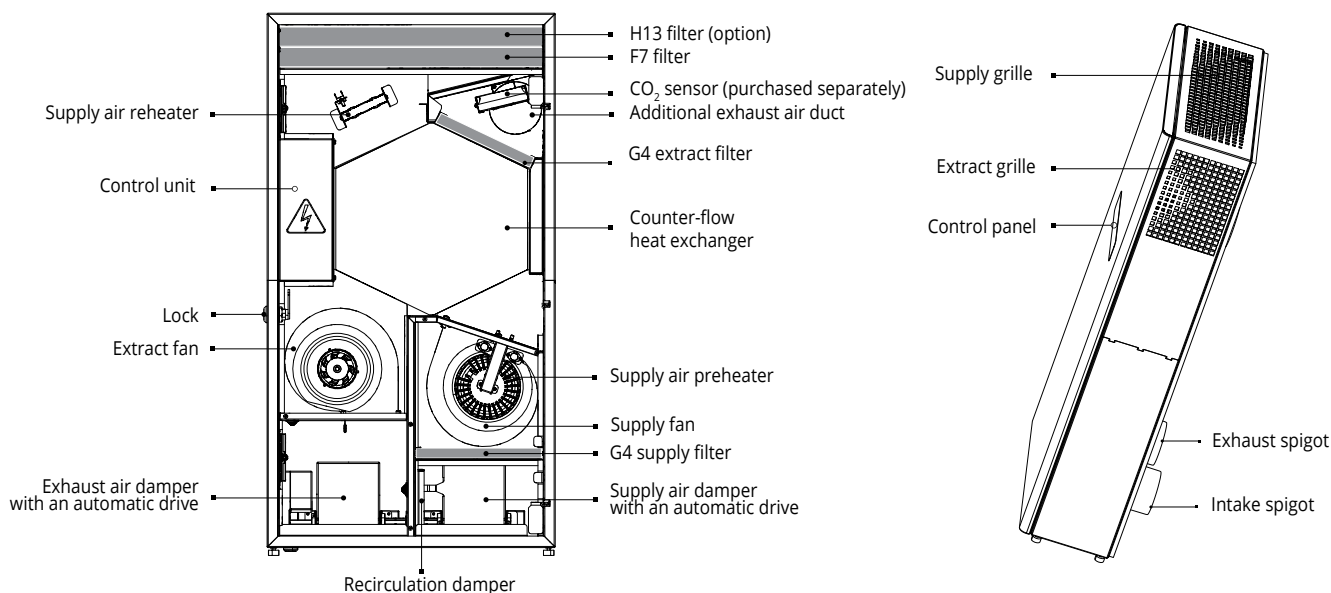
The unit design is constantly being improved, thus some models may be slightly different from those described in this manual.

PARAMETER	FRESHBOX 200 ERV WIFI					FRESHBOX E-200 ERV WIFI					FRESHBOX E1-200 ERV WIFI					FRESHBOX E2-200 ERV WIFI				
	1	2	3	4	5	1	2	3	4	5	1	2	3	4	5	1	2	3	4	5
Speed																				
Unit voltage [V/50 (60) Hz]	1~230																			
Maximum unit power (without a heater) [W]	10	15	25	44	134	10	15	25	44	134	10	15	25	44	134	10	15	25	44	134
Preheater power [W]	-					650										650				
Reheater power [W]	-					-					700					700				
Maximum unit current [A]	1.0					4.0					4.2					7.2				
Max. air flow [m³/h]	30	60	90	120	200	30	60	90	120	200	30	60	90	120	200	30	60	90	120	200
Sound pressure level at 3 m distance [dBA]	12	22	30	36	45	12	22	30	36	45	12	22	30	36	45	12	22	30	36	45
Transported air temperature [°C]	-15...+40																			
Casing material	Painted steel																			
Insulation [mm]	30																			
Heat recovery efficiency [%]	85	81	75	68	66	85	81	75	68	66	85	81	75	68	66	85	81	75	68	66
Heat exchanger type	Counter-flow																			
Heat exchanger material	Enthalpy																			
Supply filter	G4 + F7 (H13 optional)																			
Extract filter	G4																			
Connected air duct diameter [mm]	100																			
Weight [kg]	44																			

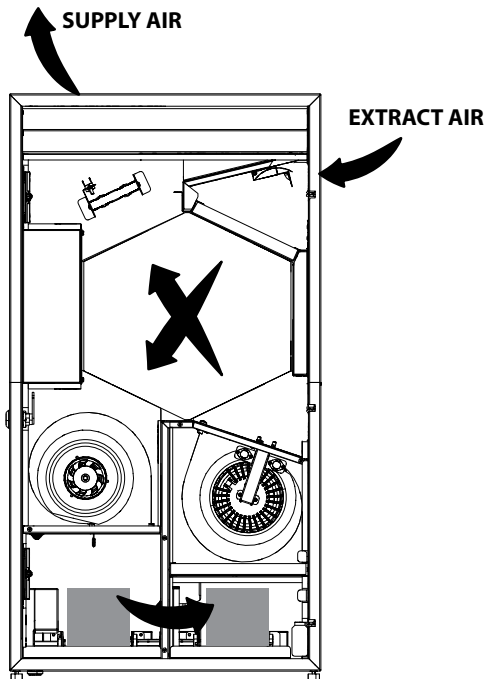


Model	Dimensions [mm]					
	Ø D	A	B	C	E	F
Freshbox(E)/(E1)/(E2)-200ERVWiFi	100	1020	550	240	265	214

DESIGN AND OPERATING PRINCIPLE



Warm stale extract air from the room flows to the unit, where it is filtered by the extract filter, then air flows through the heat exchanger and is exhausted outside by the extract fan. Cold fresh air from outside flows into the unit, where it is cleaned by the supply filter. Then filtered air flows through the heat exchanger and is moved to the room with the supply fan. Thermal energy of warm extract air is transferred to clean intake fresh air from outside and warms it up. The air flows are fully separated. Heat recovery minimizes heat losses, which reduces the cost of space heating in the cold season.



The unit is equipped with a recirculation damper. In recirculation mode it is opened and the supply and exhaust dampers are closed.

Air from the room passes through the filters, is purified again and is supplied back to the room with a heat exchanger. Depending on the model, the unit is equipped with a supply air preheater or post-heater with overheating protection.

The Freshbox E-200 ERV WiFi, Freshbox E2-200 ERV WiFi units are equipped with a preheater.

The preheater is located upstream of the heat exchanger and is designed for its overheating protection.

The Freshbox E1-200 ERV WiFi, Freshbox E2-200 ERV WiFi units are equipped with a reheater.

The reheater is located downstream of the heat exchanger and is designed for reheating the supply air to more comfortable temperature. When the intake air temperature is below $-3\text{ }^{\circ}\text{C}$, the preheater automatically warms up intake air so the average exhaust air temperature downstream of the heat exchanger is not below $+5\text{ }^{\circ}\text{C}$.

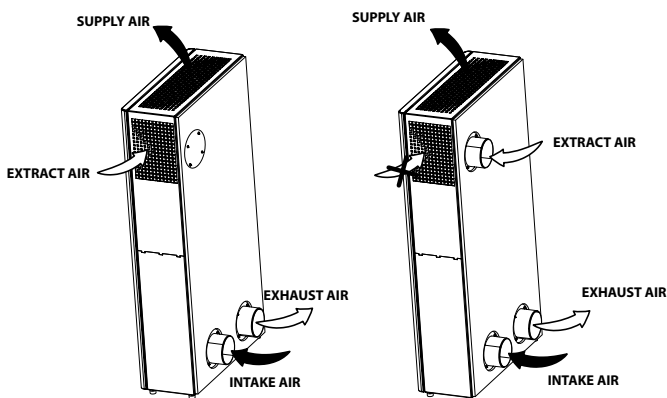
The reheater is switched on and off by means of a button on a sensor control panel, a remote control or via a mobile application.

The heat exchanger overheating protection in the Freshbox 200 ERV WiFi and Freshbox E1-200 ERV WiFi unit models without a preheater is achieved by automatic supply fan speed reduction according to extract air sensor readings.

The extract fan runs at maximum speed.

Condensate is not formed as units are equipped with an enthalpy heat exchanger and moisture is transferred from one air flow to another through a membrane.

The supply and exhaust air dampers open automatically when the motors are switched on and close when the motors are switched off.



An additional extract spigot ($\varnothing 100\text{ mm}$) can be fitted to the unit to connect the exhaust air duct from additional premises, e.g. a bathroom. The spigot is included in the delivery set.

The exhaust grille must be closed with the magnetic plug included in the delivery set (see the "Mounting and set-up" section).

MOUNTING AND SET-UP



READ THE USER'S MANUAL BEFORE INSTALLING THE UNIT.



WHILE INSTALLING THE UNIT ENSURE CONVENIENT ACCESS FOR SUBSEQUENT MAINTENANCE AND REPAIR.

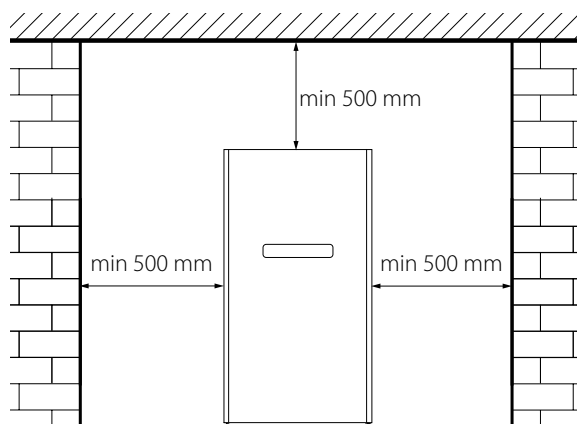


BEFORE MOUNTING MAKE SURE THE CASING DOES NOT CONTAIN ANY FOREIGN OBJECTS (E.G. FOIL, PAPER).

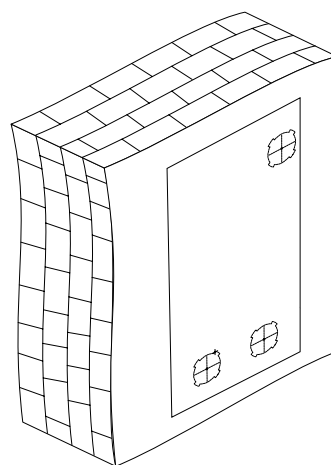


**THE UNIT MUST BE MOUNTED ON A PLANE SURFACE.
MOUNTING OF THE UNIT TO AN UNEVEN SURFACE CAN LEAD TO THE UNIT CASING DISTORTION AND OPERATION DISTURBANCE.**

When choosing the installation site, consider the minimum distances from the unit to the surfaces.



A mounting template is included in the delivery set.
Fix the mounting template at the required level on the wall.
Make marks to drill holes for air ducts, unit mounting and power cable entry.
Before installation operations begin, route necessary cables and wires to the unit mounting place.



Remove the mounting template and drill two through holes \varnothing 120 mm for round air ducts.

When mounting the unit with an extract spigot, prepare a hole in the wall for a connecting bend and for laying of a rectangular air duct.

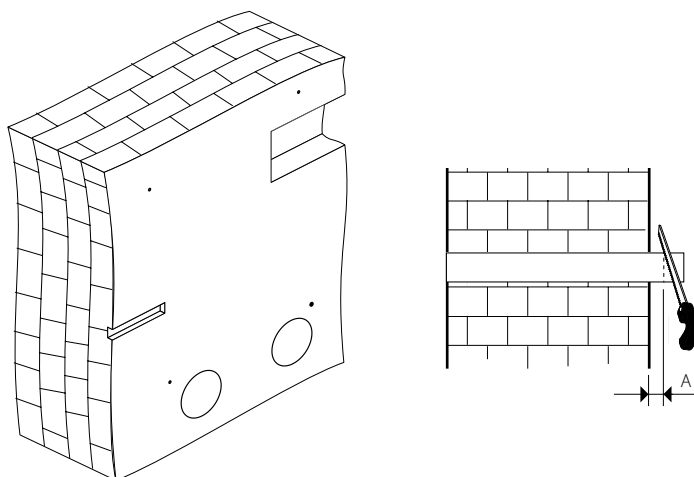
A connecting bend, rectangular and round air ducts are available separately.

Drill holes (\varnothing 8 mm, 90 mm deep) to mount the unit.

Install the expansion anchors, remove the perforated fillers for the air ducts from the mounting template and install the mounting template back.

Cut air ducts of required length. Note that the telescopic air duct end must protrude for the distance that enables installation of the outer ventilation hood (A). For details, refer to the installation instruction for the ventilation hood.

The outer ventilation hood is available separately.



Insert the air ducts in the corresponding holes of the mounting template.

Install the air duct with the minimum slope of 3 mm for condensate removal.

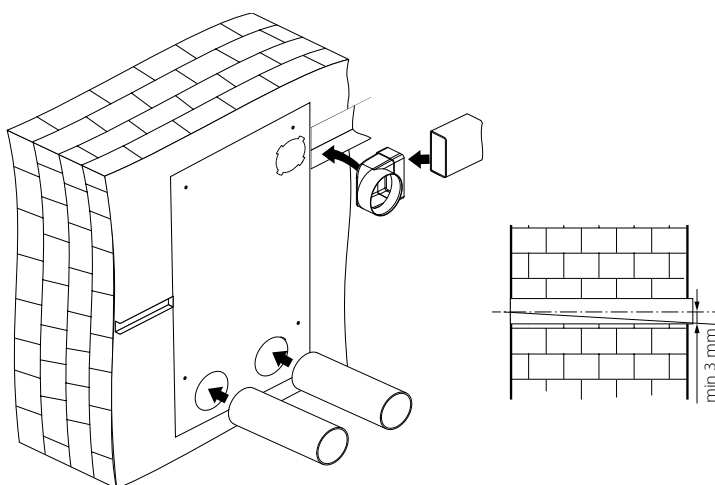
To install the unit with an additional spigot insert the connecting bend into the prepared hole in the wall, aligning the mounting template hole with a round end of the connecting bend.

Connect a rectangular duct to the connecting bend.

Fill the gaps between the air ducts and the wall with a mounting foam.

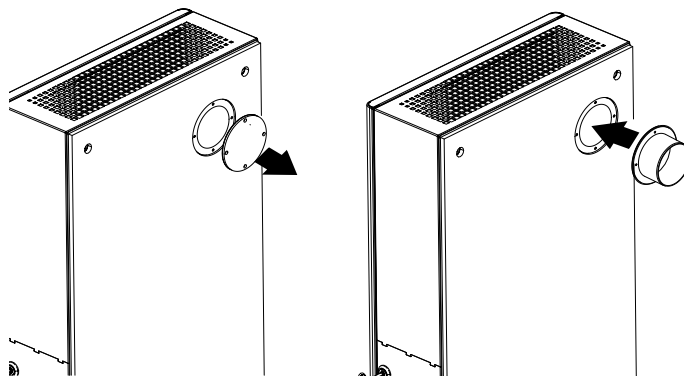
Wait till the mounting foam hardens then take off the mounting template and remove the foam excess.

Cut off the protruding air duct parts to be flush with the wall surface.



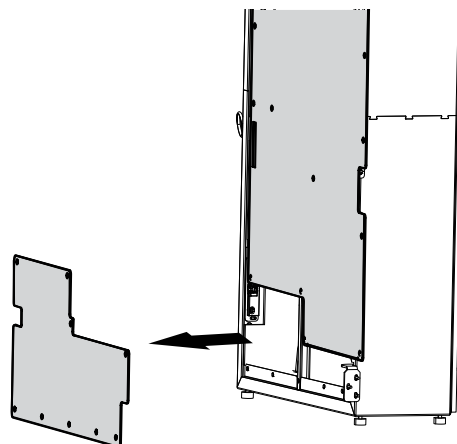
To install an extract spigot, remove the plug on the rear part of the unit.

Undo the screws, remove the plug and fix a spigot on its place using screws.

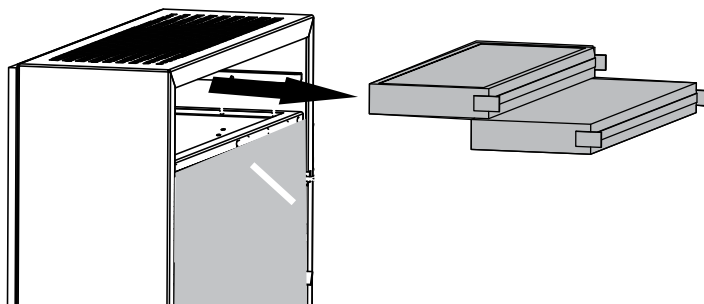


Open the unit.

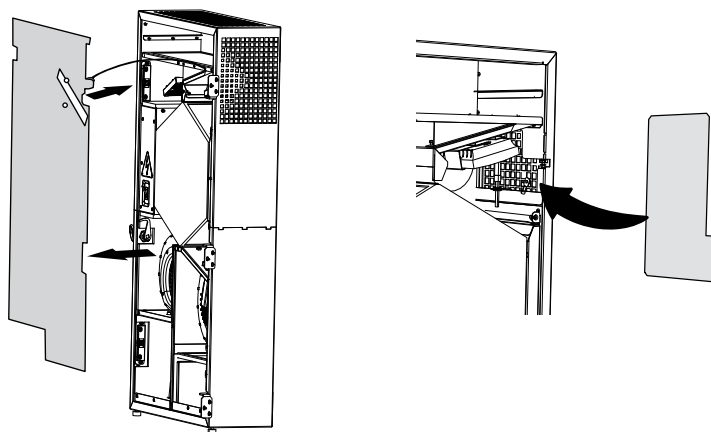
Undo the screws and remove the protective panel for accessing the mounting holes.



Remove the F7 and H13 filters for accessing the mounting holes.



If an extract spigot is installed, remove the top protective panel and install the magnetic plug on the exhaust grille. When removing the panel, disconnect the grounding cable.



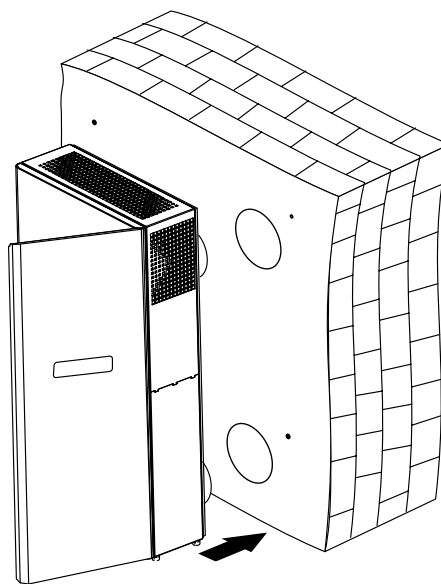
Lift the unit, insert the spigots into the corresponding air ducts installed in the wall.

The slope of the air ducts must be at least 3 mm.

Fix the unit using the supplied screws (included in the delivery set).

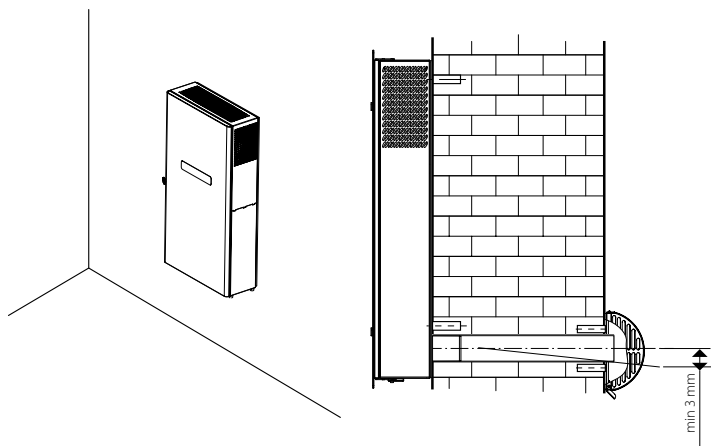
The unit is fastened with four screws.

Install the filters, the grounding cable and the protective panels back and close the unit door.




Install the outer ventilation hood:

- Remove the foam excess.
- Fill the gaps between the air ducts with sealant.
- Fix the outer hood on the outer wall of the building (see the ventilation hood installation manual).



CONNECTION TO POWER MAINS

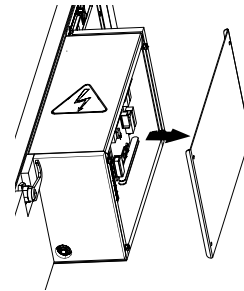


**POWER OFF THE POWER SUPPLY PRIOR TO ANY OPERATIONS WITH THE UNIT.
THE UNIT MUST BE CONNECTED TO POWER SUPPLY BY A QUALIFIED ELECTRICIAN.
THE RATED ELECTRICAL PARAMETERS OF THE UNIT ARE GIVEN ON THE
MANUFACTURER'S LABEL.**

- The unit is rated for connection to 1~230 V/50-60 Hz power mains.
- The unit must be connected to power mains using insulated electric conductors (cables, wires). The actual wire cross section selection must be based on the maximum load current, maximum conductor temperature depending on the wire type, insulation, length and installation method.
- The external power input must be equipped with an automatic circuit breaker built into the stationary wiring to open the electric circuit in case of overload or short-circuit. The circuit breaker installation place must provide quick access for emergency shutdown of the unit. The trip current of the automatic circuit breaker **QF** must exceed the maximum current consumption of the unit (refer to the technical data table). The recommended trip current of the circuit breaker is the next current in the standard trip current row following the maximum current of the connected unit. The automatic circuit breaker is not included in the delivery set.

Connection of unit contacts is carried out in the control unit

To access the control unit, open the unit door, remove the protective panel, undo the screws securing the side wall, and remove it.

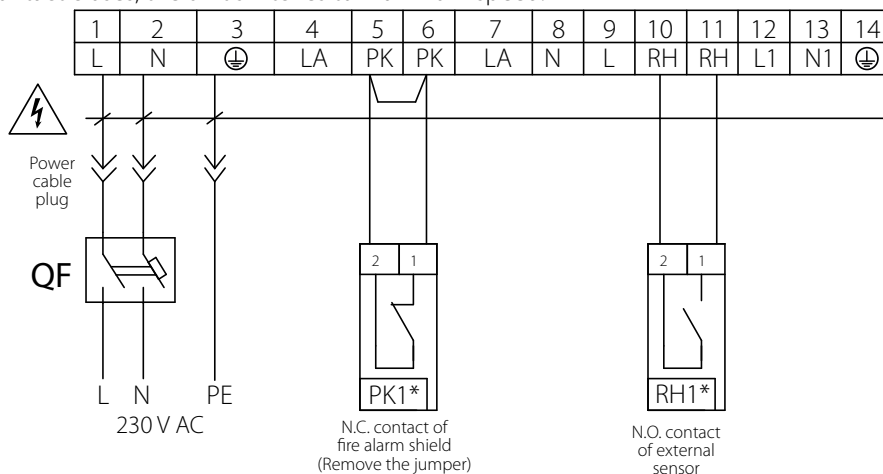


Connection of the automatic fire fighting system contact (PK)


Remove the jumpers between the terminals 5 and 6. In case of fire, the normally closed dry contact breaks the control circuit from the central fire-fighting board and cuts off power supply to the unit.

Connection of the contact for activating the Boost mode

The unit provides for the connection (parallel to the humidity sensor installed at the factory) of a normally open contact for activating the Boost mode. When the contact closes, the unit switches to maximum speed.



Designation	Name	Type	Cable
PK1*	Contact of fire alarm shield	N.C.	2x0.25 mm ²
RH1*	Contact of external sensor	N.O.	2x0.25 mm ²

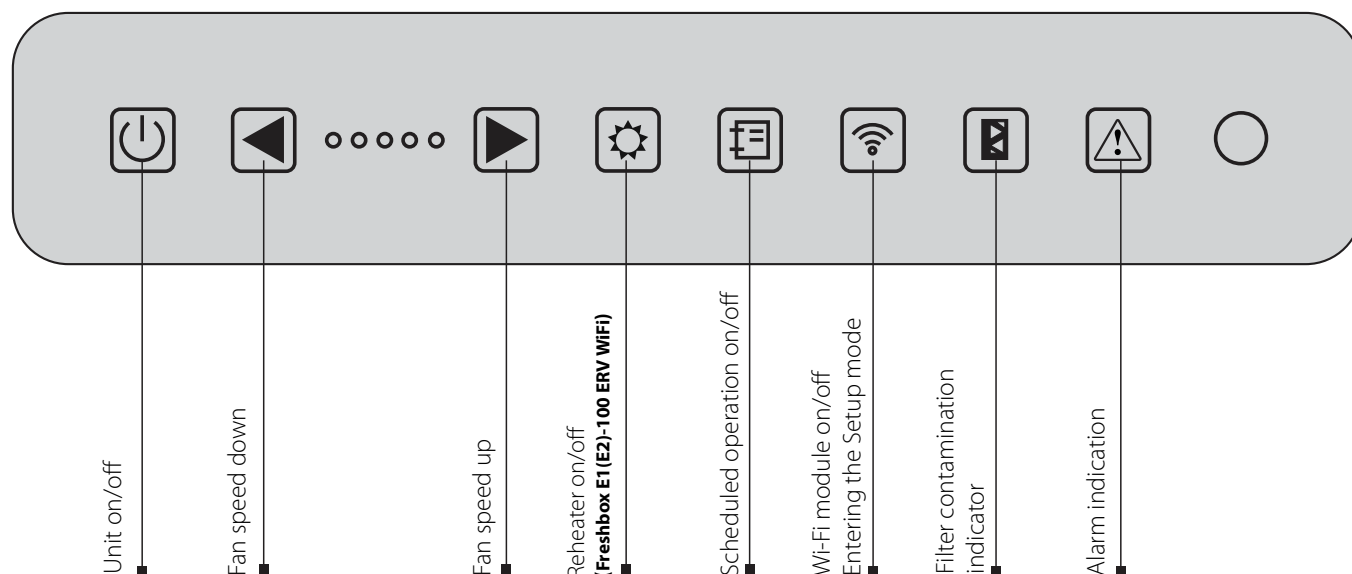
 - Electric shock hazard!

* The unit is not included in the delivery set and is available as specially ordered accessory.

CONTROL

The unit is controlled by means of a control panel on the unit casing, a remote control or via a mobile application.

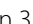

Control panel



1. The unit is switched on/off using .

2. Ventilation modes can be controlled by the  **and**  **buttons.**

The  and  buttons change the ventilation mode within five speeds.

Pressing  and  simultaneously for more than 3 seconds switches the timer on/off. The speed at which the unit operates after the timer activation and time are configured via the mobile application. The timer is configured via the mobile application (**air flow and time**).


3. The reheater is switched on/off using .

4. The weekly schedule can be switched on/off by pressing the  **button.**

For this mode, the time must be correctly set via the mobile application. By default, the controller stores a weekly schedule with factory settings. The button for switching on the weekly schedule blocks the buttons for changing speeds and switching the reheating on/off.

5. The Wi-Fi module is switched on/off using .

Switch the Wi-Fi module on/off by pressing . If the button is held down for more than 5 seconds, it flashes and the controller goes to the **Setup mode** (for more information on this mode, see page 15).

6. At the end of the filters' service life, the filter replacement indicator  on the control panel will light up notifying that filters need to be changed.

7. In emergency situations, the unit turns off and the  **indicator flashes an alarm code.**

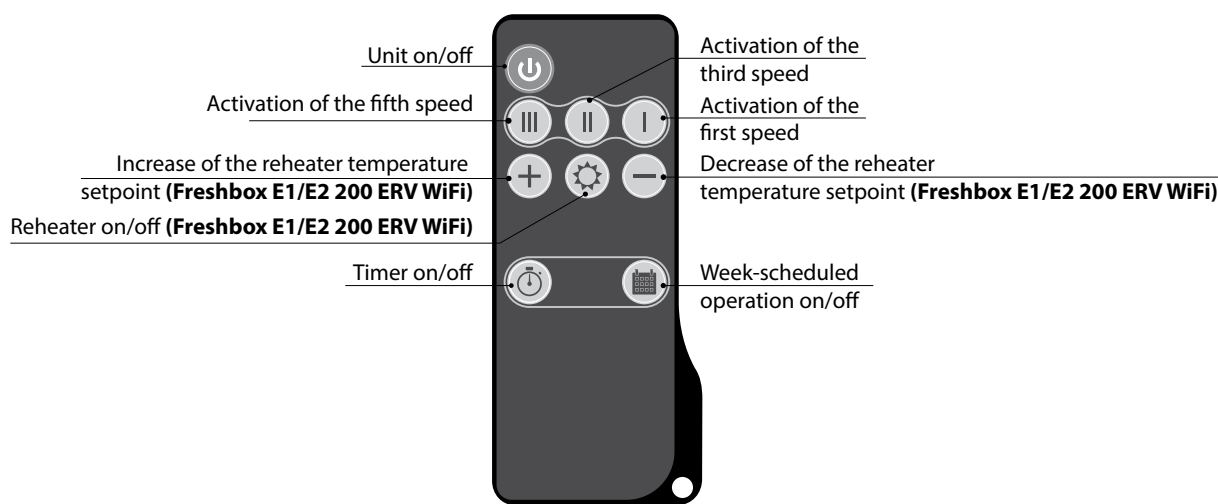
Alarm code	Alarm description
— — — — —	Outside temperature sensor missing
— — — — •	Short circuit of the outside air temperature sensor
— — — • —	Sensor missing downstream of the reheater
— — — ••	Short circuit of the sensor downstream of the reheater
— — • — —	Extract air temperature sensor missing (upstream of the heat exchanger)
— — • — •	Short circuit of the exhaust air temperature sensor
— — • — —	Exhaust air temperature sensor missing (downstream of the heat exchanger)
— — •••	Short circuit of the sensor downstream of the heat exchanger in the exhaust air duct
— • — — —	Reserved
— • — — •	Reserved
— • — • —	Sensor missing downstream of the heat exchanger in the supply air duct

— • — • •	Short circuit of the sensor downstream of the heat exchanger in the supply air duct
— • • — —	Low battery. The weekly schedule function will not work correctly
— • • — •	Reserved
— • • — —	Fire alarm activation
— • • • •	Error of connection between the control panel and the controller (not indicated in the mobile application)
• — — — —	Wi-Fi module initialization error
• • • • •	Unknown error (if this error occurs, contact the customer service)

- – short light signal
- – long light signal

You may find a detailed alarm description in a mobile application.

Remote control



Unit control via the application on the mobile device

The application is available for download at App Store, Play Market or via the QR code.



[App Store download link](#)

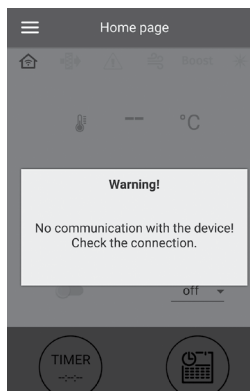


[Play Market download link](#)

Wi-Fi technical data

Standard	IEEE 802,11, b/g/n
Frequency band [GHz]	2.4
Transmission power [mW] (dBm)	100(+20)
Network	DHCP
WLAN safety	WPA, WPA2





Following message is displayed if launching an application without connection to the unit:

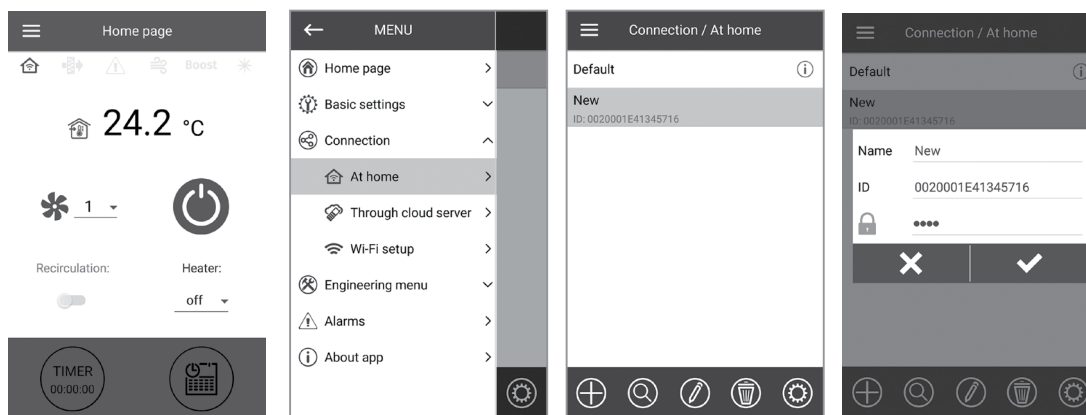


By default, the unit operates as a Wi-Fi access point. After installing the application, connect the mobile device to the unit as to a Wi-Fi access point (**FAN: + 16 characters of the ID number**) indicated on the control board and on the unit casing.

Wi-Fi access point password: 11111111 (eights ones).

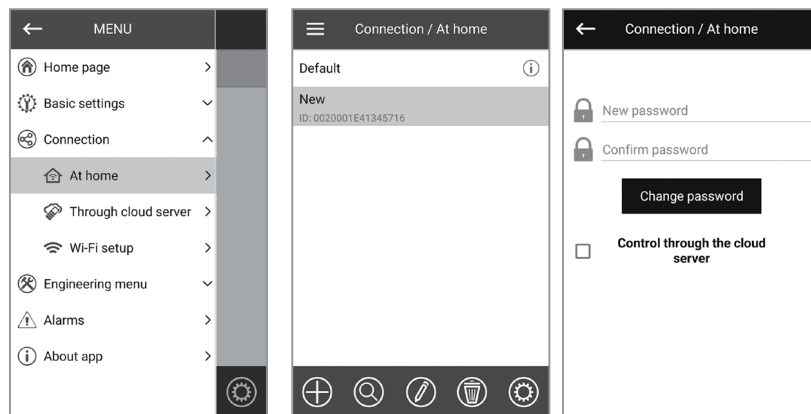
Run the installed application on the mobile device connected to the unit.

- Select a desired connection type.
- Enter the app menu .
- Select **CONNECTION - AT HOME**.
- If the mobile device is connected to the Wi-Fi access point of the unit without a router, select the **Default** connection. If you are connecting via a router, search for devices in the network by pressing the  button.
- Select the connection with the required ID number.
- Edit the connection details by pressing .
- If necessary, re-name the connection and enter a unit password (characters allowed: 0...9, a...z, A...Z). By default the unit password is **1111**.
- Confirm the updated details by pressing .



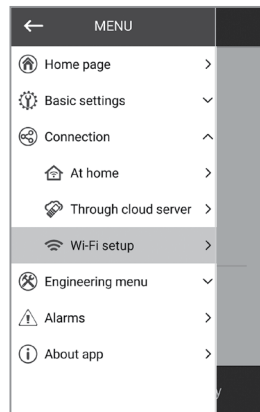
Unit password change

- Go to **Menu** (☰) - **Connection - At home**.
- Choose the connection and press (⚙️).
- Enter and confirm the password. Characters allowed: 0...9, a...z, A...Z.
- Press the **"Change Password"** button.



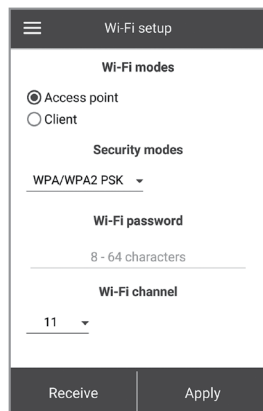
Wi-Fi parameter setup

Go to the application menu on your mobile device **Menu** (☰) - **Connection - Wi-Fi setup**.



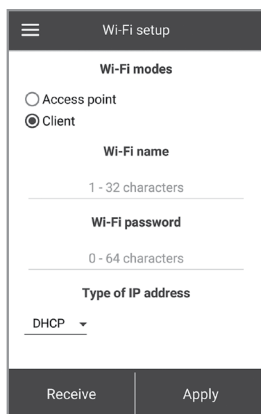
Then press **Receive**.

The screen will display the current Wi-Fi parameter settings. Select one of the Wi-Fi operation modes: **Access Point** or **Client**.



- Access Point:** access point mode without a home router.
Up to 8 devices can be connected to the unit in this mode.
Select the desired security level for the **Access point** mode:
- Open** means no password protection.
- WPA PSK:** password-protected.
- WPA2 PSK:** password-protected.
- WPA/WPA2 PSK:** password-protected (recommended).

Enter your access point password.
Change the Wi-Fi channel if necessary.
Press the **APPLY** button.



Client: the unit operates on the home router network.

Enter the home router details and the IP address type for the Client mode:

Enter the name of the Wi-Fi home router access point.

Enter the password for the Wi-Fi home router access point.

Select an IP address type:

DHCP: the IP address is set up automatically upon connection to the home router (recommended).

Static: enables manual entry of the desired IP address, subnet mask and default gateway.

These settings are recommended for expert users only.

Select this IP address type at your own risk.

Then press the **APPLY** button.

Special Setup mode

In the event of losing the Wi-Fi password or the unit password, connecting external devices or in other cases use the special Setup mode to restore access to the unit functions.

To enter the special Setup mode, press and hold the Wi-Fi button on the control panel for 5 seconds before the LED on the button starts flashing.

The unit will continue in this mode for 3 minutes and then will automatically revert to the previous settings.

To immediately exit the Setup mode, press and hold the button again for 5 seconds until the LED on the button stops flashing.

In this mode the following settings are available:

Wi-Fi name: Setup mode.

Wi-Fi password: 11111111.

The unit password is ignored.

Cloud server connection

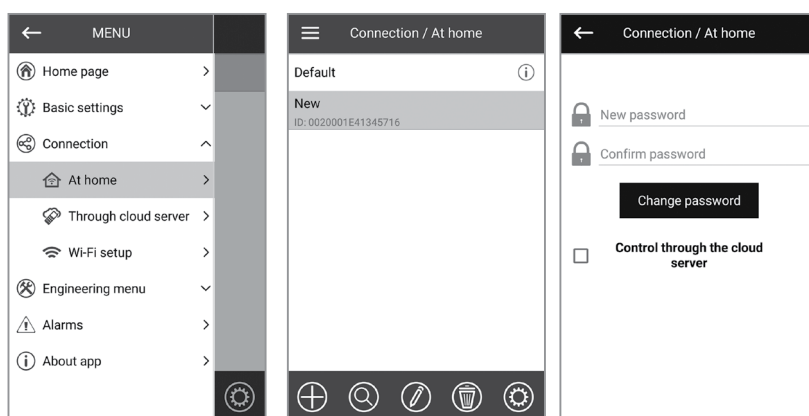
The units can be controlled using the mobile app via a cloud server connection.

This function allows controlling the unit that is connected to the home router at any remote location via the Internet.



By default the **Control via cloud server** function is disabled.



- Select **CONNECTION - AT HOME**.
- Select the desired unit connection.
- Enter the connection settings menu.
- Enable **Control via cloud server**.

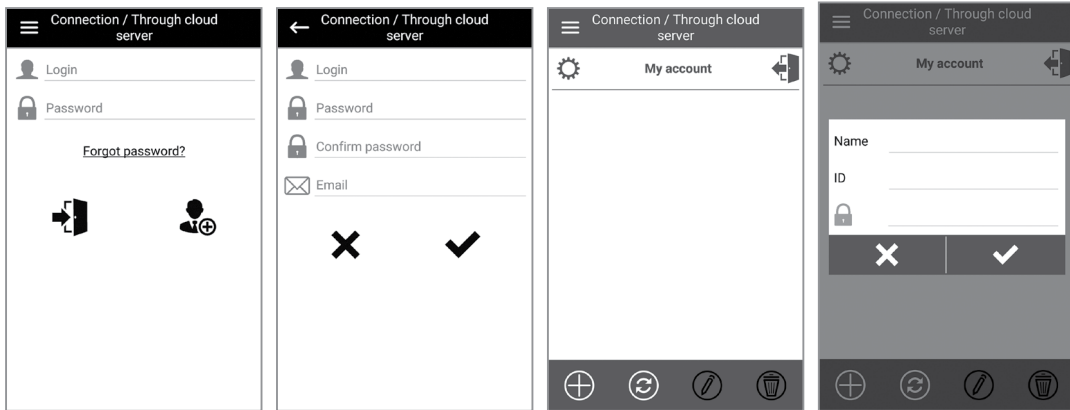
WARNING! With this function enabled any loss of Internet connection provided by the home server may result in temporary loss of communication with the unit.



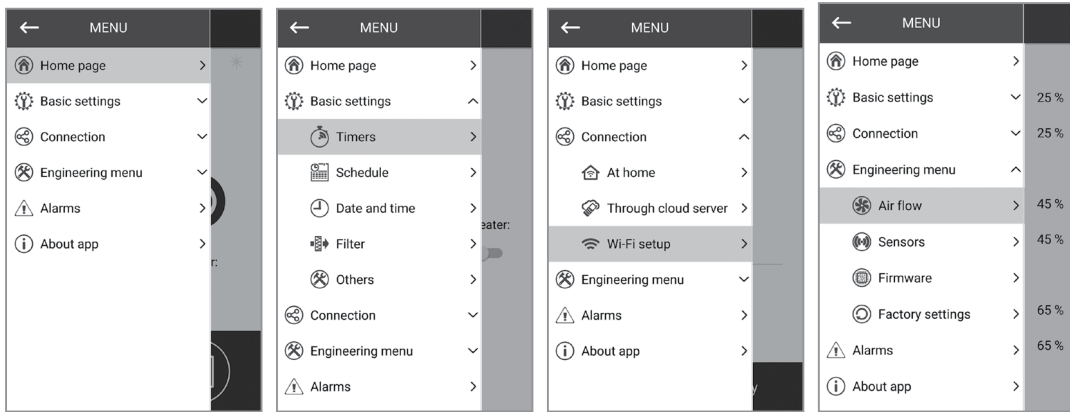
To manage the unit, create a new account. Open the mobile app and go to **MENU -> CONNECTION -> THROUGH CLOUD SERVER:**

- Press the **ADD NEW ACCOUNT** button.
- Enter a login, a password and an e-mail address for password recovery. Confirm the updated details by pressing .
- Follow the link sent to the e-mail.
- Enter your login and password to enter your account.
- Add a new connection by clicking the .
- Enter an arbitrary unit name, its ID number (indicated on the control board and the casing of the unit), and also the device password (default: 1111).

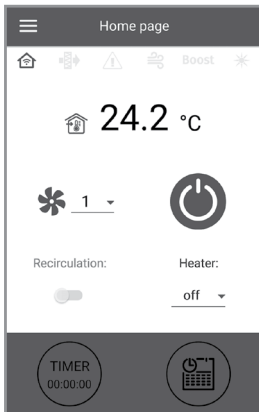
- Confirm the updated details by pressing .
- To exit the account, press .





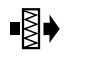

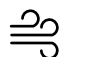

Menu structure




Home page





Indicators:

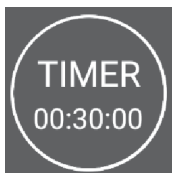
-  Current type of connection to the unit. Home connection or connection via a cloud server through Internet respectively.
-  Reheater activity.
-  Filter replacement indicator.
-  Red colour – alarm indication, orange colour – warning indication.
-  Electric heater cooling indicator (preheating or reheating) before switching off the unit.
- Boost**  Boost mode operation indicator.

Sensor readings:

-  Current temperature of the selected sensor, which controls the air temperature.

Control buttons:

-  Unit on/Standby.
-  1 Selection of pre-set speed.



Timer activation. Timer settings are made in the Basic Settings - Timers menu.

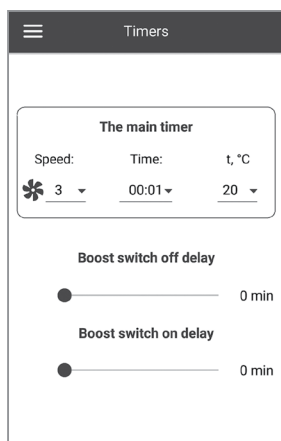


Week-scheduled operation mode activation. The settings of this mode are made in the Basic settings - Schedule menu.

Recirculation – activation of the recirculation mode. If there is no recirculation mode, the button is inactive.

Heater – selecting the temperature setpoint for the reheater or turning it off.

Basic settings



Timers

Main timer: timer mode settings.

When the timer is activated in the Home page menu, the unit temporarily goes to the following settings:

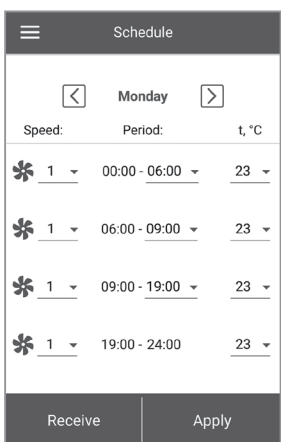
1 Selection of pre-set speed 1-5, Standby..

00:30 Timer setting

23 Control temperature selection. Available +15 °C.. + 30 °C, off. If OFF is selected, temperature control will not be performed while the timer is running.

Boost turn-off delay: determines the turn-off delay time for the Boost mode after the signal at the digital input (Boost switch) disappears on the control board.

Boost turn-on delay: determines the turn-on delay time for the Boost mode after the signal is applied to the digital input (Boost switch).



Schedule

The weekly schedule can be set by means of 4 time intervals available for each day of the week.

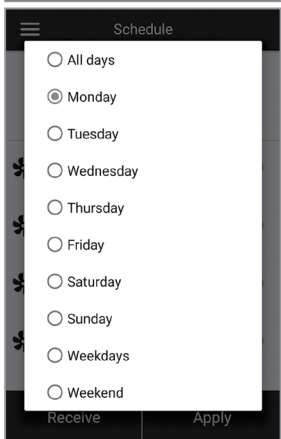
Adjustment can be made for every day, weekdays, weekends or for the whole week.

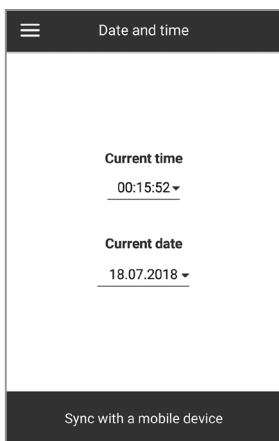
When the Schedule mode is activated from the **Main page**, the unit will operate as scheduled according to the following parameters:

1 Selection of pre-set speed 1-5, Standby.

06:00 - 09:00 Time setting for a specific segment.

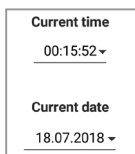
23 Control temperature selection. Available +15 °C.. + 30 °C, off. If OFF is selected, temperature control will not be performed while the timer is running.



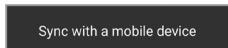


Date and time

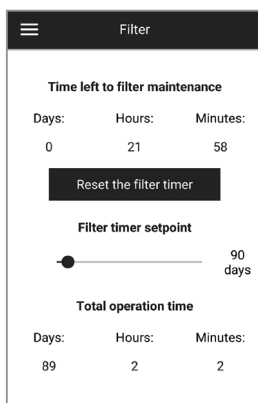
Current time and date are displayed and adjusted in this menu.
 Time display format: hh:mm:ss.
 Date format: dd.mm.yyyy.



— To enter the time and date manually.

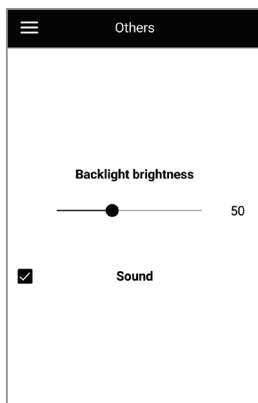


— The same time as in the mobile device will be automatically set.



Filter

Filter timer setpoint: when the set time (70-365 days) has elapsed, the filter change indicator appears and filter replacement information is displayed in the Alarms menu.
Run time: displays the running time of the unit, which cannot be reset.



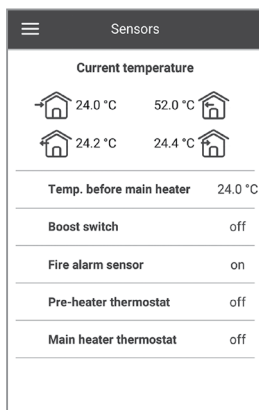
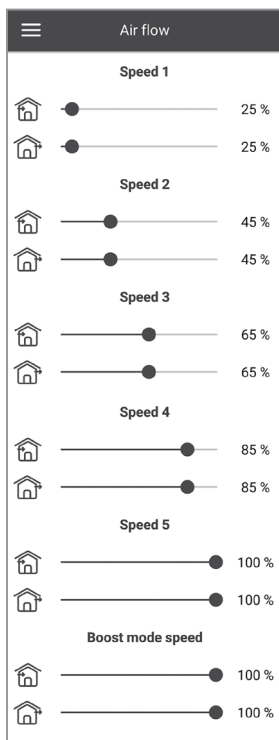
Other

The backlight brightness changes dynamically, after releasing the button, the brightness decreases to a preset level.
Sound - turns on/off the sound projector located on the board.

Engineering menu

Air flow

Air flow rate, preset speed 1-5 and Boost mode are set in this section.



Sensors

This section displays the current status of all sensors:



— outdoor air temperature.



— supply air temperature.



— extract air temperature upstream of the heat exchanger.

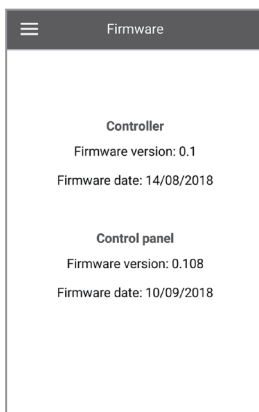


— exhaust air temperature downstream of the heat exchanger.

- Boost mode sensor
- Fire alarm sensor
- Pre-heater thermostat sensor
- Main heater thermostat sensor

Firmware

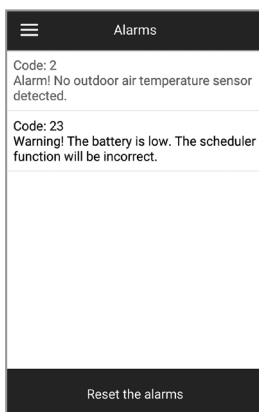
This section displays the current version and date of the controller and control board firmware.





Factory settings

In this section you can reset your settings to the factory settings. Communication with the unit may be lost after restoration. If necessary, reset your Wi-Fi connection.



Alarms

This section displays alarms and warnings. Alarms are highlighted in red, warnings are highlighted in black.

Alarm – indicates a serious error in operation. The unit is forcibly turned off. The alarm is reset manually using the **Reset the alarms** button.

Warning - the unit is not forcibly turned off.

Warnings are reset automatically after the cause is eliminated.

Alarm/Warning Codes

Ordering No.	Description
0	Alarm! Supply fan malfunction.
1	Alarm! Extract fan malfunction.
2	Alarm! Outdoor air temperature sensor missing.
3	Alarm! Short circuit of the outdoor temperature sensor.
4	Alarm! Supply air temperature sensor missing.
5	Alarm! Short circuit of the supply air temperature sensor.
6	Alarm! Extract air temperature sensor missing (upstream of the heat exchanger).
7	Alarm! Short circuit of the extract air temperature sensor (upstream of the heat exchanger).
8	Alarm! Exhaust air temperature sensor missing (downstream of the heat exchanger).
9	Alarm! Short circuit of the exhaust air temperature sensor (downstream of the heat exchanger).
10	Alarm! Actuation of the protecting pre-heater thermostat.
11	Alarm! Actuation of the main heater thermostat.
23	Warning! Low battery. The weekly schedule function will not work correctly
25	Alarm! Fire alarm activation.
40	Warning! The filter replacement timer has expired. The filter must be replaced.
50	Alarm! No connection between the control panel and the controller.
51	Alarm! Additional supply air temperature sensor missing upstream of the main heater.
52	Alarm! Short circuit of the additional supply air temperature sensor upstream of the heater.

TECHNICAL MAINTENANCE

Maintenance operations of the unit are required 3-4 times per year. Maintenance includes periodic dust removal from surfaces, cleaning or replacement of filters (if necessary) and dry cleaning of fans.

Maintenance includes general cleaning of the unit and the following operations:

1. Filter maintenance (3-4 times per year).

Dirty filters increase air resistance in the system and reduce supply air volume.

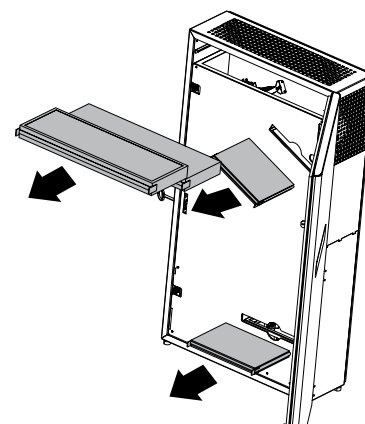
Remove the clogged filters from the unit.

- Clean the F7 filter with a vacuum cleaner.
- Clean the G4 filters with water and let them dry.

Install the filters back to the unit.

The filters require cleaning not less than 3-4 times per year.

For new filters, contact the Seller.



2. Heat exchanger maintenance (once a year).

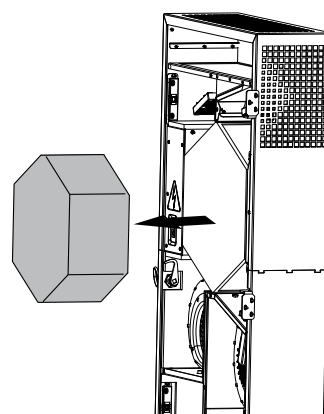
Some dust may accumulate on the heat exchanger block even in case of regular maintenance of the filters.

To maintain the high heat recovery efficiency, regular cleaning is required.

Periodical dry cleaning is recommended. Use a vacuum cleaner with a narrow nozzle.

Remove the protective panels (see page 11).

Remove the clogged heat exchanger out of the unit, clean it with a vacuum cleaner and install the heat exchanger back to the unit.

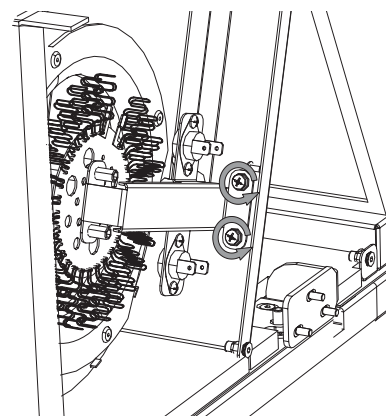


3. Fan maintenance (once a year).

Even in case of regular maintenance of the filters, some dust may accumulate inside the fans and reduce the fan performance and supply air flow.

Clean the fan with a cloth or a soft brush.

Do not use water, aggressive solvents, or sharp objects as they may damage the impeller. To access the supply fan, it is necessary to dismantle the electric heater (only in the Freshbox E-200 ERV WiFi and Freshbox E2-200 ERV WiFi models).



4. Technical maintenance of air duct system (every 5 years).

Even regular fulfilling of all the prescribed above maintenance operations may not completely prevent dirt accumulation in the air ducts which reduces the unit capacity. Duct maintenance means regular cleaning or replacement.

TROUBLESHOOTING

PROBLEM	POSSIBLE REASONS	TROUBLESHOOTING
The fan(s) do(es) not get started.	No power supply.	Make sure that the unit is properly connected to the power mains and make any corrections, if necessary.
Cold supply air.	Extract filter clogging.	Clean or replace the extract filter.
	Heat exchanger icing.	Check the heat exchanger for icing. Stop the unit operation if necessary and wait until the ice melts.
	Heater malfunction.	Contact the Seller.
Low air flow.	Filters, fans or the heat exchanger are soiled.	Clean or replace the filters, clean the fans and the heat exchanger.
	The ventilation system is soiled or damaged.	Check for unobstructed opening of diffusers and louver shutters, check the exhaust hood and the supply grille and clean those, if necessary. Make sure the air ducts are clean and intact.
Noise, vibration.	The fan impeller is soiled.	Clean the impellers.
	The screw connection is loose.	Tighten the fastening screws.

STORAGE AND TRANSPORTATION REGULATIONS

- Store the unit in the manufacturer's original packaging box in a dry closed ventilated premise with temperature range +5 ...+40 °C and relative humidity up to 70 %.
- Storage environment must not contain aggressive vapors and chemical mixtures provoking corrosion, insulation, and sealing deformation.
- Use suitable hoist machinery for handling and storage operations to prevent possible damage to the unit.
- Follow the handling requirements applicable for the particular type of cargo.
- The unit can be carried in the original packaging by any mode of transport provided proper protection against precipitation and mechanical damage. The unit must be transported only in the working position.
- Avoid sharp blows, scratches, or rough handling during loading and unloading.
- Prior to the initial power-up after transportation at low temperatures, allow the unit to warm up at operating temperature for at least 3-4 hours.

MANUFACTURER'S WARRANTY

The product is in compliance with EU norms and standards on low voltage guidelines and electromagnetic compatibility. We hereby declare that the product complies with the provisions of Electromagnetic Compatibility (EMC) Directive 2014/30/EU of the European Parliament and of the Council, Low Voltage Directive (LVD) 2014/35/EU of the European Parliament and of the Council and CE-marking Council Directive 93/68/EEC. This certificate is issued following test carried out on samples of the product referred to above.

The manufacturer hereby warrants normal operation of the unit for 24 months after the retail sale date provided the user's observance of the transportation, storage, installation, and operation regulations. Should any malfunctions occur in the course of the unit operation through the Manufacturer's fault during the guaranteed period of operation, the user is entitled to get all the faults eliminated by the manufacturer by means of warranty repair at the factory free of charge. The warranty repair includes work specific to elimination of faults in the unit operation to ensure its intended use by the user within the guaranteed period of operation. The faults are eliminated by means of replacement or repair of the unit components or a specific part of such unit component.

The warranty repair does not include:

- routine technical maintenance
- unit installation/dismantling
- unit setup

To benefit from warranty repair, the user must provide the unit, the user's manual with the purchase date stamp, and the payment paperwork certifying the purchase. The unit model must comply with the one stated in the user's manual. Contact the Seller for warranty service.

The manufacturer's warranty does not apply to the following cases:

- User's failure to submit the unit with the entire delivery package as stated in the user's manual including submission with missing component parts previously dismantled by the user.
- Mismatch of the unit model and the brand name with the information stated on the unit packaging and in the user's manual.
- User's failure to ensure timely technical maintenance of the unit.
- External damage to the unit casing (excluding external modifications as required for installation) and internal components caused by the user.
- Redesign or engineering changes to the unit.
- Replacement and use of any assemblies, parts and components not approved by the manufacturer.
- Unit misuse.
- Violation of the unit installation regulations by the user.
- Violation of the unit control regulations by the user.
- Unit connection to power mains with a voltage different from the one stated in the user's manual.
- Unit breakdown due to voltage surges in power mains.
- Discretionary repair of the unit by the user.
- Unit repair by any persons without the manufacturer's authorization.
- Expiration of the unit warranty period.
- Violation of the unit transportation regulations by the user.
- Violation of the unit storage regulations by the user.
- Wrongful actions against the unit committed by third parties.
- Unit breakdown due to circumstances of insuperable force (fire, flood, earthquake, war, hostilities of any kind, blockades).
- Missing seals if provided by the user's manual.
- Failure to submit the user's manual with the unit purchase date stamp.
- Missing payment paperwork certifying the unit purchase.



FOLLOWING THE REGULATIONS STIPULATED HEREIN WILL ENSURE A LONG AND TROUBLE-FREE OPERATION OF THE UNIT.



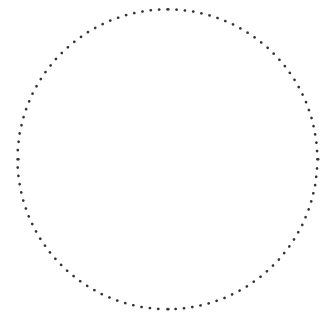
USER'S WARRANTY CLAIMS SHALL BE SUBJECT TO REVIEW ONLY UPON PRESENTATION OF THE UNIT, THE PAYMENT DOCUMENT AND THE USER'S MANUAL WITH THE PURCHASE DATE STAMP.

CERTIFICATE OF ACCEPTANCE

Unit Type	Air handling unit
Model	
Serial Number	
Manufacture Date	
Quality Inspector's Stamp	

SELLER INFORMATION

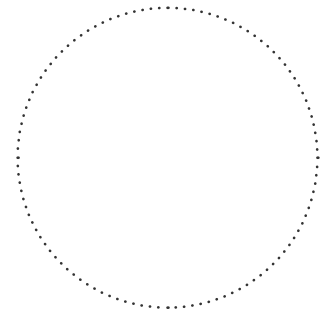
Seller	
Address	
Phone Number	
E-mail	
Purchase Date	
This is to certify acceptance of the complete unit delivery with the user's manual. The warranty terms are acknowledged and accepted.	
Customer's Signature	



Seller's Stamp

INSTALLATION CERTIFICATE

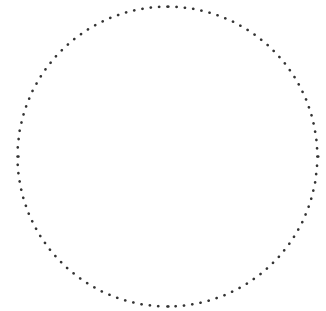
The unit _____ is installed pursuant to the requirements stated in the present user's manual.	
Company name	
Address	
Phone Number	
Installation Technician's Full Name	
Installation Date:	Signature:
The unit has been installed in accordance with the provisions of all the applicable local and national construction, electrical and technical codes and standards. The unit operates normally as intended by the manufacturer.	
Signature:	



Installation Stamp

WARRANTY CARD

Unit Type	Air handling unit
Model	
Serial Number	
Manufacture Date	
Purchase Date	
Warranty Period	
Seller	



Seller's Stamp



BLAUBERG
Ventilatoren

