

Iso-Primo

Sound-insulated inline mixed-flow fans

Use

- Supply and extract ventilation systems installed in various premises with high requirements to the noise level.
- For ventilation air ducts requiring high pressure, powerful air flow and low noise level.
- Compatible with Ø 200 up to Ø 250 mm air ducts.



Air flow:
up to 1670 m³/h
464 l/s



Power:
from 87 W

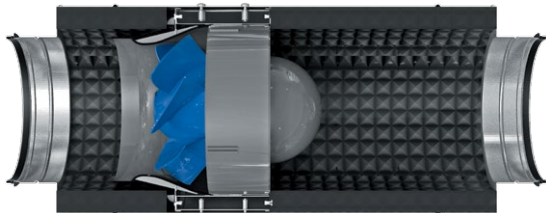


Noise level:
from 37 dBA



Design

- The casing is made of galvanized steel, internally filled with 30 mm acoustic foam.
- Due to the conically shaped polymer impeller with specially profiled blades, the air stream circular velocity increases, which results in higher air flow and pressure, as compared to characteristics of standard axial fans
- Mixed-flow impeller made of high-quality plastic.
- The specially designed diffuser, impeller and airflow rectifier at the fan outlet provide smooth air flow distribution and enable the best combination of high capacity, powerful pressure and low noise.
- External airtight terminal block on the fan casing for power supply.
- Mounting brackets on the fan casing for mounting to the ceiling.



Speed control

- Speed selection with a built-in speed switch (US option) or an external multi-speed controller (specially ordered accessory).
- Smooth speed control is possible either with an external thyristor or transformer speed controller (specially ordered accessory) when connected to the maximum speed terminal.

Mounting

- The fan is suitable for mounting in any section of the ventilation system from intake to the end of the ductwork.
- Ceiling mounting with a special mounting plate on the fan casing.

Modifications and options

- T:** turn-off delay timer adjustable from 2 to 30 minutes.
- US:** three-position speed switch.
- G1:** speed controller, temperature controller with external temperature sensor (cable length 4 m), power cable with mains plug.
- G11:** speed controller, temperature controller with integrated temperature sensor and power cable with mains plug.
- The **G1** and **G11** modifications enable automatic speed control depending on indoor temperature. The optimal ventilation solution for premises requiring permanent temperature control as greenhouses, orangeries, etc.
- W:** power cable with mains plug.

Motor

- Three-speed single-phase high-efficient motor with low energy demand on ball bearings.
- All motors have manual reset thermal overload protection.
- Motor ingress protection rating IPX4.

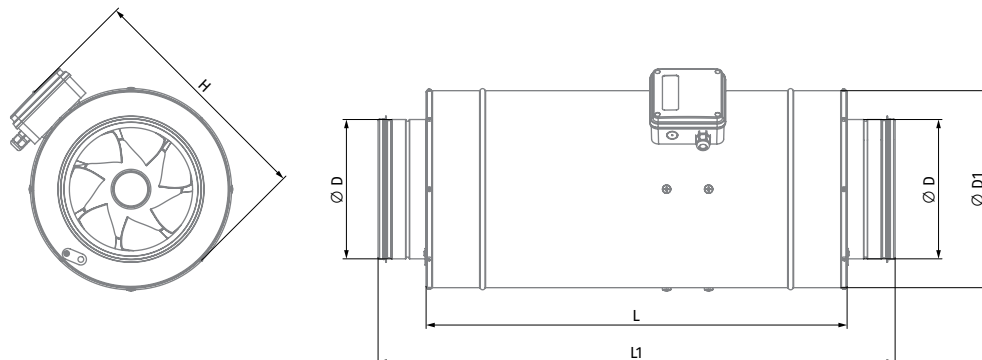
Designation key		
Series	Duct diameter [mm]	Options
Iso-Primo	200; 250	T: turn-off delay timer adjustable from 2 to 30 minutes US: three-position speed switch G1: speed controller, temperature controller with external temperature sensor, power cable with mains plug G11: speed controller, temperature controller with integrated temperature sensor and power cable mains plug W: power cable with mains plug

Accessories									
Silencers	Filter boxes	Electric heaters	Water heaters	Backdraft air dampers	Air dampers	Clamps	Temperature controllers	Speed controllers	Timers/Sensors
SD	KFBK / KFBT	EKH	WKH	VRV	VK / VKA	K	MLCD E2	CDP / CDT	TE(TI) / HSE(HSI) / LSE(LSI) / IRSE(IRSI)

SOUND-INSULATED INLINE FANS

Overall dimensions [mm]

Type	Ø D	Ø D1	H	L	L1	Weight [kg]
Iso-Primo 200 (T, G1, G1, W, US, USW)	198	281	339	601	739	8.2
Iso-Primo 250 (T, G1, G1, W, US, USW)	249	337	389	601	739	9.5



Technical data

Parameters	Iso-Primo 200			Iso-Primo 250		
	min	mid	max	min	mid	max
Speed						
Voltage [V / 50 Hz]		1~ 230			1~ 230	
Power [W]	82	104	113	144	173	188
Current [A]	0.37	0.46	0.51	0.70	0.81	0.84
Maximum air flow [m³/h (l/s)]	692 (192)	906 (252)	1110 (308)	1007 (280)	1404 (390)	1670 (464)
RPM [min ⁻¹]	2229	2634	2823	2292	2626	2876
Sound pressure at 3 m [dBA]	37	42	44	38	43	45
Transported air temperature [°C]		-25...+55			-25...+55	
IP rating		IPX4			IPX4	
Motor IP rating		IP20			IP20	
ErP		2018			2018	

ISO-PRIMO 200

Sound power level, A-weighted	Total	Octave frequency bands [Hz]								LpA 3 m	LpA 1 m
		63	125	250	500	1000	2000	4000	8000		
LWA to inlet [dBA]	67	63	63	59	55	47	42	42	37	46	56
LWA to outlet [dBA]	68	65	64	59	57	49	45	45	36	48	58
LWA to environment [dBA]	64	55	51	61	60	40	40	28	22	44	54

ISO-PRIMO 250

Sound power level, A-weighted	Total	Octave frequency bands [Hz]								LpA 3 m	LpA 1 m
		63	125	250	500	1000	2000	4000	8000		
LWA to inlet [dBA]	70	45	56	62	64	63	60	62	57	49	59
LWA to outlet [dBA]	71	41	49	61	64	67	65	60	54	51	61
LWA to environment [dBA]	65	57	55	60	58	55	54	47	39	45	55

