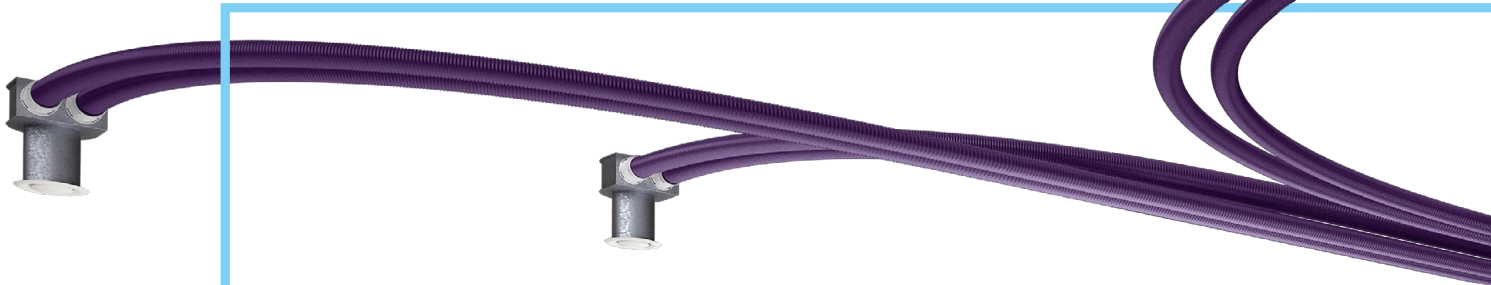


BLAUFAST



BLAUFAST semi-rigid
air duct system: flexible
solutions for efficient ventilation

SEMI-RIGID AIR DUCTS



The modular air distribution system **BLAUFast** is based on compact corrugated air ducts with the diameter of 63 and 75 mm made of impact-resistant plastic.

Energy saving ventilation is easy and fast to arrange with **BLAUFast**. It is applied in houses and apartments and is suitable both for brand new construction or renovation.

ENERGY SAVING VENTILATION FOR YOUR HOUSE

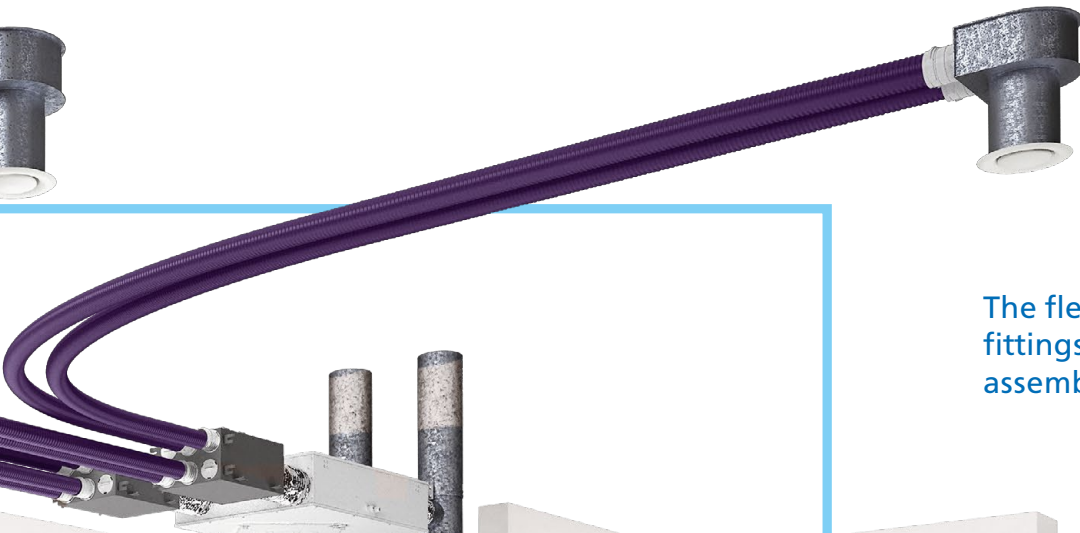
The **BLAUFast** system is designed for joint operation with air handling units.

An air handling unit enables air transportation, filtration and heat recovery.

The **BLAUFast** system enables correct air distribution between the rooms.

In contrast to standard ventilation system to be mounted exclusively in the ceiling or walls the **BLAUFast** system has wider mounting possibilities.

The air ducts are suitable for ceiling, floor or wall mounting. The assembly is easy and cost-effective.



The flexible air ducts and versatile fittings are designed to make assembly quick and simple.



SYSTEM DESIGN

The basic system components required for construction of mechanical ventilation with heat recovery in living spaces compatible with **BLAUFAST** duct system are as follows:

- Semi-rigid air ducts **BLAUFAST RK** for air transportation.
- Air distribution boxes for air distribution between the rooms and connection of **BLAUFAST SR** air ducts to the main duct.
- Connectors **BLAUFAST RP** with grilles for supply air distribution and extract air collection.
- Air handling unit with heat recovery Blauberg KOMFORT.
- Main heat-insulated air ducts **BLAUFLEX Iso N**.
- External grilles and hoods for fresh air intake and exhaust air removal.
- Fittings.



1
Semi-rigid air duct
BLAUFAST RK



2
Round flange
BLAUFAST RKF



3
Lock ring
BLAUFAST RS



4
Round flange cap
BLAUFAST RFP



5
Air distribution box cap
BLAUFAST RSP



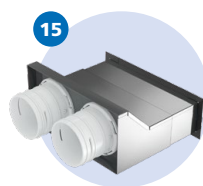
6
Coupling sleeve
BLAUFAST RM



13
Round bend
BLAUFAST RB



14
Air disc valve
VPR



15
Wall-mounted metal connector
BLAUFAST RPW



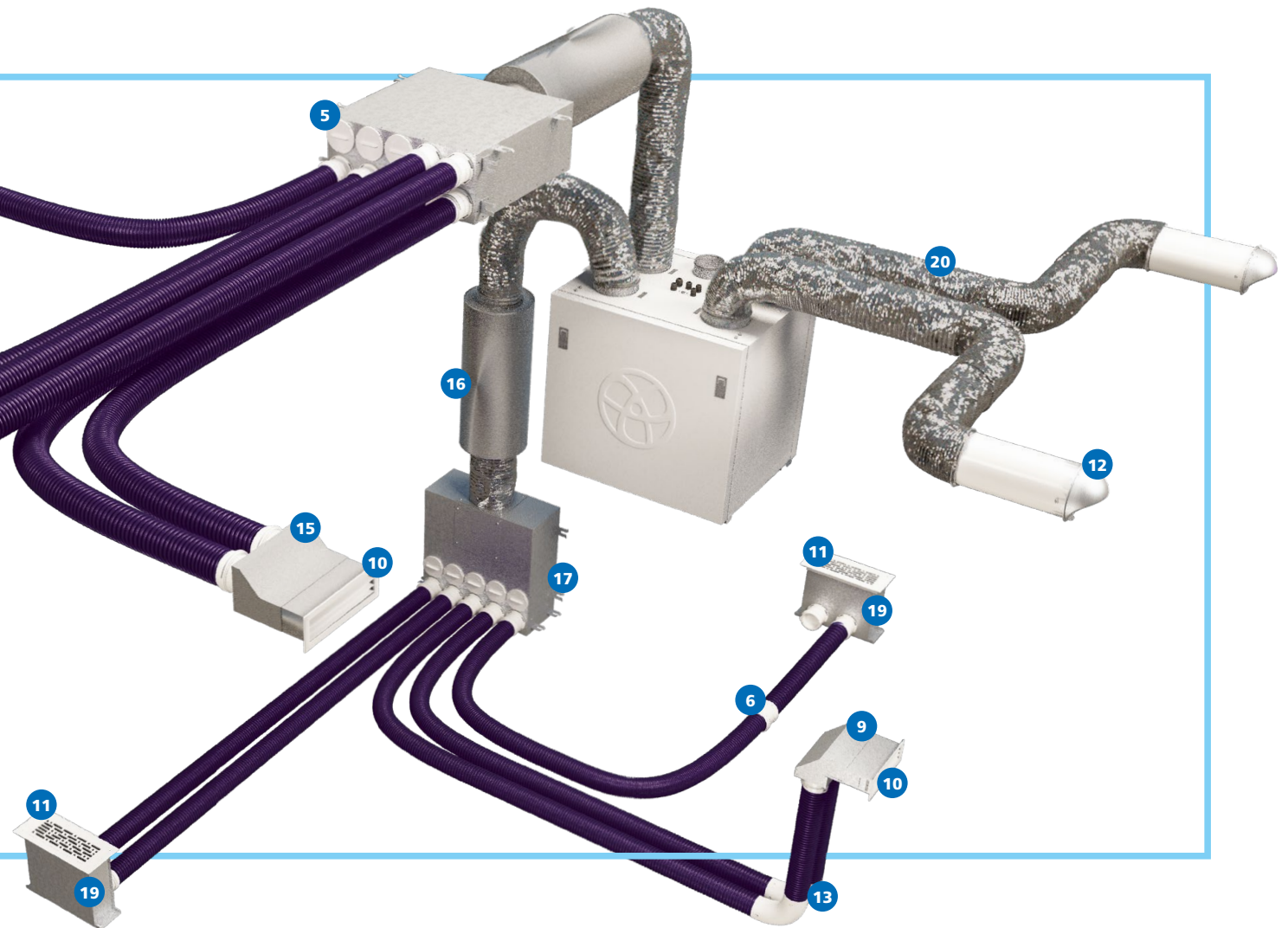
16
Silencer
SD



17
Metal air distribution box
BLAUFAST SR



18
Coupling sleeve
**BLAUFAST-BLAUPLAST
BLAUFAST MH**



Ceiling-mounted plastic connector
BLAUFAST RPZ



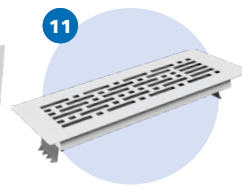
Ceiling-mounted metal connector
BLAUFAST RPZ



Wall-mounted metal connector
BLAUFAST RPWB



Wall-mounted metal grille
BLAUFAST GW



Floor-mounted metal overlay grille
BLAUFAST GF



Ventilation hood
DECOR S...HK



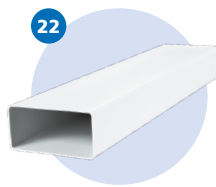
Floor-mounted metal connector
BLAUFAST RPW



Insulated air duct
BLAUFLEX Iso N



Vertical bend
BLAUPLAST FKW



Plastic air duct
BLAUPLAST FK

MORE COMFORT, LESS COSTS

Modular **BLAUFAST** system saves living space and offers nonstandard design solutions.



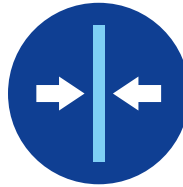
- › Smooth inner surface makes maintenance easy.



- › Compatible with BLAUPLAST ductwork system.



- › No air leakages.



- › Compact size. Suitable for non-standard ceilings with complicated geometry and heated floors.



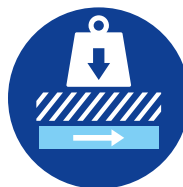
- › Low noise.



- › Quick and fast assembly due to flexible air ducts and versatile fittings. No special tools and qualification required.

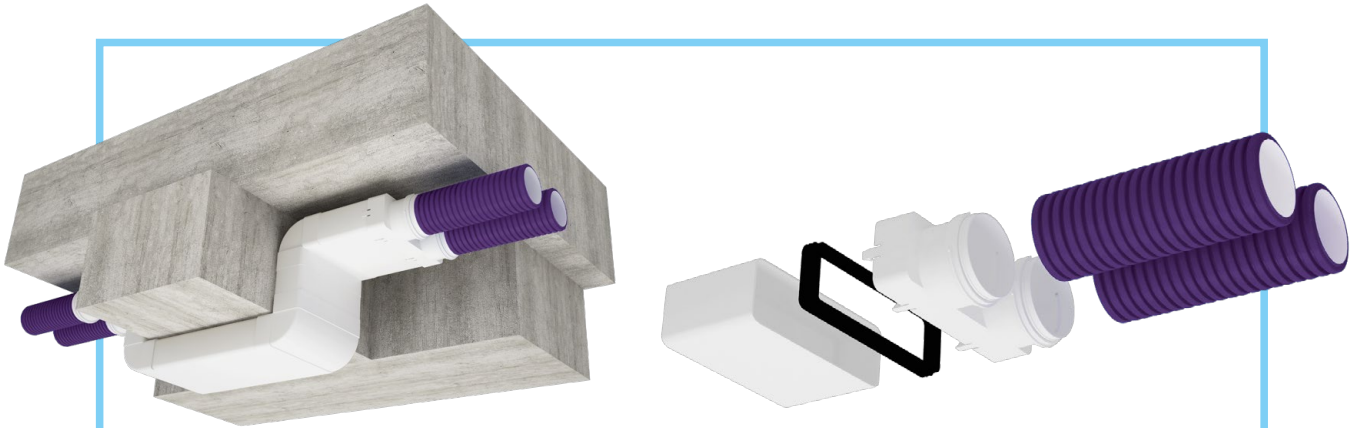


- › Pleasant interior look. The ventilation lines are covered with suspended ceilings, floors or walls. Ventilation supply and exhaust grilles are the only visible components.



- › The material and the form of the semi-rigid air ducts are designed for high external load capacity, i.e. pressure of the concrete floor.

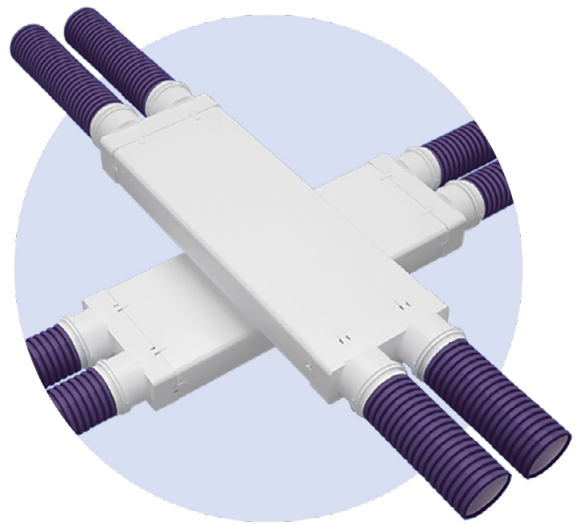
BLAUFAST AND BLAUPLAST CONNECTION



If a room shape is not suitable for **BLAUFAST** air ducts (inserted floors, partition walls, complicated bends), **BLAUPLAST** system are recommended for use. Connections are made with a coupling sleeve.

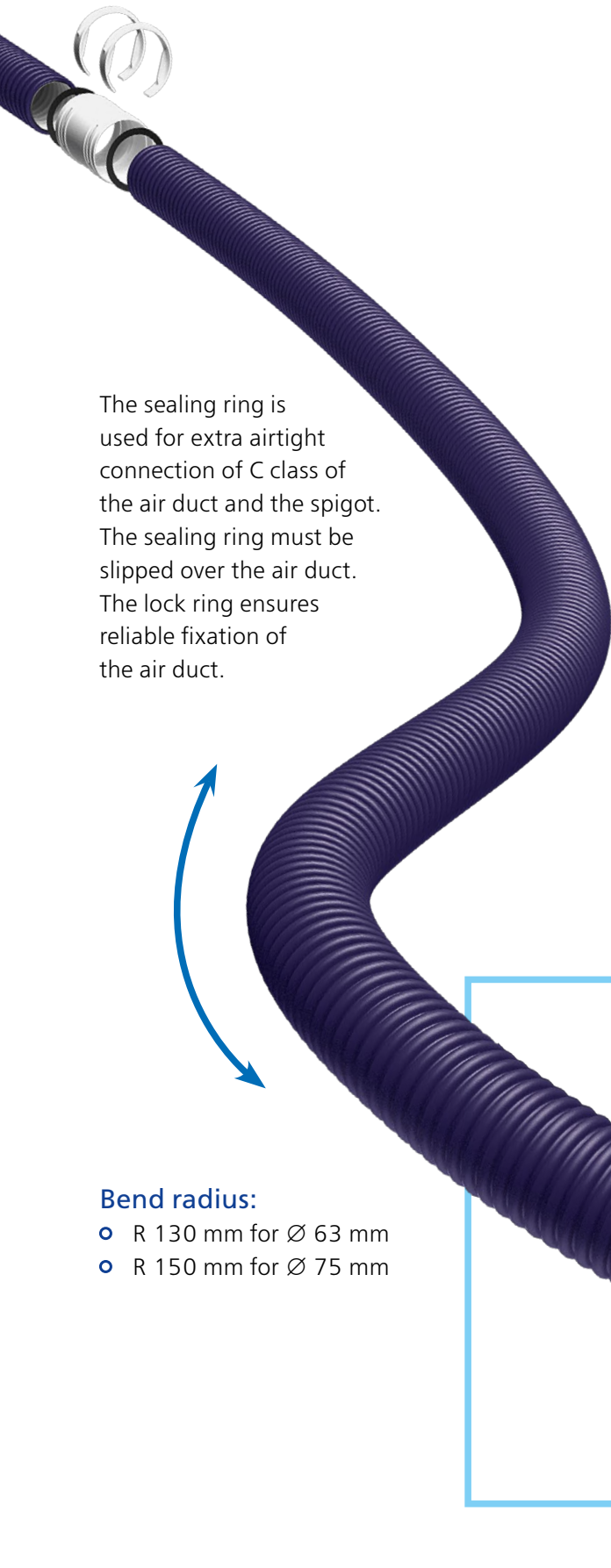


Wall vent without connectors



Intersection of **BLAUPLAST** air ducts

AIR DUCTS



The sealing ring is used for extra airtight connection of C class of the air duct and the spigot. The sealing ring must be slipped over the air duct. The lock ring ensures reliable fixation of the air duct.

Bend radius:

- R 130 mm for Ø 63 mm
- R 150 mm for Ø 75 mm

The **BLAUFAST** air ducts are made of high-quality plastic using the co-extrusion technology.

The corrugated external layer of the air ducts provides high strength and flexibility.

This construction also enables easy bending anywhere without any extra tools.

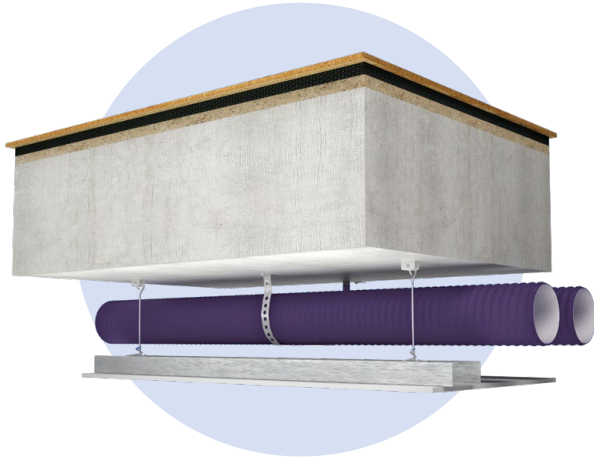


Besides, the **BLAUFAST** air ducts are featured with smooth inner surface to decrease air resistance and boost ventilation performance.

The smooth inner surface of the **BLAUFAST** air ducts makes maintenance simple.

MOUNTING OPTIONS FOR AIR DUCTS

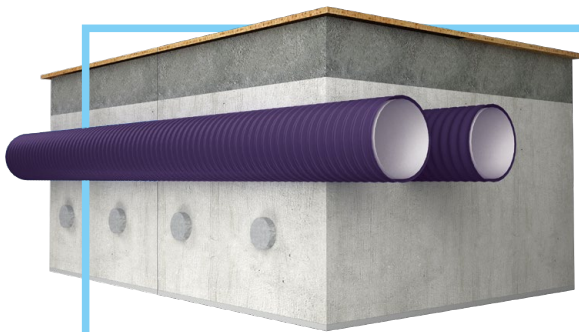
In the suspended ceilings



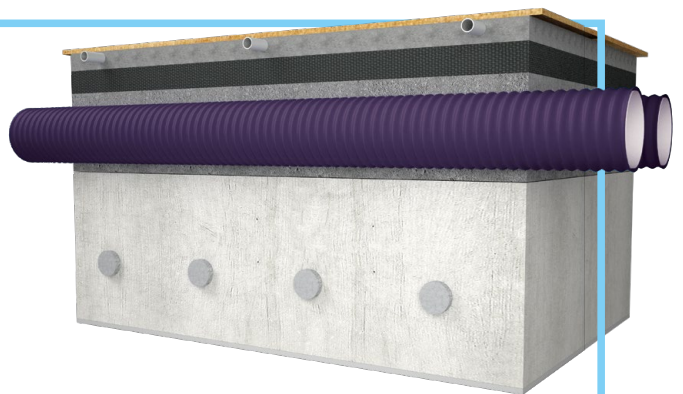
Inside of wooden inter-floor overlap through the beams



Floor concreting

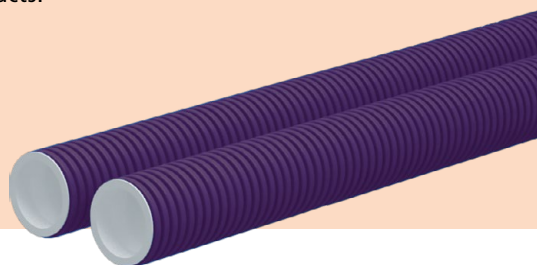


Floor concreting combined with underfloor heating systems

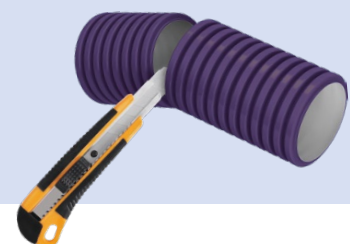


The **BLAUFAST** ducts have the load capacity of 8 kN/m^2 and are not prone to deformation.

A specially designed cap is used to prevent ingress of construction waste into the air ducts.

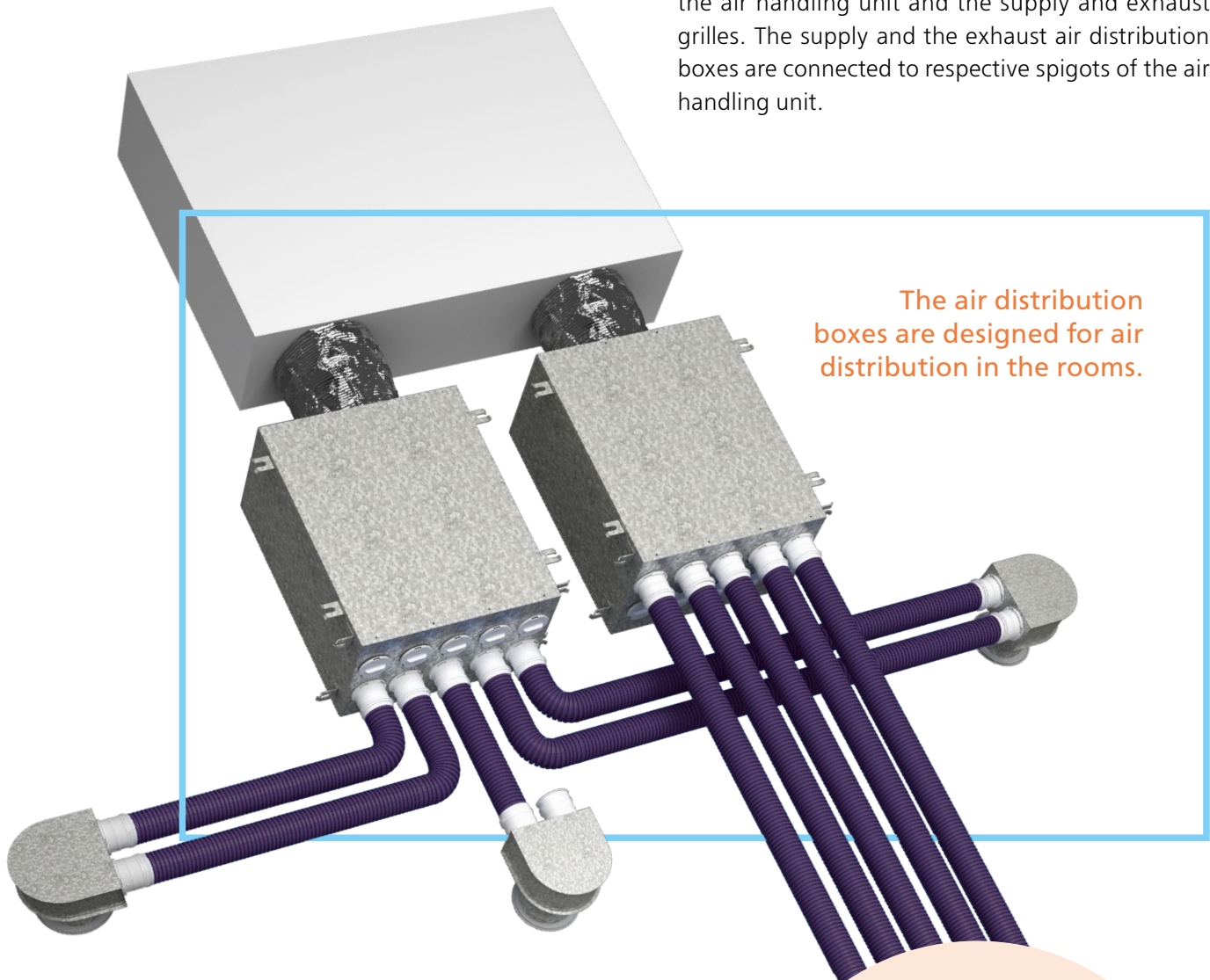


A standard knife is enough to cut a required duct length and no other tools are required for mounting.



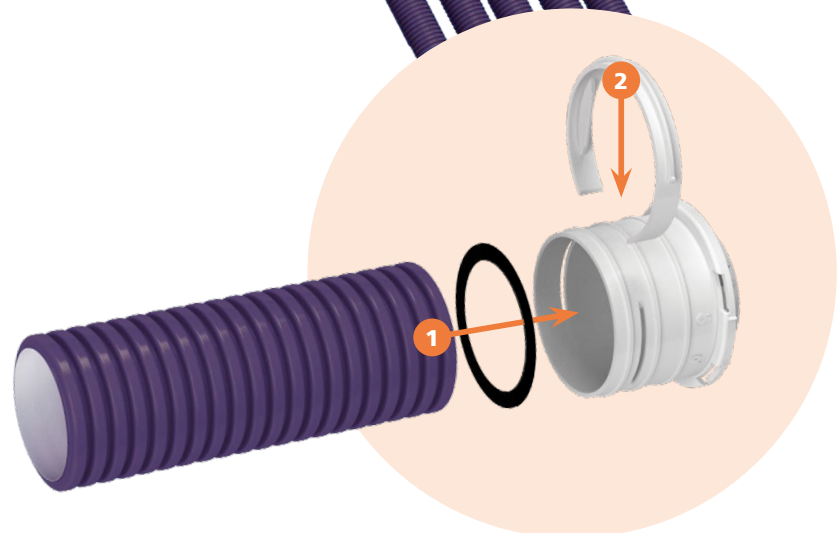
AIR DISTRIBUTION BOXES

The air distribution boxes are installed between the air handling unit and the supply and exhaust grilles. The supply and the exhaust air distribution boxes are connected to respective spigots of the air handling unit.



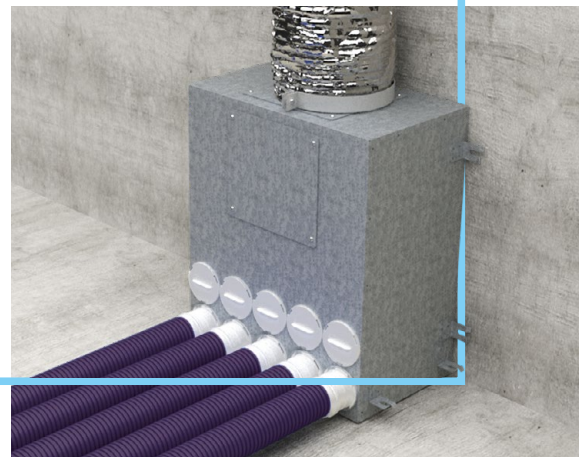
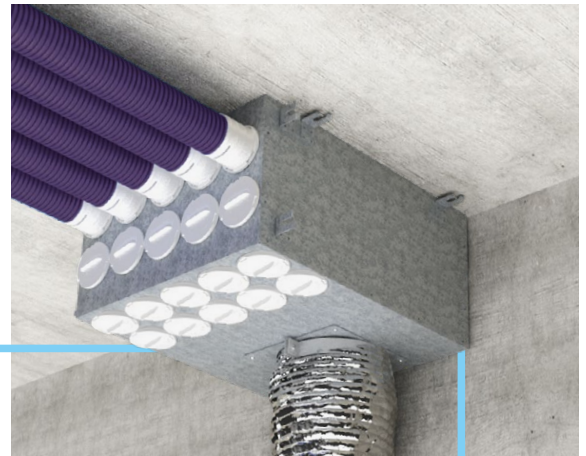
The air distribution boxes are designed for air distribution in the rooms.

The lock ring (included in the delivery) and the sealing ring (available as a specially ordered accessory) provide airtight connection of the air duct to the flange.



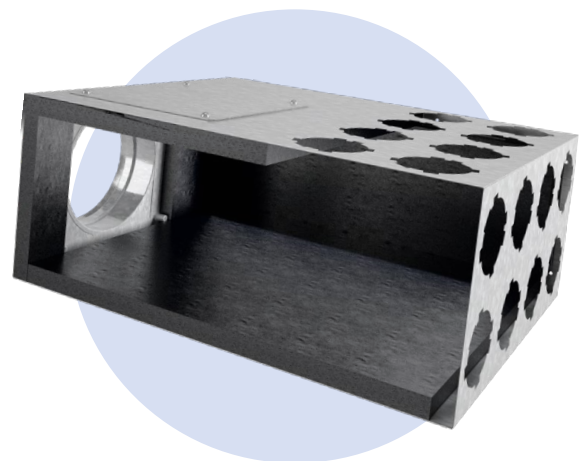
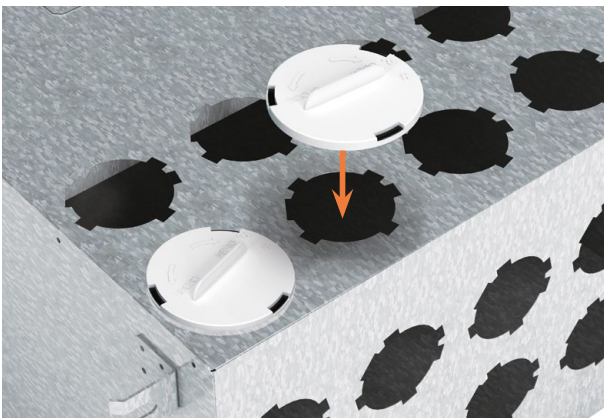
A number of connected semi-rigid air ducts to the air distribution box depends on number of served rooms and air capacity of the connected air handling unit. Connection is performed through the flanges inserted in the box vents.

Unused vents must be covered with caps. The air ducts are fixed in the spigots with the lock rings. All the system components are rubber sealed for airtight connections.



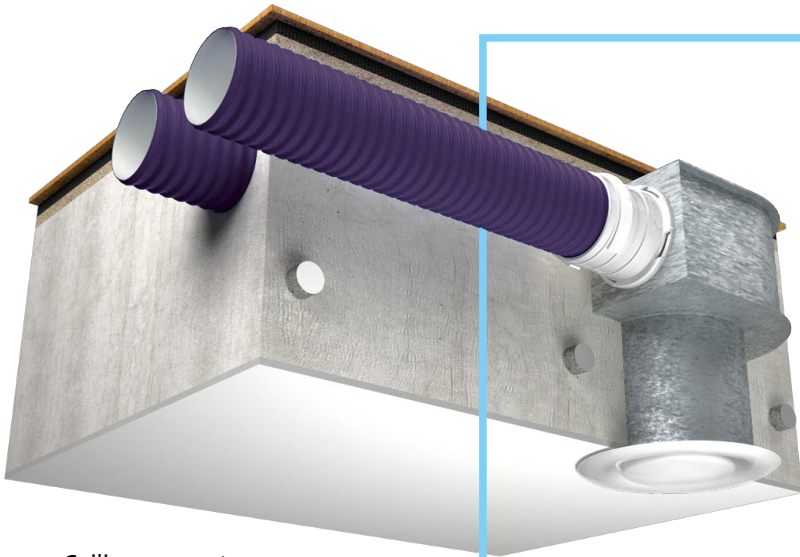
The air distribution boxes are designed for vertical floor installation or horizontal ceiling installation.

The unused vents of the air distribution box must be capped.



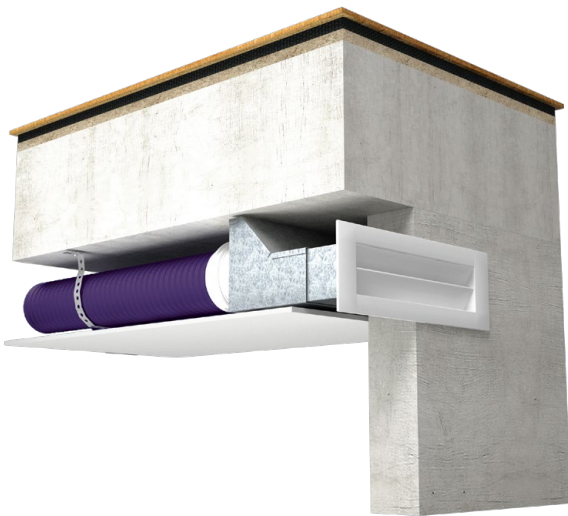
The air distribution boxes are internally lined with 20 mm sound insulation layer.

CONNECTORS



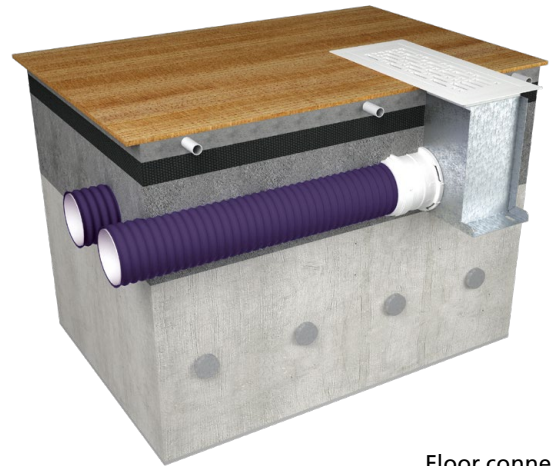
Ceiling connector
concreting

The connectors are used for connection of air ducts with ventilation grilles and air disc valves.



Ventilation grilles and air disc valves are used for decoration of connector vents.

Air supply through the floor connector is a good solution for displacement ventilation.



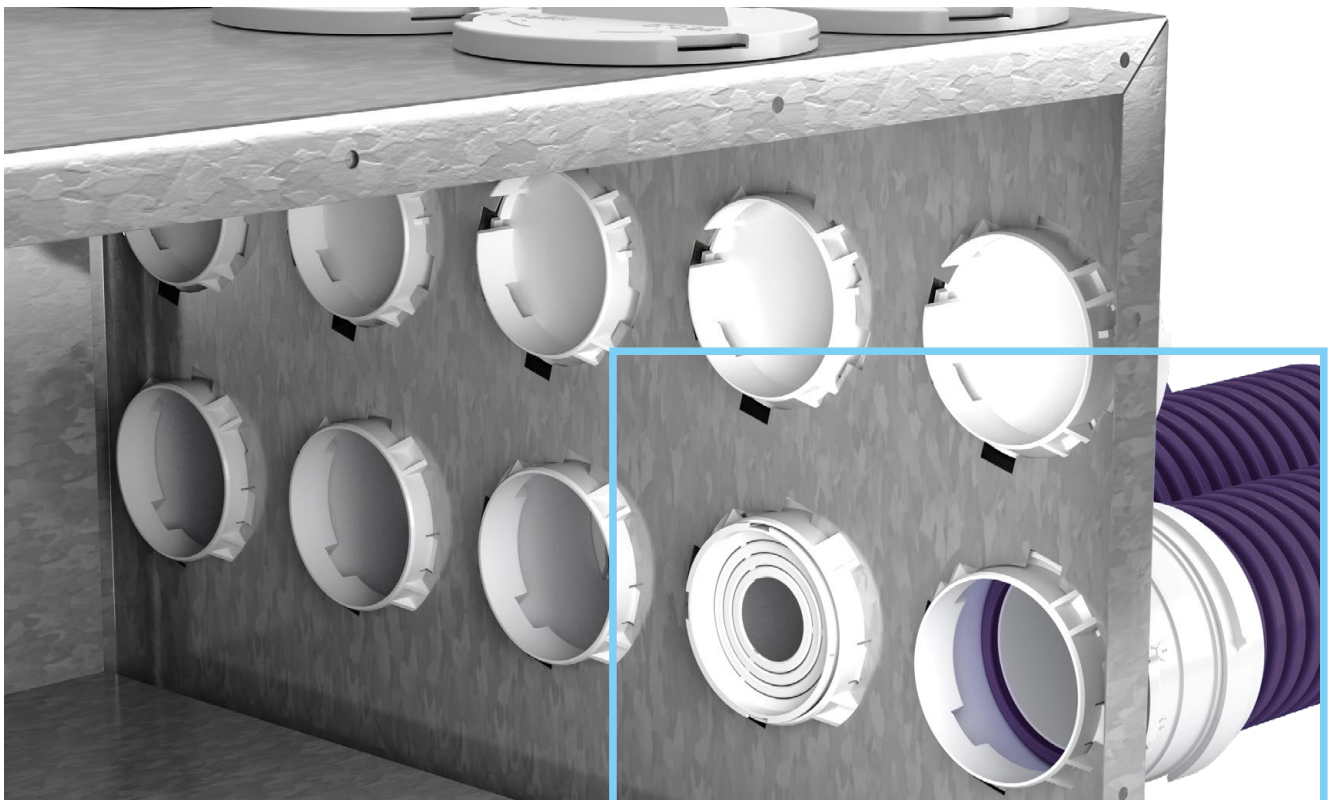
Floor connector
concreting combined
with underfloor heating systems.



Depending on required capacity one or two air ducts are connected to the connector.

Unused spigot is capped.

AIR THROTTLING DAMPERS



The air throttling damper is inserted in the spigot from inside of the distribution box. Cut the diaphragms and remove unnecessary rings to regulate the air resistance (air flow pass).

Air flow regulation is performed with throttles

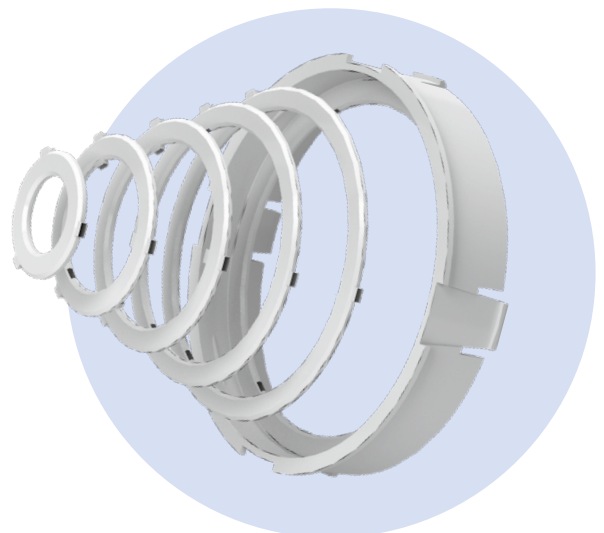
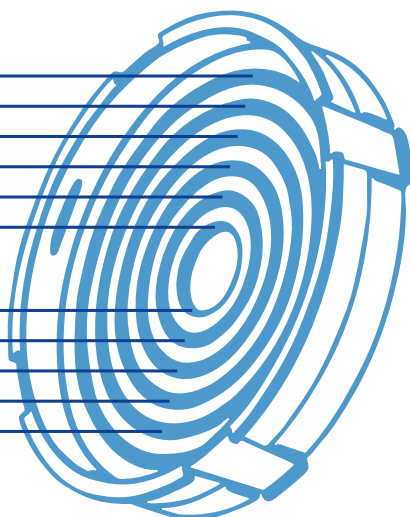
AIR RESISTANCE LEVELS

System 75

- 21.0 cm²
- 15.0 cm²
- 10.0 cm²
- 6.0 cm²
- 3.0 cm²
- 1.0 cm²

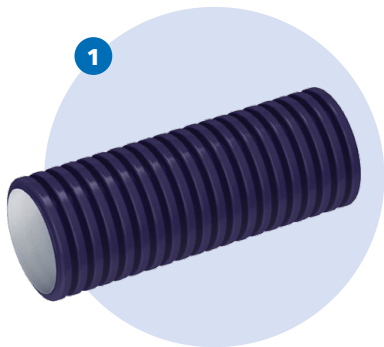
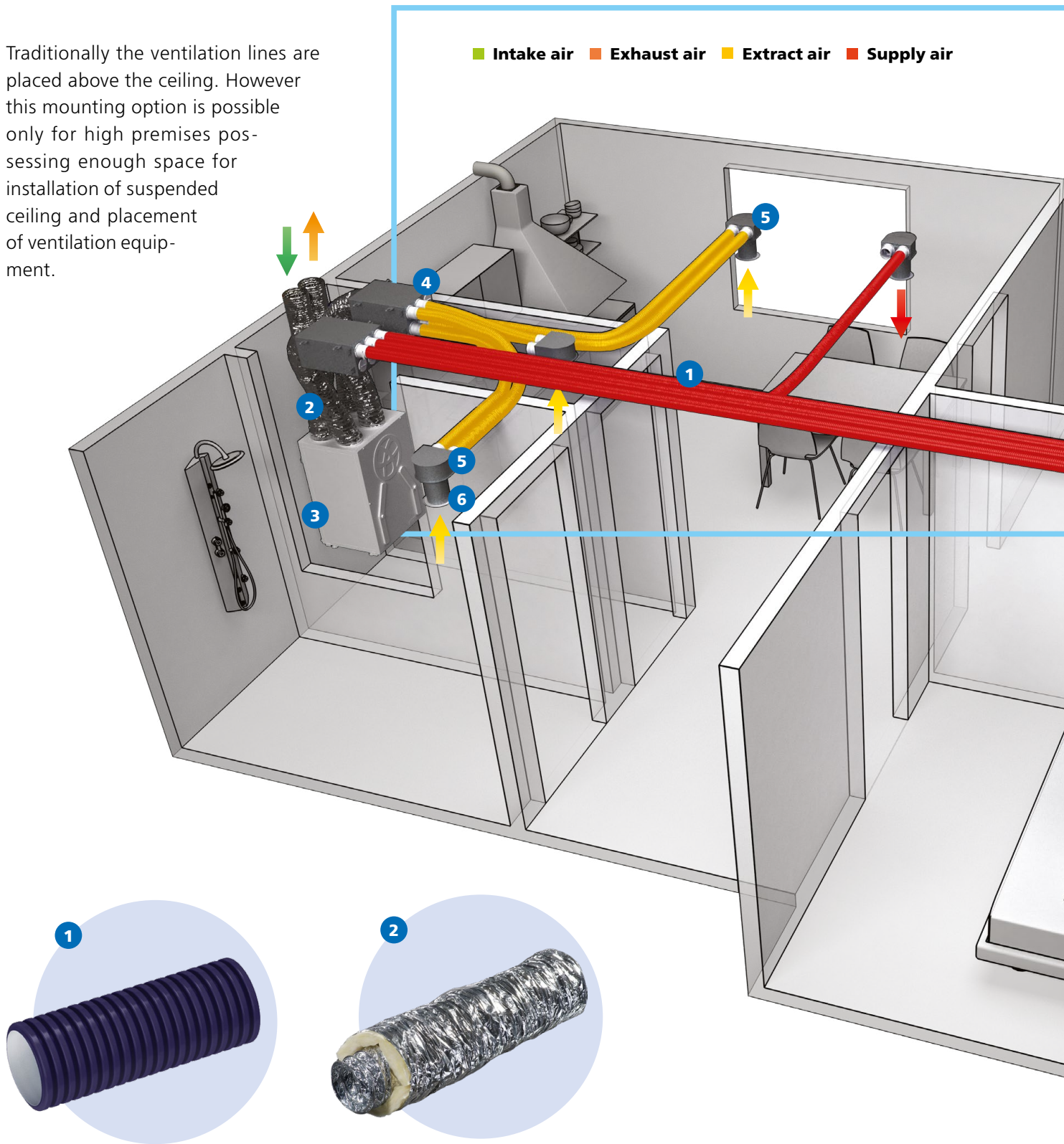
System 63

- 0.4 cm²
- 2.0 cm²
- 4.0 cm²
- 7.596 cm²
- 12.007 cm²



CEILING MOUNTING EXAMPLE

Traditionally the ventilation lines are placed above the ceiling. However this mounting option is possible only for high premises possessing enough space for installation of suspended ceiling and placement of ventilation equipment.

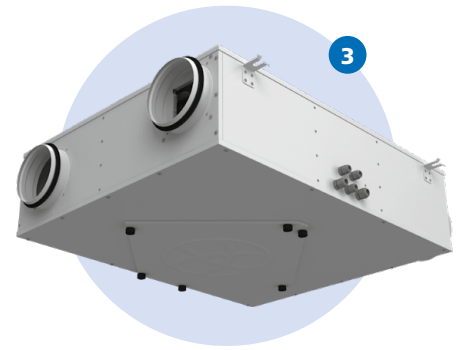
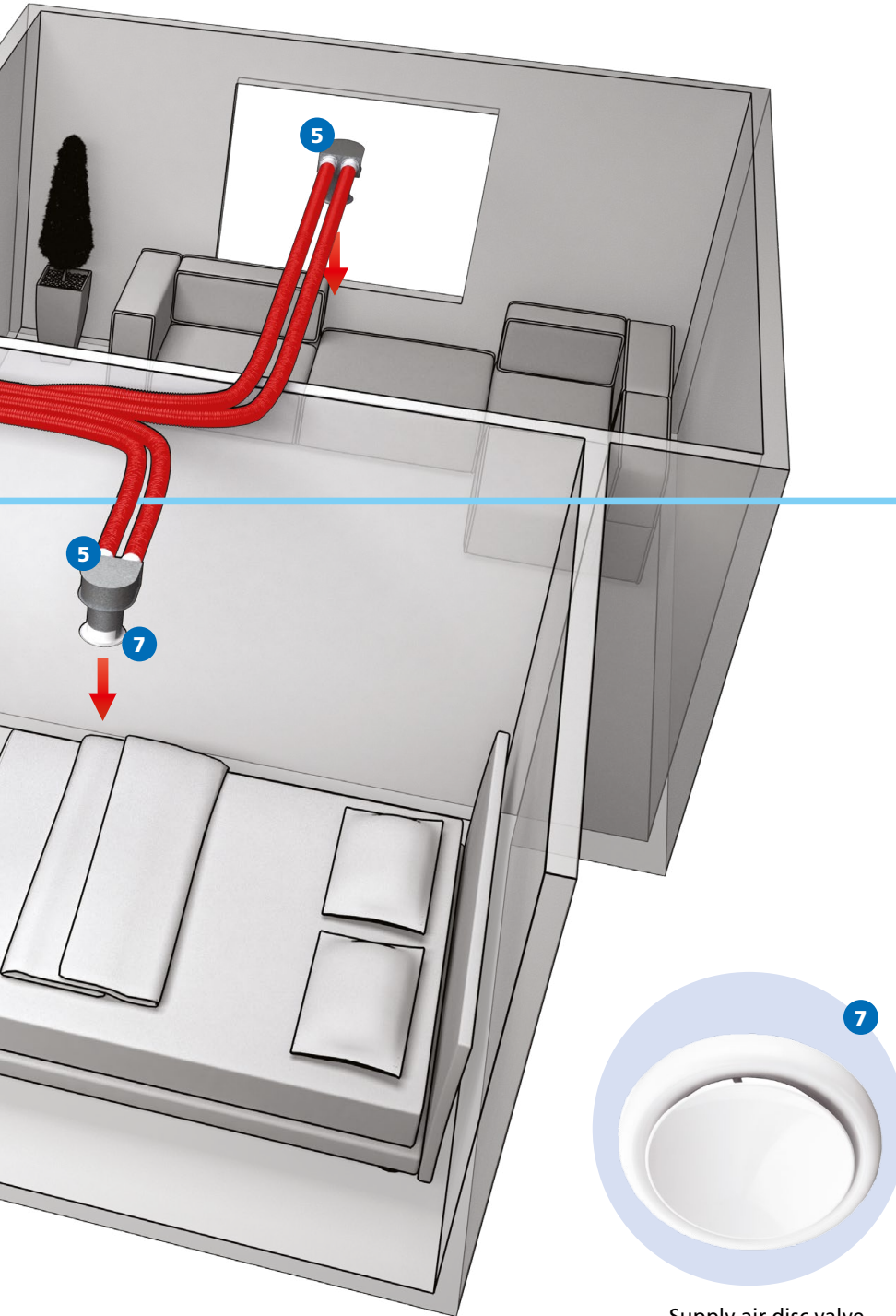


Semi-rigid air duct
BLAUFAST RK

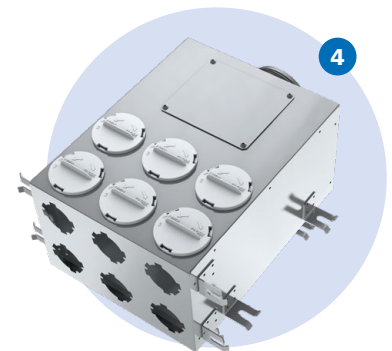


Insulated air duct
BLAUFLEX Iso N

The semi-rigid air ducts **BLAUFAST** are designed to provide simple mounting, save living space, time and efforts.



Air handling unit



Metal air distribution box
BLAUFAST SR



Ceiling-mounted metal connector
BLAUFAST RPZ



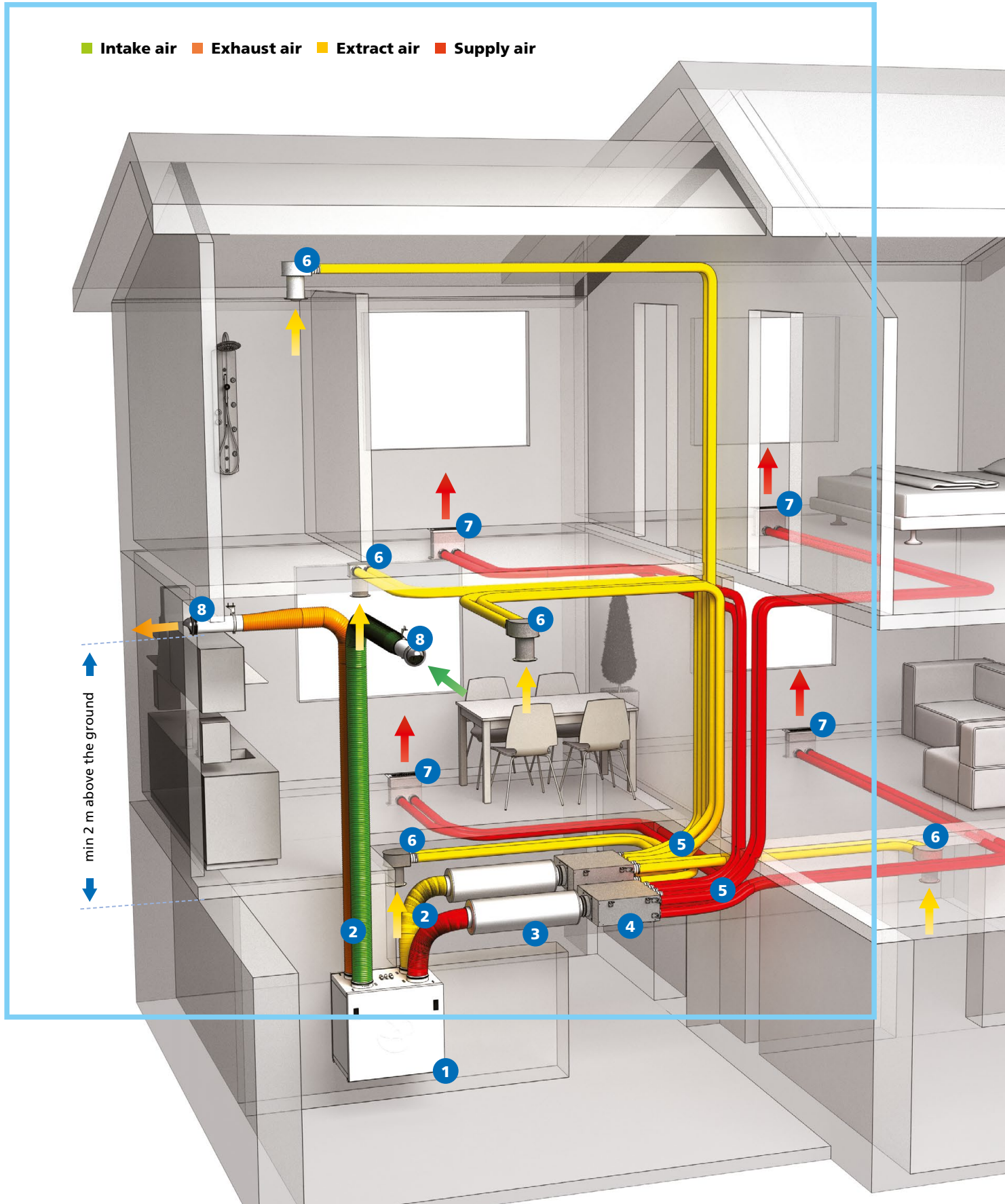
Supply air disc valve
VMBR



Extract air disc valve
VMR

FLOOR-CEILING MOUNTING EXAMPLE

■ Intake air
 ■ Exhaust air
 ■ Extract air
 ■ Supply air





Air handling unit
KOMFORT



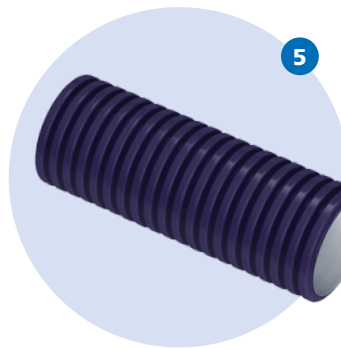
Insulated air duct
BLAUFLEX Iso N



Silencer
SD



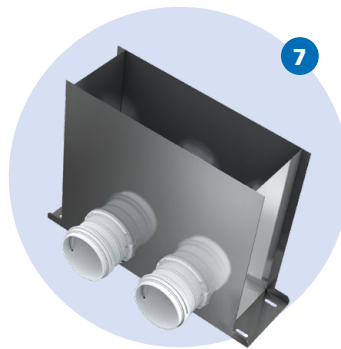
Metal air distribution box
BLAUFAST SR



Semi-rigid air duct
BLAUFAST RK



Ceiling-mounted metal connector
BLAUFAST RPZ



Floor-mounted metal connector
BLAUFAST RPW



Ventilation hood
DECOR S...HK

TECHNICAL DATA

The calculation of the ventilation system and selection of fittings must be based on local construction norms.*

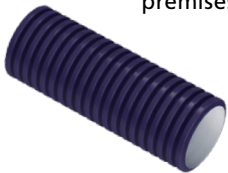
		Air flow rate [m ³ /h]	Air exchange rate per hour
total flat		–	0.4 – 1
per one person		30	–
bathrooms, WC	any ventilation period	60	–
	ventilation period > 12 hours	45	–
toilet	any ventilation period	30	–
	ventilation period > 12 hours	25	–
kitchen	any ventilation period	60	–
	ventilation period > 12 hours	45	–

* recommended air exchange rate for residential buildings in compliance with DIN 1964.6 and DIN 18017.3

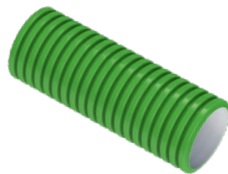
DUCTS AND ACCESSORIES

ROUND AIR DUCT BLAUFAST RK 63/50 BLAUFAST RK 75/50

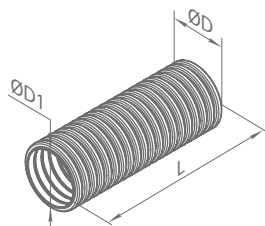
For supply and exhaust systems in residential premises.



ROUND ANTIBACTERIAL AND ANTISTATIC AIR DUCT BLAUFAST RK 63/50 01 BLAUFAST RK 75/50 01

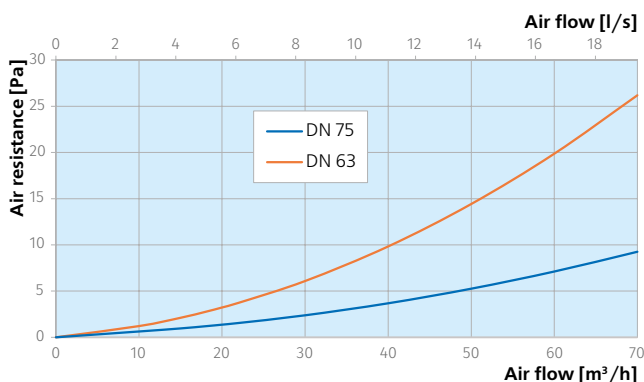


ROUND ANTISTATIC AIR DUCT BLAUFAST RK 63/50 02 BLAUFAST RK 75/50 02



- Made of high-density polyethylene (HDPE).
- Circular density 8 kN/m² in compliance with EN ISO 9969.
- Smooth inner surface for low air resistance and easy cleaning.
- Operation temperature from -20 up to +60 °C.

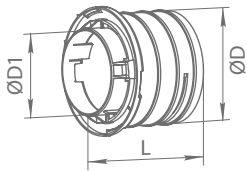
	Model	Bend radius [mm]	ØD [mm]	ØD1 [mm]	L [m]
DN63	BlauFast RK 63/50	130	63	51.3	50
DN75	BlauFast RK 75/50	150	75	63.3	50
DN63	BlauFast RK 63/50 01	130	63	51.3	50
DN75	BlauFast RK 75/50 01	150	75	63.3	50
DN63	BlauFast RK 63/50 02	130	63	51.3	50
DN75	BlauFast RK 75/50 02	150	75	63.3	50



Nominal air duct diameter	DN63			DN75			
	Air speed [m/s]	2	2.5	3	2	2.5	3
1 air duct - air flow [m ³ /h]	15	18	22	22	28	34	
2 air ducts - air flow [m ³ /h]	29	37	44	45	56	67	
3 air ducts - air flow [m ³ /h]	44	55	66	-	-	-	
	Air resistance in the air duct [Pa]						
Air duct length [m]	2	4.0	5.4	7.6	2.5	3.4	4.8
	4	8.0	10.8	15.2	5.0	6.8	9.6
	6	12.0	16.2	22.8	7.5	10.2	14.4
	8	16.0	21.6	30.4	10.0	13.6	19.2
	10	20.0	27.0	38.0	12.5	17.0	24.0
	12	24.0	32.4	45.6	15.0	20.4	28.8
	14	28.0	37.8	53.2	17.5	23.8	33.6
	16	32.0	43.2	60.8	20.0	27.2	38.4
18	36.0	48.6	68.4	22.5	30.6	43.2	

ROUND FLANGE BLAUFAST RKF

For connection of the air ducts to the connectors and air distribution boxes.

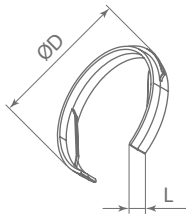


- Fixation of the **BLAUFAST** air duct with the **BLAUFAST RS** lock ring (included in the delivery).
- The **BLAUFAST RL** sealing ring (available as a special accessory) is used to provide airtightness class C.
- Made of polypropylene (PP) with thermoplastic elastomer (SEBS).
- Operation temperature from -20 up to +60 °C.

	Model	ØD [mm]	ØD1 [mm]	L [mm]
DN63	BlauFast RKF 63	72	54	77
DN75	BlauFast RKF 75	84	66	77

LOCK RING BLAUFAST RS

For fixation of the air duct in the **BLAUFAST RKF** flange.

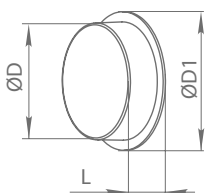


- Made of polypropylene (PP) with thermoplastic elastomer (SEBS).
- Operation temperature from -20 up to +60 °C.

	Model	ØD [mm]	L [mm]
DN63	BlauFast RS 63	79	13
DN75	BlauFast RS 75	91	13

ROUND DUCT CAP BLAUFAST RKP

For covering of the duct openings.

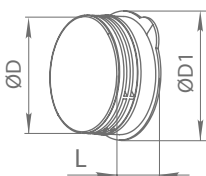


- Made of polypropylene (PP) with thermoplastic elastomer (SEBS).
- Operation temperature from -20 up to +60 °C.

	Model	ØD [mm]	ØD1 [mm]	L [mm]
DN63	BlauFast RKP 63	51.4	63	20
DN75	BlauFast RKP 75	63.2	75	20

ROUND FLANGE CAP BLAUFAST RFP

For covering of unused flanges in the connectors.

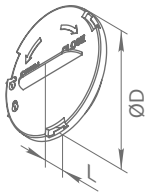


- The **BLAUFAST RL** sealing ring (included in the delivery) is used to provide airtightness class C.
- Made of polypropylene (PP) with thermoplastic elastomer (SEBS).
- Operation temperature from -20 up to +60 °C.

	Model	ØD [mm]	ØD1 [mm]	L [mm]
DN63	BlauFast RFP 63	69	80	30
DN75	BlauFast RFP 75	77	95	32

AIR DISTRIBUTION BOX CAP BLAUFAST RSP

For covering of unused openings in the air distribution boxes.

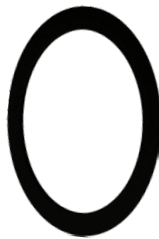
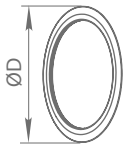


- The **BLAUFAST RL** sealing ring (included in the delivery) is used to provide airtightness class C.
- Made of polypropylene (PP) with thermoplastic elastomer (SEBS).
- Operation temperature from -20 up to +60 °C.

	Model	ØD [mm]	L [mm]
DN63	BlauFast RSP 63	84	29
DN75	BlauFast RSP 75	96	29

SEALING RING BLAUFAST RL

For sealing of air ducts Ø 63 and 75 mm and **BLAUFAST RFP** caps.

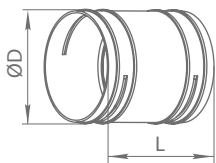


- Made of synthetic rubber.
- Operation temperature from -20 up to +60 °C.

	Model	ØD [mm]
DN63	BlauFast RL 63	67
DN75	BlauFast RL 75	79

COUPLING SLEEVE BLAUFAST RM

For air supply or air exhaust systems in residential premises.
For connection of the air ducts.

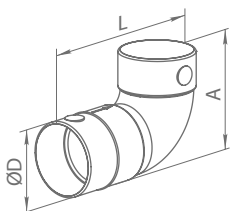


- Fixation of the **BLAUFAST** air duct with the **BLAUFAST RS** lock ring (included in the delivery).
- The **BLAUFAST RL** sealing ring (available as a special accessory) is used to provide airtightness class C.
- Made of polypropylene (PP) with thermoplastic elastomer (SEBS).
- Operation temperature from -20 up to +60 °C.

	Model	ØD [mm]	L [mm]
DN63	BlauFast RM 63	70	95
DN75	BlauFast RM 75	79	95

ROUND BEND BLAUFAST RB

For connection of the air ducts 75 mm with the angle of 90°.



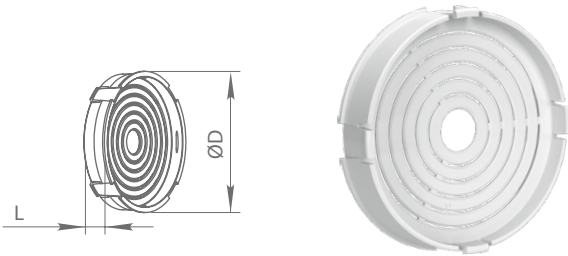
- The **BLAUFAST RL** sealing ring (available as a special accessory) is used to provide airtightness class C.
- Made of PVC.
- Operation temperature from -20 up to +60 °C.

	Model	ØD [mm]	L [mm]	A [mm]
DN75	BlauFast RB 75	78	178	128.7

ROUND AIR THROTTLING DAMPER BLAUFAST RD

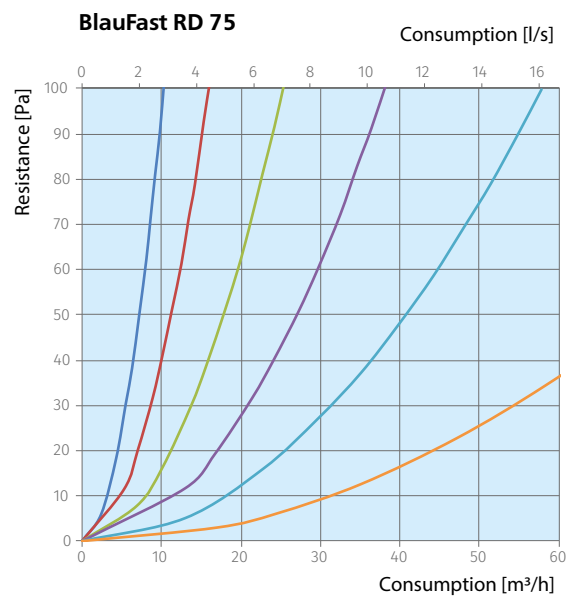
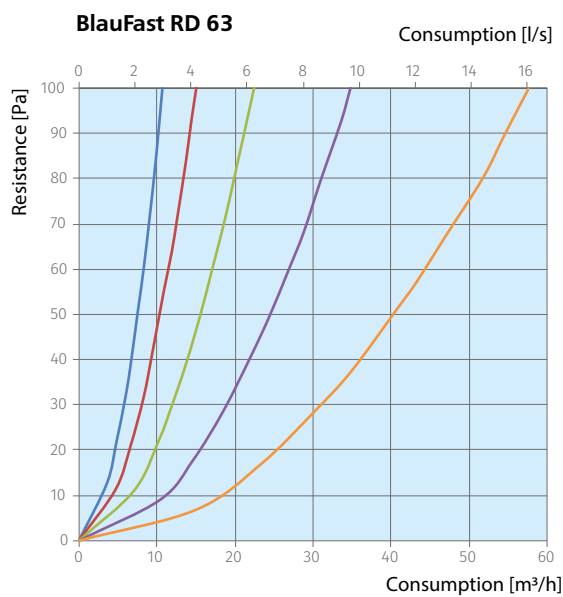
Supply or exhaust ventilation systems of residential spaces.

Adjusting the air flow in the duct.



- Inserted in the **BLAUFAST RKF** flanges from inside of the **BLAUFAST SR** air distribution box. Cut away unnecessary rings for air flow regulation.
- Made of polypropylene (PP) with thermoplastic elastomer (SEBS).
- Operation temperature from -20 up to +60 °C.

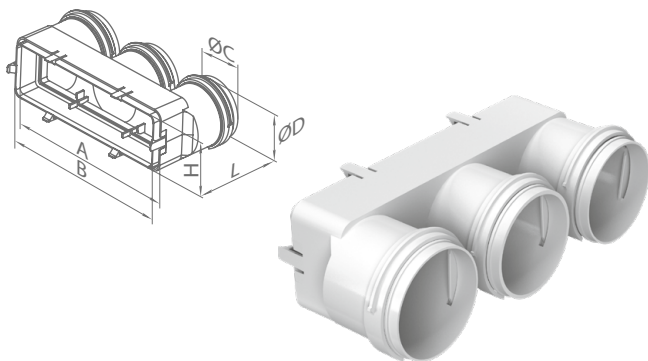
	Model	ØD [mm]	L [mm]
DN63	BlauFast RD 63	50	14
DN75	BlauFast RD 75	62	14



■ All rings in place ■ -1 ring ■ -2 rings ■ -3 rings ■ -4 rings ■ All rings are cut

COUPLING SLEEVE BLAUFAST MH

For connection of **BLAUFAST** air ducts
Ø 63 mm and **BLAUPLAST FK** 204x60 mm.

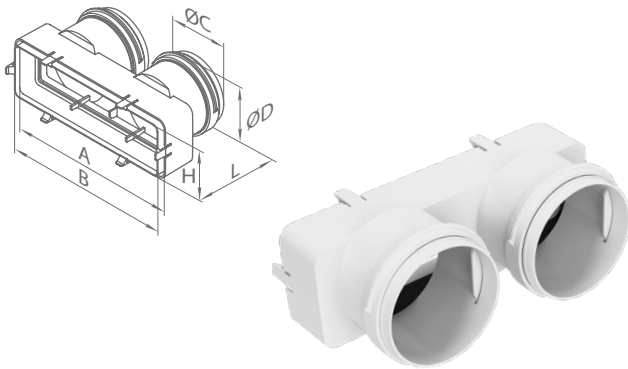


- Made of polypropylene (PP) with thermoplastic elastomer (SEBS).
- Fixation of the **BLAUFAST** duct with the **BLAUFAST RS** lock ring (included in the delivery).
- The **BLAUFAST RL** sealing ring (available as a special accessory) is used to provide airtightness class C.
- Operation temperature from -20 up to +60 °C.

	Model	A [mm]	B [mm]	H [mm]	L [mm]	ØC [mm]	ØD [mm]
DN63	BlauFast MH 63/204x60	217	204	60	104	72	79

COUPLING SLEEVE BLAUFast MH

For connection of **BLAUFast** air ducts
Ø 75 mm and **BLAUPLAST FK** 204x60 mm.



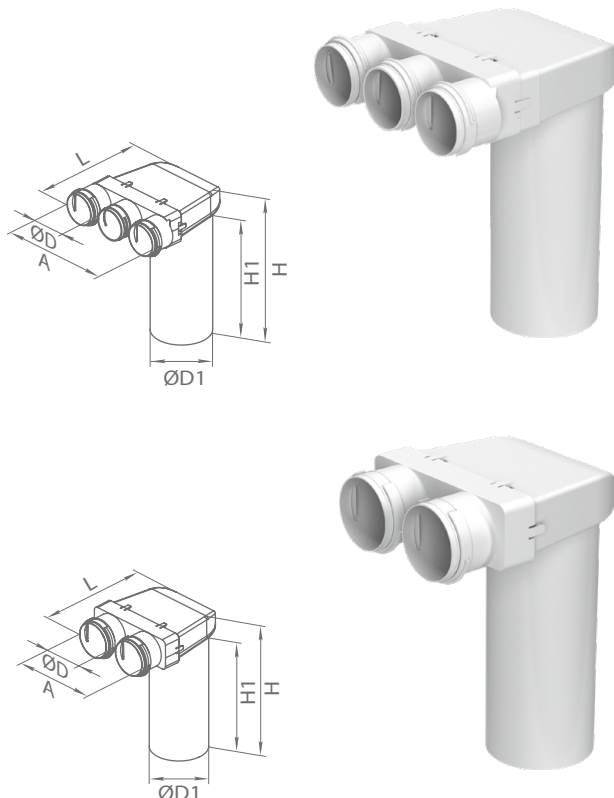
- Fixation of the **BLAUFast** duct with the **BLAUFast RS** lock ring (included in the delivery).
- Made of polypropylene (PP) with thermoplastic elastomer (SEBS).
- The **BLAUFast RL** sealing ring (available as a special accessory) is used to provide airtightness class C.
- Operation temperature from -20 up to +60 °C.

	Model	A [mm]	B [mm]	H [mm]	L [mm]	ØC [mm]	ØD [mm]
DN63	BlauFast MH 75/204x60	217	204	60	98	84	91

PLASTIC CONNECTORS

ROUND CEILING MOUNTED CONNECTOR BLAUFast RPZ

For supply or exhaust ventilation systems
of residential spaces.
Ceiling mounted.
Connecting the ventilation grille to
Ø 63 and 75 mm **BLAUFast** ducts.



- Made of polypropylene (PP) with thermoplastic elastomer (SEBS).
- Fixation of the **BLAUFast** air duct with the **BLAUFast RS** lock ring (included in the delivery).
- The **BLAUFast RL** sealing ring (available as a special accessory) is used to provide airtightness class C.
- Operation temperature from -20 up to +60 °C.

	Model	ØD [mm]	ØD1 [mm]	L [mm]	A [mm]	H [mm]	H1 [mm]
DN63	BlauFast RPZ 125/63x3	72	128	282	251	367	300
DN75	BlauFast RPZ 125/75x2	84	128	282	218	367	300

BlauFast RPZ 125/63x3

Air capacity [m³/h]	Quantity of connected air ducts	Air supply, air resistance [Pa]	Air exhaust, air resistance [Pa]
25	1	9.3	8.2
50	2	6.8	5.4
75	3	5.7	3.7

BlauFast RPZ 125/75x2

Air capacity [m³/h]	Quantity of connected air ducts	Air supply, air resistance [Pa]	Air exhaust, air resistance [Pa]
30	1	3.2	2.1
60	2	5.4	3.7

METAL CONNECTORS

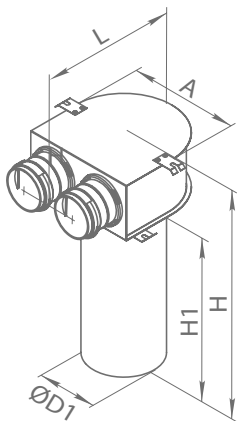
ROUND CEILING MOUNTED CONNECTOR BLAUFAST RPZ ... M

For supply or exhaust ventilation systems of residential spaces.

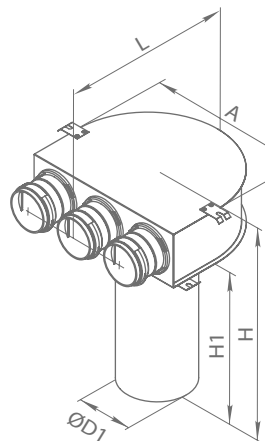
Ceiling mounted.

Connecting the ventilation grille to \varnothing 63 and 75 mm **BLAUFAST** ducts.

- The connector is made of metal and fitted with polypropylene spigots.
- Fixation of the **BLAUFAST** air duct with the **BLAUFAST RS** lock ring (included in the delivery).
- The **BLAUFAST RL** sealing ring (available as a special accessory) is used to provide airtightness class C.



BlauFast RPZ 125/63x2 M
BlauFast RPZ 125/75x2 M



BlauFast RPZ 125/63x3 M
BlauFast RPZ 125/75x3 M

	Model	ØD1 [mm]	L [mm]	A [mm]	H [mm]	H1 [mm]
DN63	BlauFast RPZ 125/63x2 M	127	195.5	200	401.3	300
DN75	BlauFast RPZ 125/75x2 M	127	195.5	200	401.3	300
DN63	BlauFast RPZ 125/63x3 M	127	245.1	300	401.3	300
DN75	BlauFast RPZ 125/75x3 M	127	309.4	300	401.3	300

BlauFast RPZ 125/63x2 M

Air capacity [m³/h]	Quantity of connected air ducts	Air supply, air resistance [Pa]	Air exhaust, air resistance [Pa]
25	1	9.1	8.0
50	2	6.4	5.0

BlauFast RPZ 125/75x2 M

Air capacity [m³/h]	Quantity of connected air ducts	Air supply, air resistance [Pa]	Air exhaust, air resistance [Pa]
30	1	4.6	3.4
60	2	3.5	1.9

BlauFast RPZ 125/63x3 M

Air capacity [m³/h]	Quantity of connected air ducts	Air supply, air resistance [Pa]	Air exhaust, air resistance [Pa]
25	1	9.3	8.2
50	2	6.8	5.4
75	3	5.7	3.7

BlauFast RPZ 125/75x3 M

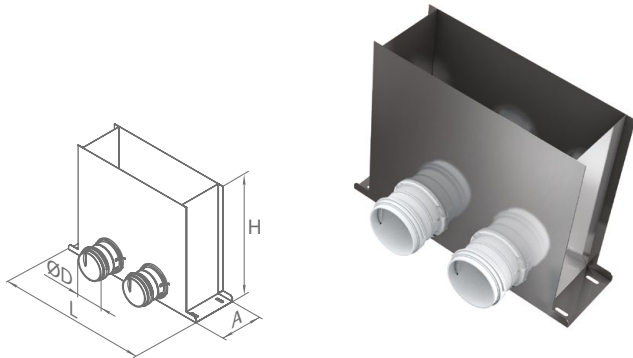
Air capacity [m³/h]	Quantity of connected air ducts	Air supply, air resistance [Pa]	Air exhaust, air resistance [Pa]
30	1	4.6	3.4
60	2	3.5	1.9
90	3	2.4	0.2

FLOOR MOUNTED CONNECTOR BLAUFAST RPF ... M

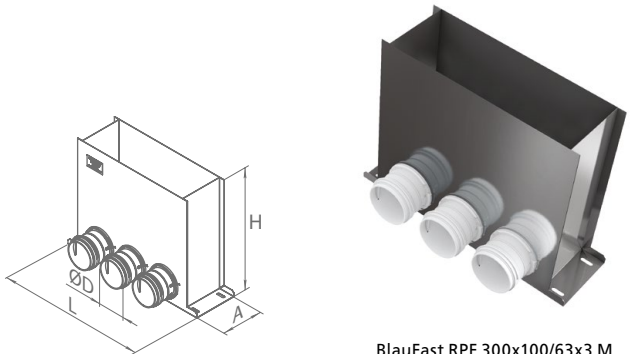
For supply or exhaust ventilation systems of residential spaces.

Floor mounted.

Connecting the floor ventilation grille to **BLAUFAST** ducts.



BlauFast RPF 300x100/63x2 M
BlauFast RPF 300x100/75x2 M



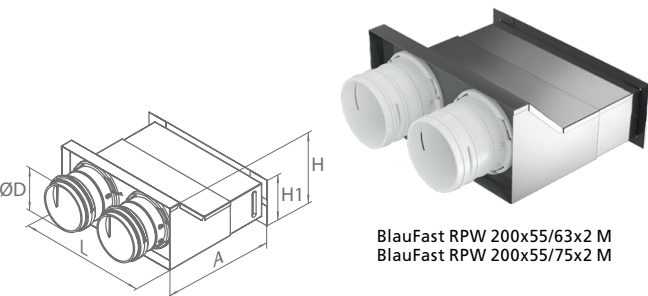
BlauFast RPF 300x100/63x3 M
BlauFast RPF 300x100/75x3 M

WALL-MOUNTED CONNECTOR BLAUFAST RPW ... M

For supply or exhaust ventilation systems of residential spaces.

Wall-mounted.

Connecting the 200x55 wall ventilation grille to **BLAUFAST** ducts.



BlauFast RPW 200x55/63x2 M
BlauFast RPW 200x55/75x2 M

- The connector is made of metal and fitted with polypropylene spigots.
- Fixation of the **BLAUFAST** air duct with the **BLAUFAST RS** lock ring (included in the delivery).
- The **BLAUFAST RL** sealing ring (available as a special accessory) is used to provide airtightness class C.

	Model	ØD [mm]	L [mm]	A [mm]	H [mm]
DN63	BlauFast RPF 300x100/63x2 M	72	401	115	300
DN75	BlauFast RPF 300x100/75x2 M	84	401	115	300
DN63	BlauFast RPF 300x100/63x3 M	72	401	115	300
DN75	BlauFast RPF 300x100/75x3 M	84	401	116	300

BlauFast RPF 300x100/63x2 M

Air capacity [m³/h]	Quantity of connected air ducts	Air supply, air resistance [Pa]	Air exhaust, air resistance [Pa]
25	1	12.6	11.5
50	2	11.9	10.5

BlauFast RPF 300x100/75x2 M

Air capacity [m³/h]	Quantity of connected air ducts	Air supply, air resistance [Pa]	Air exhaust, air resistance [Pa]
30	1	7.5	6.3
60	2	6.7	5.1

BlauFast RPF 300x100/63x3 M

Air capacity [m³/h]	Quantity of connected air ducts	Air supply, air resistance [Pa]	Air exhaust, air resistance [Pa]
25	1	12.5	11.4
50	2	12.0	10.6
75	3	11.5	9.5

BlauFast RPF 300x100/75x3 M

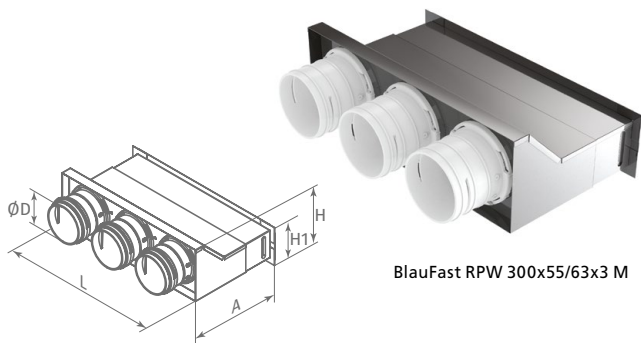
Air capacity [m³/h]	Quantity of connected air ducts	Air supply, air resistance [Pa]	Air exhaust, air resistance [Pa]
30	1	7.4	6.2
60	2	6.8	5.2
90	3	6.2	3.8

- The connector is made of metal and fitted with polypropylene spigots (included in the delivery).
- The **BLAUFAST RL** sealing ring (available as a special accessory) is used to provide airtightness class C.

	Model	ØD [mm]	L [mm]	A [mm]	H [mm]	H1 [mm]
DN63	BlauFast RPW 200x55/63x2 M	72	203.5	176.5	112	75
DN75	BlauFast RPW 200x55/75x2 M	84	203.5	176.5	112	75
DN63	BlauFast RPW 300x55/63x3 M	72	303.5	172.4	112	75

BlauFast RPW 200x55/63x2 M

Air capacity [m³/h]	Quantity of connected air ducts	Air supply, air resistance [Pa]	Air exhaust, air resistance [Pa]
25	1	12.7	11.6
50	2	11.9	10.5



BlauFast RPW 300x55/63x3 M

BlauFast RPW 200x55/75x2 M			
Air capacity [m³/h]	Quantity of connected air ducts	Air supply, air resistance [Pa]	Air exhaust, air resistance [Pa]
30	1	6.9	5.7
60	2	5.5	3.9

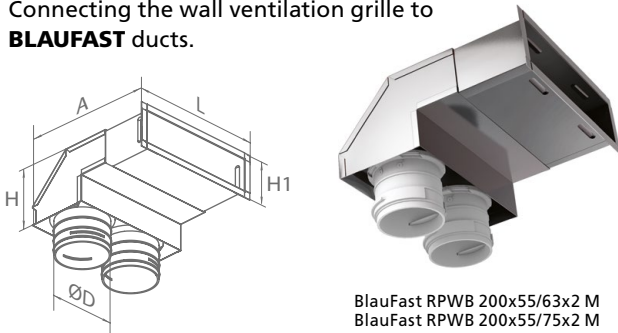
BlauFast RPW 300x55/63x3 M			
Air capacity [m³/h]	Quantity of connected air ducts	Air supply, air resistance [Pa]	Air exhaust, air resistance [Pa]
25	1	12.5	11.4
50	2	11.7	10.3
75	3	10.2	8.2

WALL-MOUNTED METAL CONNECTOR BLAUFAST RPWB ... M

For supply or exhaust ventilation systems of residential spaces.

Wall-mounted.

Connecting the wall ventilation grille to **BLAUFAST** ducts.



BlauFast RPWB 200x55/63x2 M
BlauFast RPWB 200x55/75x2 M

	Model	ØD [mm]	L [mm]	A [mm]	H [mm]	H1 [mm]
DN63	BlauFast RPWB 200x55/63x2 M	72	225	237	110	75
DN75	BlauFast RPWB 200x55/75x2 M	84	225	237	110	75

BlauFast RPWB 200x55/63x2 M			
Air capacity [m³/h]	Quantity of connected air ducts	Air supply, air resistance [Pa]	Air exhaust, air resistance [Pa]
25	1	13.0	11.9
50	2	12.0	10.6

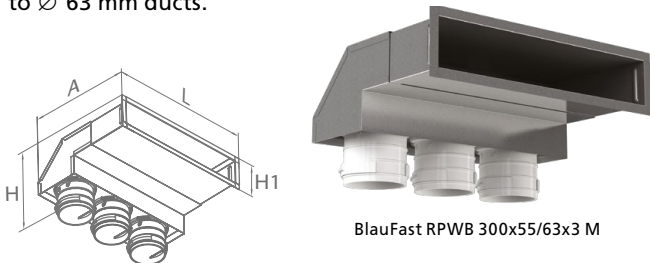
BlauFast RPWB 200x55/75x2 M			
Air capacity [m³/h]	Quantity of connected air ducts	Air supply, air resistance [Pa]	Air exhaust, air resistance [Pa]
30	1	7.2	6.0
60	2	6.3	4.7

WALL-MOUNTED METAL CONNECTOR BLAUFAST RPWB ... M

Supply or exhaust ventilation systems of residential spaces.

Wall-mounted.

Connecting the ventilation grille to \varnothing 63 mm ducts.



BlauFast RPWB 300x55/63x3 M

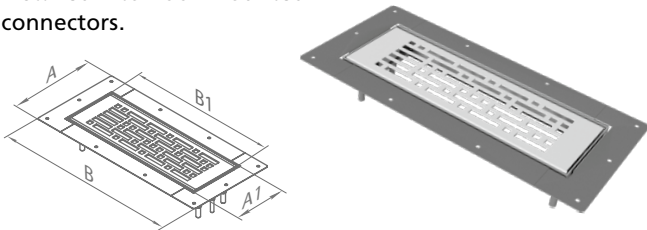
	Model	L [mm]	A [mm]	H [mm]	H1 [mm]
DN63	BlauFast RPWB 300x55/63x3 M	324.5	251.4	159.5	75

BlauFast RPWB 300x55/63x3 M			
Air capacity [m³/h]	Quantity of connected air ducts	Air supply, air resistance [Pa]	Air exhaust, air resistance [Pa]
25	1	12.6	11.5
50	2	11.8	10.4
75	3	10.4	8.4

GRILLES

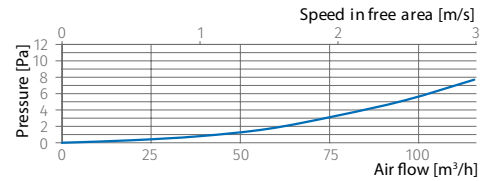
FLOOR-MOUNTED METAL GRILLE BLAUFast GF 300x100 03

Supply or exhaust ventilation systems of residential spaces.
Installed into floor-mounted connectors.



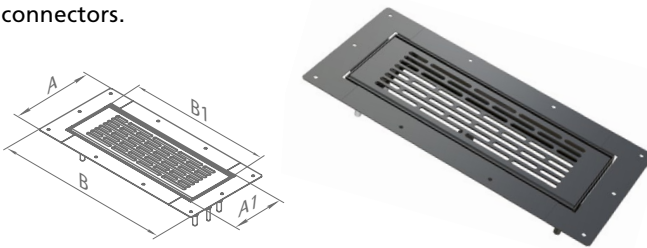
- Made of polymer coated metal.
- Fixation with springs.

Model	A [mm]	A1 [mm]	B [mm]	B1 [mm]	Air flow pass [m ²]
BlauFast GF 300x100 03	178.4	111.7	377.4	309	0.0107



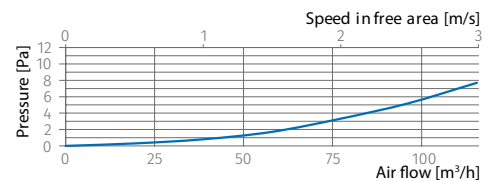
FLOOR-MOUNTED METAL GRILLE BLAUFast GF 300x100 04

Supply or exhaust ventilation systems of residential spaces.
Installed into floor-mounted connectors.



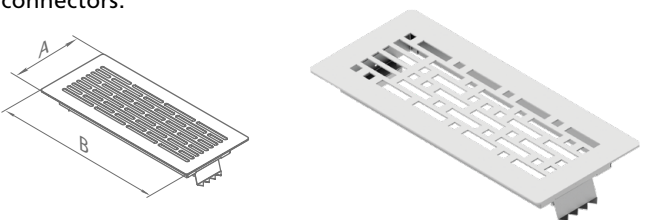
- Made of polished stainless steel.
- Fixation with springs.

Model	A [mm]	A1 [mm]	B [mm]	B1 [mm]	Air flow pass [m ²]
BlauFast GF 300x100 04	178.4	111.7	377.4	309	0.0107



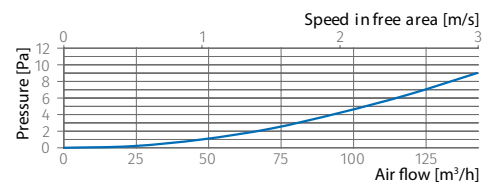
FLOOR-MOUNTED METAL OVERLAY GRILLE BLAUFast GF 300x100 07

Supply or exhaust ventilation systems of residential spaces.
Installed into floor-mounted connectors.



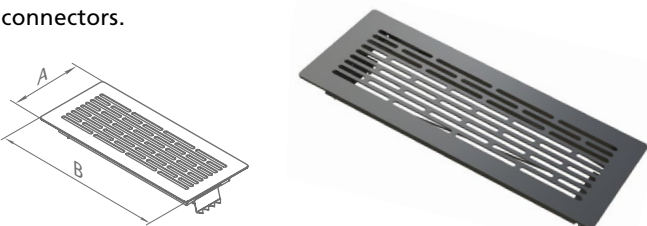
- Made of metal with a polymer coating.
- Fixation with springs.

Model	L [mm]	A [mm]	Air flow pass [m ²]
BlauFast GF 300x100 07	151	351	0.0132



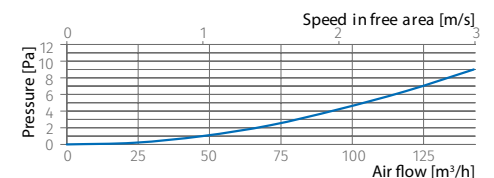
FLOOR-MOUNTED METAL OVERLAY GRILLE BLAUFast GF 300x100 08

Supply or exhaust ventilation systems of residential spaces.
Installed into floor-mounted connectors.



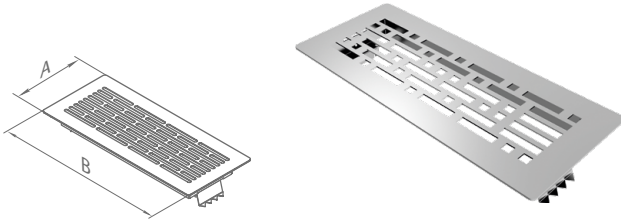
- Made of polished stainless steel.
- Fixation with springs.

Model	L [mm]	A [mm]	Air flow pass [m ²]
BlauFast GF 300x100 08	151	351	0.0132



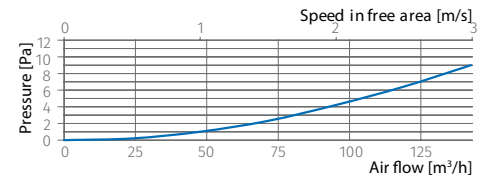
FLOOR-MOUNTED METAL GRILLE BLAUFAST GF 300X100 10

Supply or exhaust ventilation systems of residential spaces.
Installed into floor-mounted connectors.



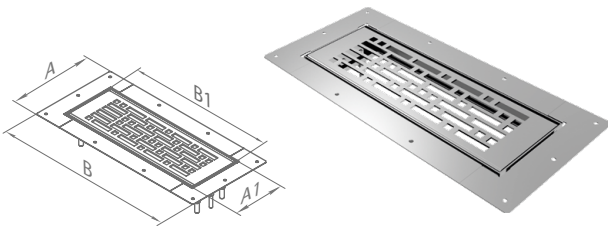
- Made of polished stainless steel.
- Fixation with springs.

Model	A [mm]	B [mm]	Air flow pass [m ²]
BlauFast GF 300x100 10	151	351	0.0132



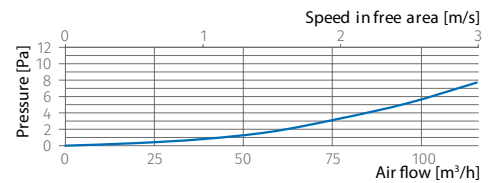
FLOOR-MOUNTED METAL GRILLE BLAUFAST GF 300X100 12

Supply or exhaust ventilation systems of residential spaces.
Installed into floor-mounted connectors.



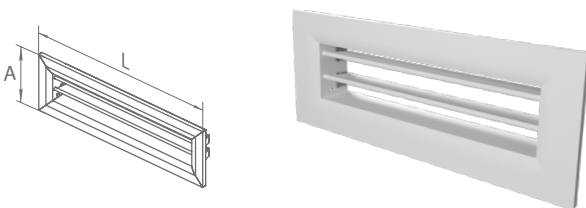
- Made of polished stainless steel.
- Fixation with springs.

Model	A [mm]	A1 [mm]	B [mm]	B1 [mm]	Air flow pass [m ²]
BlauFast GF 300x100 12	178.4	111.7	377.4	309	0.0107



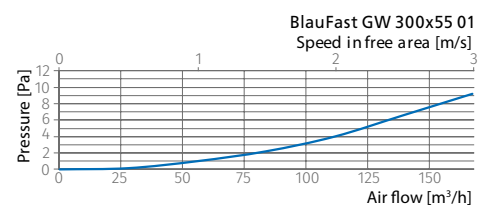
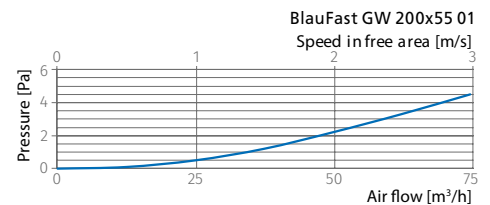
WALL GRILLE BLAUFAST GW ... 01

Supply or exhaust ventilation systems of residential spaces.
For installation in wall connector.



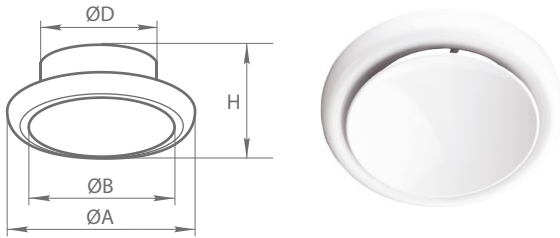
- Made of white polymer coated metal.
- Fixation with springs.

Model	L [mm]	A [mm]	Air flow pass [m ²]
BlauFast GW 200x55 01	230	97	0.0069
BlauFast GW 300x55 01	330	97	0.0155



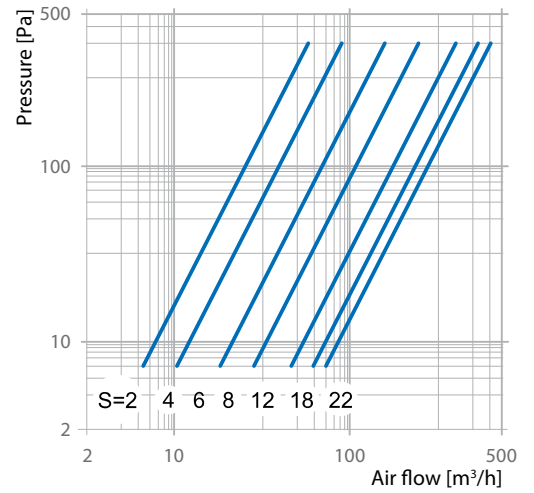
AIR DISC VALVE VMBR 125

Supply ventilation systems of residential spaces.
Installed into wall-mounted connectors.



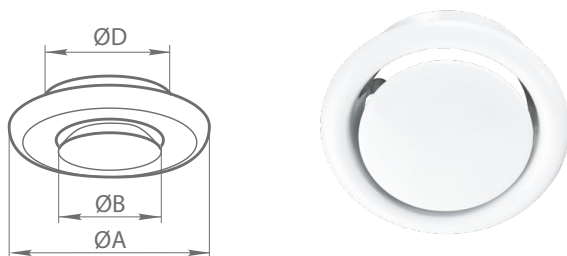
Model	ØA [mm]	ØB [mm]	ØD [mm]	ØH [mm]
VMBR 125	166	110	20	124

- Made of polymer-coated steel
- Smooth air flow regulation.



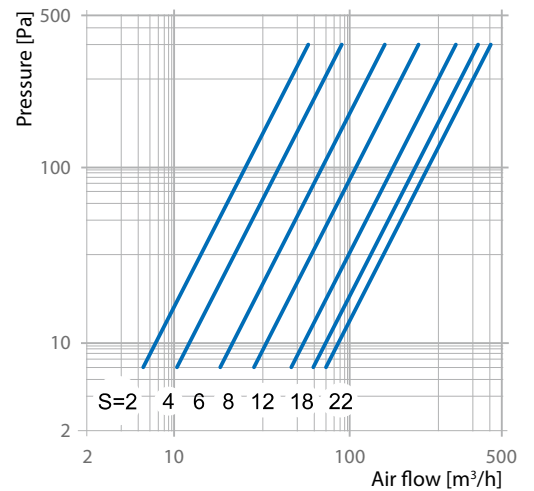
AIR DISC VALVE VMR 125

Extract ventilation systems of residential spaces.
Installed into wall-mounted connectors.



Model	ØA [mm]	ØB [mm]	ØD [mm]
VMR 125	154	100	124

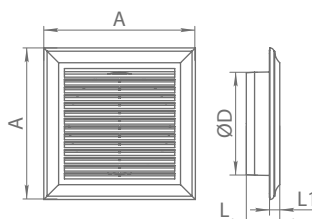
- Made of polymer-coated steel
- Infinitely adjustable airflow.



SQUARE GRILLES DECOR 180X180/125S

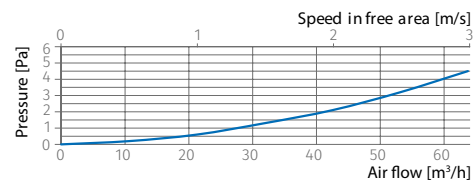
Supply or exhaust ventilation systems of residential spaces.

For installation in ceiling connector.



- Made of antistatic ABS plastic or polystyrene.
- Fixation with screws.
- Equipped with an insect screen.

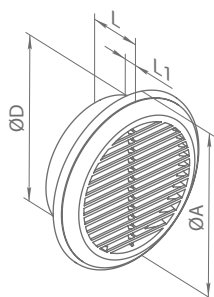
Model	A [mm]	L [mm]	L1 [mm]	ØD [mm]	Air flow pass [m ²]
Decor 180x180/125s	180	40.6	12.6	125	0.0059



ROUND GRILLE DECOR 125S

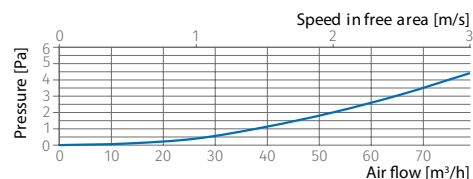
Supply or exhaust ventilation systems of residential spaces.

For installation in ceiling connector.



- Made of antistatic ABS plastic or polystyrene.
- Fixation with screws.
- Equipped with an insect screen.

Model	ØA [mm]	L [mm]	L1 [mm]	ØD [mm]	Air flow pass [m ²]
Decor 125s	165	42	14	125	0.0073



GRILLE TECHNICAL DATA

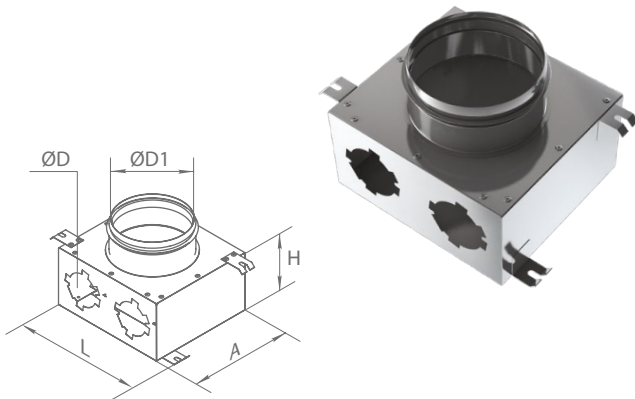
Grille model	Air flow pass [m ²]	Air speed in the air duct [m/s]					
		0.5	1	1.5	2	2.5	3
		Air flow [m ³ /h]					
BlauFast GF 300x100 03	0.0107	19	39	58	77	96	116
BlauFast GF 300x100 04	0.0107	19	39	58	77	96	116
BlauFast GF 300x100 07	0.0132	24	48	71	95	119	143
BlauFast GF 300x100 08	0.0132	24	48	71	95	119	143
BlauFast GF 300x100 10	0.0132	24	48	71	95	119	143
BlauFast GF 300x100 12	0.0107	19	39	58	77	96	116
BlauFast GW 200x55 01	0.0069	12	25	37	50	62	75
BlauFast GW 300x55 01	0.0155	28	56	84	112	140	168
Decor 180x180/125s	0.0059	11	21	32	42	53	64
Decor 125s	0.0073	13	26	39	53	66	79

AIR DISTRIBUTION BOXES

METAL AIR DISTRIBUTION BOX BLAUFAST SR 125/..X2 01

Supply or exhaust ventilation systems of residential spaces.

For distribution of air from the ventilation unit through the air ducts.



- Made of aluzinc coated steel.
- The main air duct flange is rubber sealed.
- Air duct connection through matching flanges **BLAUFAST RKF** (available as special accessories).
- Unused openings must be capped with **BLAUFAST RSP**.

	Model	ØD [mm]	ØD1 [mm]	L [mm]	A [mm]	H [mm]
DN63	BlauFast SR 125/63x2 01	54.5	124	196	178	100
DN75	BlauFast SR 125/75x2 01	67	124	196	178	100

BlauFast SR 125/63x2 01

Air capacity [m³/h]	Quantity of connected air ducts	Air supply, air resistance [Pa]	Air exhaust, air resistance [Pa]
25	1	8.6	7.5
50	2	7.0	5.6

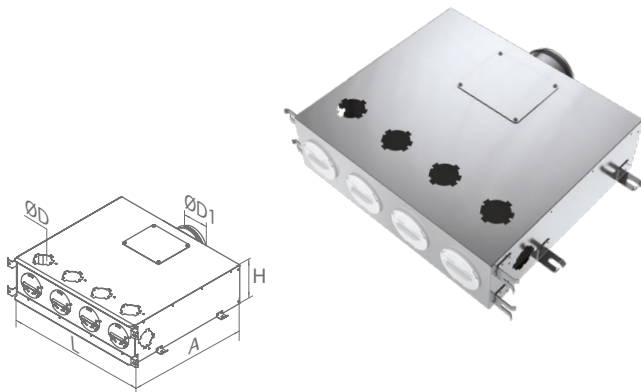
BlauFast SR 125/75x2 01

Air capacity [m³/h]	Quantity of connected air ducts	Air supply, air resistance [Pa]	Air exhaust, air resistance [Pa]
30	1	5.9	4.7
60	2	3.8	2.2

METAL AIR DISTRIBUTION BOX BLAUFAST SR 125/..X6 01

Supply or exhaust ventilation systems of residential spaces.

For distribution of air from the ventilation unit through the air ducts.



- Made of aluzinc coated steel.
- The main air duct flange is rubber sealed.
- Air duct connection through matching flanges **BLAUFAST RKF** (available as special accessories).
- Unused openings must be capped with **BLAUFAST RSP**.
- Internally sound-insulated.

	Model	ØD [mm]	ØD1 [mm]	L [mm]	A [mm]	H [mm]
DN63	BlauFast SR 125/63x6 01	54.5	124	554	470	162
DN75	BlauFast SR 125/75x6 01	67	124	554	470	162

BlauFast SR 125/63x6 01

Air capacity [m³/h]	Quantity of connected air ducts	Air supply, air resistance [Pa]	Air exhaust, air resistance [Pa]
25	1	11.5	10.5
50	2	10.1	9.1
75	3	9.0	7.9
100	4	7.3	6.1
125	5	4.6	3.4
150	6	2.1	0.7

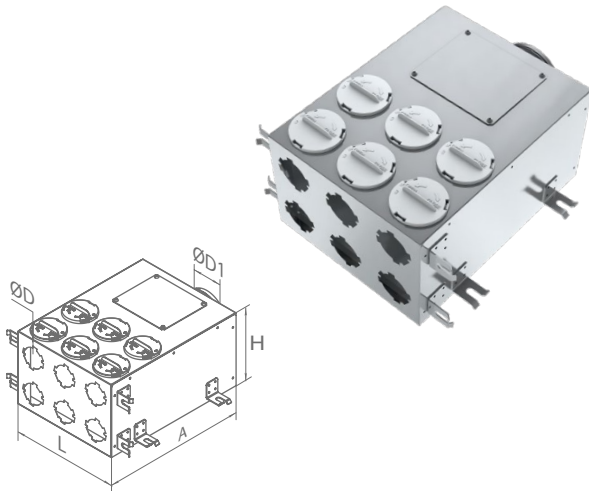
BlauFast SR 125/75x6 01

Air capacity [m³/h]	Quantity of connected air ducts	Air supply, air resistance [Pa]	Air exhaust, air resistance [Pa]
30	1	5.7	4.7
60	2	5.1	4.0
90	3	4.5	3.4
120	4	3.7	2.5
150	5	2.4	1.0
180	6	1.1	0.1

METAL AIR DISTRIBUTION BOX BLAUFAST SR 125/..X6 02

Supply or exhaust ventilation systems of residential spaces.

For distribution of air from the ventilation unit through the air ducts.



- Made of aluzinc coated steel.
- The main air duct flange is rubber sealed.
- Air duct connection through matching flanges **BLAUFAST RKF** (available as special accessories).
- Unused openings must be capped with **BLAUFAST RSP**.
- Internally sound-insulated.

	Model	ØD [mm]	ØD1 [mm]	L [mm]	A [mm]	H [mm]
DN63	BlauFast SR 125/63x6 02	54.5	124	300	400	202
DN75	BlauFast SR 125/75x6 02	67	124	300	400	202

BlauFast SR 125/63x6 02

Air capacity [m³/h]	Quantity of connected air ducts	Air supply, air resistance [Pa]	Air exhaust, air resistance [Pa]
25	1	11.6	10.6
50	2	10.1	9.1
75	3	9.1	8.0
100	4	7.5	6.3
125	5	4.4	3.2
150	6	2.1	0.7

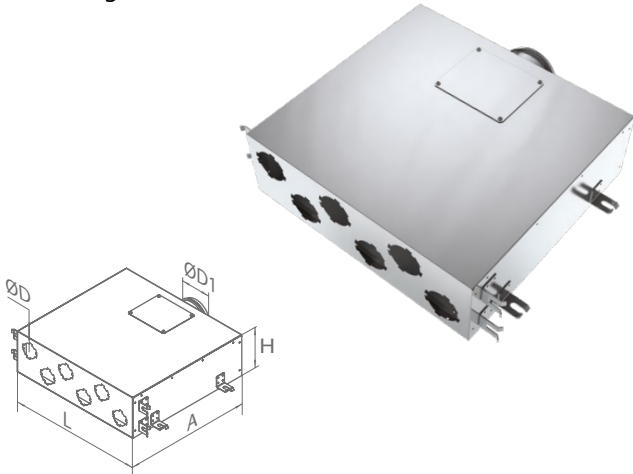
BlauFast SR 125/75x6 02

Air capacity [m³/h]	Quantity of connected air ducts	Air supply, air resistance [Pa]	Air exhaust, air resistance [Pa]
30	1	5.9	4.9
60	2	5.3	4.2
90	3	4.6	3.5
120	4	3.9	2.7
150	5	2.5	1.1
180	6	1.2	0.4

METAL AIR DISTRIBUTION BOX BLAUFAST SR 125/..X6 03

Supply or exhaust ventilation systems of residential spaces.

For distribution of air from the ventilation unit through the air ducts.



- Made of aluzinc coated steel.
- The main air duct flange is rubber sealed.
- Air duct connection through matching flanges **BLAUFAST RKF** (available as special accessories).
- Unused openings must be capped with **BLAUFAST RSP**.
- Internally sound-insulated.

	Model	ØD [mm]	ØD1 [mm]	L [mm]	A [mm]	H [mm]
DN63	BlauFast SR 125/63x6 03	54.5	124	530	500	162
DN75	BlauFast SR 125/75x6 03	65	124	530	500	162

BlauFast SR 125/63x6 03

Air capacity [m³/h]	Quantity of connected air ducts	Air supply, air resistance [Pa]	Air exhaust, air resistance [Pa]
25	1	11.4	10.4
50	2	9.8	8.8
75	3	8.9	7.8
100	4	7.5	6.3
125	5	4.5	3.3
150	6	2.1	0.7

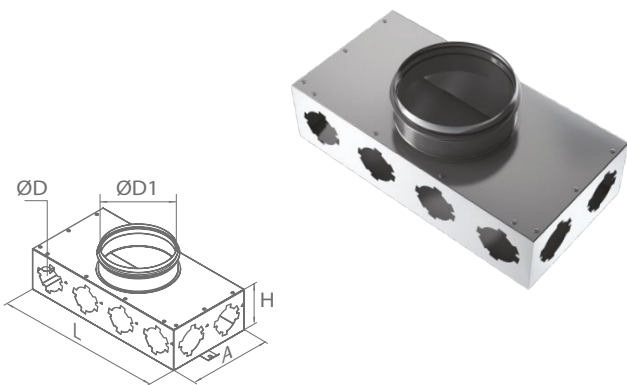
BlauFast SR 125/75x6 03

Air capacity [m³/h]	Quantity of connected air ducts	Air supply, air resistance [Pa]	Air exhaust, air resistance [Pa]
30	1	5.8	4.8
60	2	5.0	3.9
90	3	4.6	3.4
120	4	3.8	2.6
150	5	2.4	1.0
180	6	1.2	0.3

METAL AIR DISTRIBUTION BOX BLAUFAST SR 150/75X8 01

Supply or exhaust ventilation systems of residential spaces.

For distribution of air from the ventilation unit through the air ducts.



- Made of aluzinc coated steel.
- The main air duct flange is rubber sealed.
- Air duct connection through matching flanges **BLAUFAST RKF** (available as special accessories).
- Unused openings must be capped with **BLAUFAST RSP**.

	Model	ØD [mm]	ØD1 [mm]	L [mm]	A [mm]	H [mm]
DN75	BlauFast SR 150/75x8 01	67	149	400	200	100

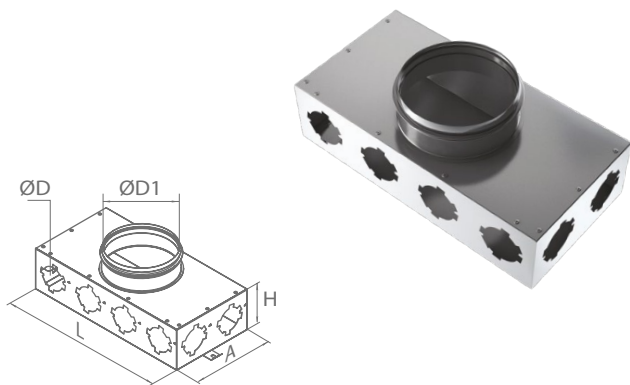
BlauFast SR 150/75x8 01

Air capacity [m³/h]	Quantity of connected air ducts	Air supply, air resistance [Pa]	Air exhaust, air resistance [Pa]
30	1	7.1	6.1
60	2	6.5	5.4
90	3	5.7	4.6
120	4	4.9	3.7
150	5	4.4	3.0
180	6	3.8	2.3
210	7	3.3	1.6
240	8	2.5	0.6

METAL AIR DISTRIBUTION BOX BLAUFAST SR 160/..X8 01

Supply or exhaust ventilation systems of residential spaces.

For distribution of air from the ventilation unit through the air ducts.



- Made of aluzinc coated steel.
- The main air duct flange is rubber sealed.
- Air duct connection through matching flanges **BLAUFAST RKF** (available as special accessories).
- Unused openings must be capped with **BLAUFAST RSP**.

	Model	ØD [mm]	ØD1 [mm]	L [mm]	A [mm]	H [mm]
DN63	BlauFast SR 160/63x8 01	54.5	159	400	200	100
DN75	BlauFast SR 160/75x8 01	65	159	400	200	100

BlauFast SR 160/63x8 01

Air capacity [m³/h]	Quantity of connected air ducts	Air supply, air resistance [Pa]	Air exhaust, air resistance [Pa]
25	1	13.5	12.5
50	2	13.1	12.1
75	3	12.3	11.2
100	4	11.2	10.0
125	5	10.0	8.8
150	6	8.4	7.0
175	7	6.8	5.3
200	8	5.0	3.4

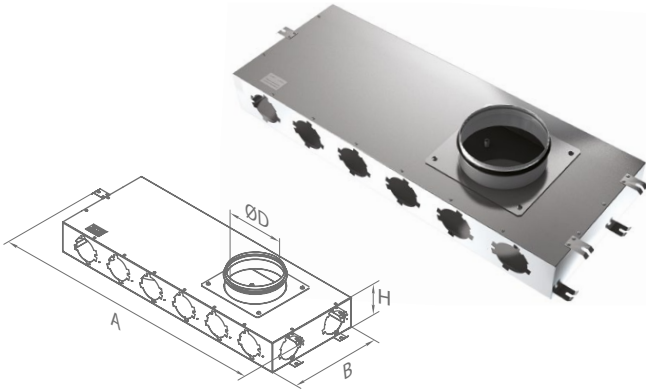
BlauFast SR 160/75x8 01

Air capacity [m³/h]	Quantity of connected air ducts	Air supply, air resistance [Pa]	Air exhaust, air resistance [Pa]
30	1	7.1	6.1
60	2	6.5	5.4
90	3	5.7	4.6
120	4	4.9	3.7
150	5	4.4	3.0
180	6	3.8	2.3
210	7	3.3	1.6
240	8	2.5	0.6

METAL AIR DISTRIBUTION BOX BLAUFast SR 160/75x8 02

Supply or exhaust ventilation systems of residential spaces.

To distribute air from the air handling unit.



- The main air duct flange is sealed with a rubber gasket.
- The flanges are not included.
- Made of steel with aluzinc coating.

	Model	A [mm]	B [mm]	ØD [mm]	H [mm]
DN75	BlauFast SR 160/75x8 02	827.9	290	165	90

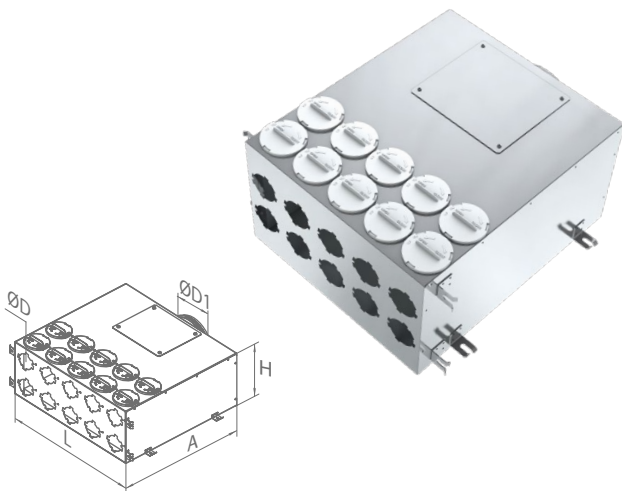
BlauFast SR 160/75x8 02

Air capacity [m³/h]	Quantity of connected air ducts	Air supply, air resistance [Pa]	Air exhaust, air resistance [Pa]
30	1	5.2	4.9
60	2	4.7	4.3
90	3	4.0	3.7
120	4	3.2	3.0
150	5	2.0	1.7
180	6	1.1	0.9
210	7	0.5	0.4
240	8	0.2	0.1

METAL AIR DISTRIBUTION BOX BLAUFast SR 150/75x10 01

Supply or exhaust ventilation systems of residential spaces.

For distribution of air from the ventilation unit through the air ducts.



- Made of aluzinc coated steel.
- The main air duct flange is rubber sealed.
- Air duct connection through matching flanges **BLAUFast RKF** (available as special accessories).
- Unused openings must be capped with **BLAUFast RSP**.
- Internally sound-insulated.

	Model	ØD [mm]	ØD1 [mm]	L [mm]	A [mm]	H [mm]
DN75	BlauFast SR 150/75x10 01	67	149	500	500	205

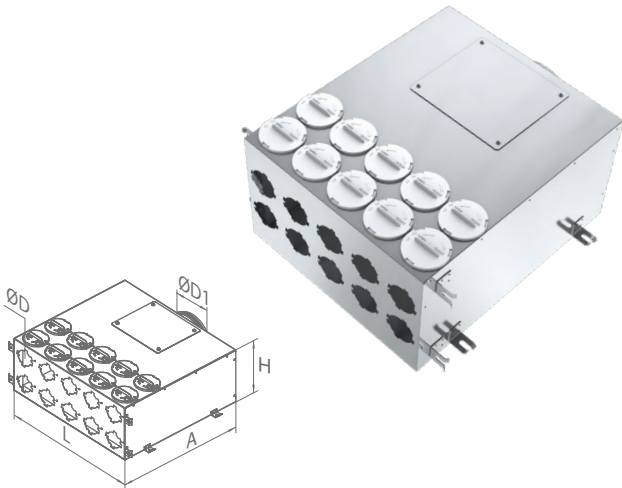
BlauFast SR 150/75x10 01

Air capacity [m³/h]	Quantity of connected air ducts	Air supply, air resistance [Pa]	Air exhaust, air resistance [Pa]
30	1	4.4	3.6
60	2	4.2	3.4
90	3	4.0	3.2
120	4	3.8	3.0
150	5	3.6	2.8
180	6	3.4	2.6
210	7	3.1	2.2
240	8	2.5	1.9
270	9	1.9	1.4
300	10	1.3	0.7

METAL AIR DISTRIBUTION BOX BLAUFAST SR 160/..X10 01

Supply or exhaust ventilation systems of residential spaces.

For distribution of air from the ventilation unit through the air ducts.



- Made of aluzinc coated steel.
- The main air duct flange is rubber sealed.
- Air duct connection through matching flanges **BLAUFAST RKF** (available as special accessories).
- Unused openings must be capped with **BLAUFAST RSP**.
- Internally sound-insulated.

	Model	ØD [mm]	ØD1 [mm]	L [mm]	A [mm]	H [mm]
DN63	BlauFast SR 160/63x10 01	54.5	159	500	500	202
DN75	BlauFast SR 160/75x10 01	67	159	500	500	202

BlauFast SR 160/63x10 01

Air capacity [m³/h]	Quantity of connected air ducts	Air supply, air resistance [Pa]	Air exhaust, air resistance [Pa]
25	1	8.6	8.2
50	2	8.4	7.9
75	3	8.1	7.7
100	4	7.7	7.3
125	5	7.4	7.0
150	6	7.0	6.4
175	7	6.2	5.7
200	8	4.8	4.0
225	9	3.6	3.0
250	10	2.5	2.0

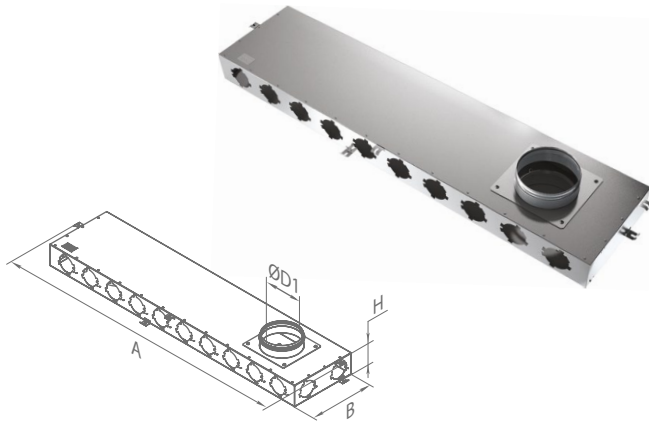
BlauFast SR 160/75x10 01

Air capacity [m³/h]	Quantity of connected air ducts	Air supply, air resistance [Pa]	Air exhaust, air resistance [Pa]
30	1	4.4	4.0
60	2	4.2	3.9
90	3	4.0	3.7
120	4	3.8	3.5
150	5	3.6	3.3
180	6	3.4	3.0
210	7	3.1	2.7
240	8	2.5	2.2
270	9	1.9	1.5
300	10	1.3	1.0

METAL AIR DISTRIBUTION BOX BLAUFast SR 160/75x12 01

Supply or exhaust ventilation systems of residential spaces.

Distribution of air from the ventilation unit through the ducts.



- The main air duct flange is sealed with a rubber gasket.
- The flanges are not included.
- Made of steel with aluzinc coating.

	Model	A [mm]	B [mm]	ØD [mm]	H [mm]
DN75	BlauFast SR 160/75x12 01	1307.9	290	160	107

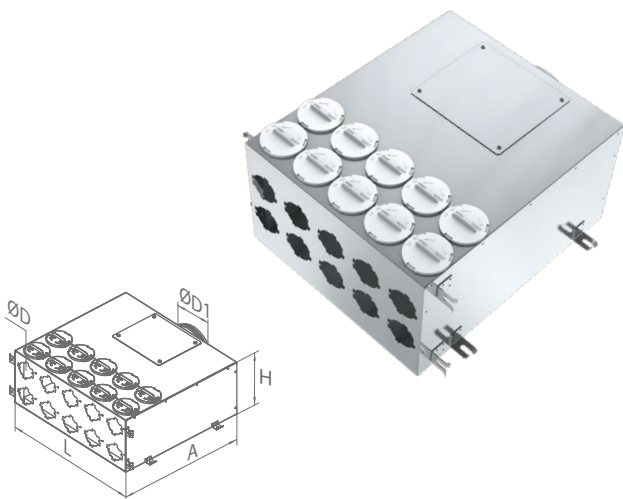
BlauFast SR 160/75x12 01

Air capacity [m³/h]	Quantity of connected air ducts	Air supply, air resistance [Pa]	Air exhaust, air resistance [Pa]
30	1	6.1	5.9
60	2	5.8	5.5
90	3	5.6	5.3
120	4	5.3	5.1
150	5	5.0	4.8
180	6	4.6	4.4
210	7	4.0	3.7
240	8	3.4	3.1
270	9	2.5	2.0
300	10	1.6	1.1
330	11	0.8	0.5
360	12	0.2	0.1

METAL AIR DISTRIBUTION BOX BLAUFast SR 200/..X10 01

Supply or exhaust ventilation systems of residential spaces.

Distribution of air from the ventilation unit through the ducts.



- The main air duct flange is sealed with a rubber gasket.
- Made of steel with aluzinc coating.
- Internal sound insulation layer.

	Model	ØD [mm]	ØD1 [mm]	L [mm]	A [mm]	H [mm]
DN63	BlauFast SR 200/63x10 01	55	199	500	600	302
DN75	BlauFast SR 200/75x10 01	67	199	500	600	302

BlauFast SR 200/63x10 01

Air capacity [m³/h]	Quantity of connected air ducts	Air supply, air resistance [Pa]	Air exhaust, air resistance [Pa]
25	1	12.0	9.8
50	2	11.2	9.2
75	3	10.2	8.3
100	4	9.3	7.6
125	5	7.8	6.4
150	6	6.1	5.0
175	7	4.6	3.8
200	8	3.5	2.9
225	9	2.5	2.0
250	10	1.5	1.2

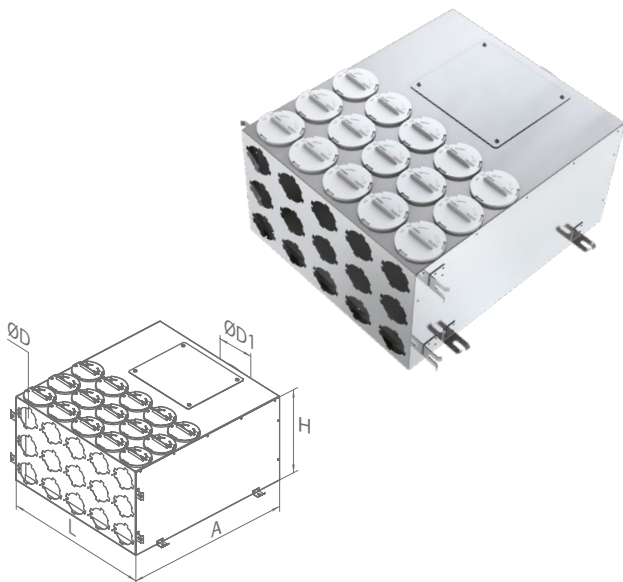
BlauFast SR 200/75x10 01

Air capacity [m³/h]	Quantity of connected air ducts	Air supply, air resistance [Pa]	Air exhaust, air resistance [Pa]
30	1	5.1	4.3
60	2	4.8	4.0
90	3	4.4	3.7
120	4	3.8	3.2
150	5	3.1	2.6
180	6	2.6	2.2
210	7	2.0	1.7
240	8	1.3	1.1
270	9	0.7	0.6
300	10	0.2	0.1

METAL AIR DISTRIBUTION BOX BLAUFAST SR 200/..X15 01

Supply or exhaust ventilation systems of residential spaces.

For distribution of air from the ventilation unit through the air ducts.



- Made of aluzinc coated steel.
- The main air duct flange is rubber sealed.
- Air duct connection through matching flanges **BLAUFAST RKF** (available as special accessories).
- Unused openings must be capped with **BLAUFAST RSP**.
- Internally sound-insulated.

	Model	ØD [mm]	ØD1 [mm]	L [mm]	A [mm]	H [mm]
DN63	BlauFast SR 200/63x15 01	54.5	199	500	600	302
DN75	BlauFast SR 200/75x15 01	67	199	500	600	302

BlauFast SR 200/63x15 01

Air capacity [m³/h]	Quantity of connected air ducts	Air supply, air resistance [Pa]	Air exhaust, air resistance [Pa]
25	1	14.0	11.9
50	2	13.6	11.5
75	3	13.1	11.1
100	4	12.5	10.6
125	5	11.8	10.0
150	6	10.8	9.2
175	7	9.7	8.2
200	8	8.6	7.3
225	9	7.3	6.2
250	10	6.1	5.2
275	11	5.1	4.3
300	12	4.0	3.4
325	13	3.1	2.5
350	14	2.2	1.7
375	15	1.3	0.9

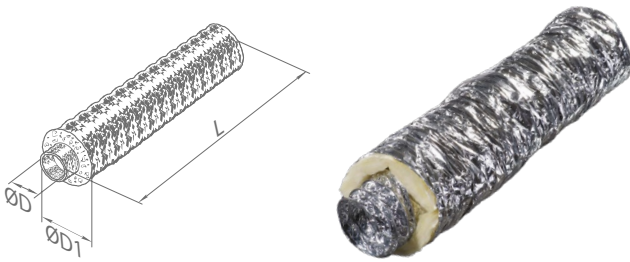
BlauFast SR 200/75x15 01

Air capacity [m³/h]	Quantity of connected air ducts	Air supply, air resistance [Pa]	Air exhaust, air resistance [Pa]
30	1	6.5	5.6
60	2	6.3	5.4
90	3	6.1	5.2
120	4	5.7	4.9
150	5	5.3	4.5
180	6	4.7	4.0
210	7	4.1	3.5
240	8	3.5	3.0
270	9	2.9	2.5
300	10	2.5	2.1
330	11	2.1	1.8
360	12	1.6	1.4
390	13	1.1	0.9
420	14	0.7	0.6
450	15	0.3	0.2

ACCESSORIES

FLEXIBLE INSULATED DUCT BLAUFLEX ISO N

Supply or exhaust ventilation systems of residential spaces.
Connecting air handling units to air distribution boxes.



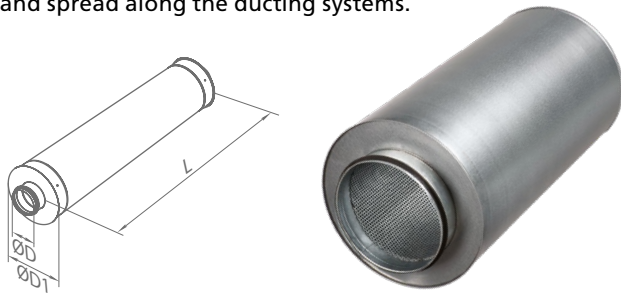
- The duct is made of aluminum foil and laminated with polyether film.
- The duct is fixed to the spigots using the clamps or the A-band mounting tape.

Model	ØD [mm]	ØD1 [mm]	L [mm]
BlauFlex Iso N/127/7.6	127	152	7.6
BlauFlex Iso N/152/7.6	152	177	7.6
BlauFlex Iso N/162/7.6	162	187	7.6
BlauFlex Iso N/203/7.6	203	228	7.6

Product item	BLAUFLEX ISO N
Size range [mm]	127; 162; 203;
Air duct base	Metallized polyester film (45 µm)
Air duct wire	Steel spring, 0.8-1.5 mm thick
Insulation	Mineral wool, 25 mm
Outer sleeve	Metallized polyester film (45 µm)
Temperature range [°C]	from -30 to +120
Standard length [m]	7.6
Available lengths (cutting) [m]	7.6
Air speed [m/s]	300
Maximum operating pressure [Pa]	3000

SILENCER SD

Applied for noise absorption produced during the ventilating equipment operation and spread along the ducting systems.

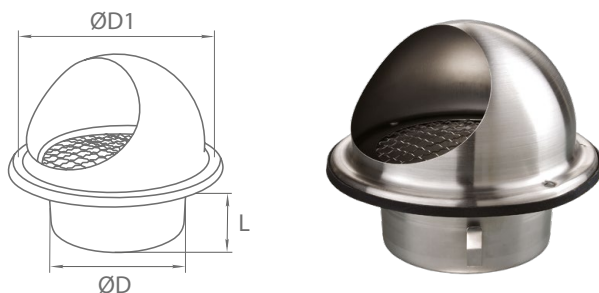


- The galvanized steel casing of the SD silencer is filled with flame-proof sound insulating material and equipped with protecting covering against fiber blowing-out.
- The silencers are equipped with connecting flanges with rubber sealing for airtight connection to the air ducts tape.

Model	ØD [mm]	ØD1 [mm]	L [mm]
SD 125/900	125	225	900
SD 150/900	149	250	900
SD 160/900	159	252	900
SD 200/900	198	318	900

METAL HOOD DECOR S ... HK

Decoration of supply and exhaust ventilation outlets.

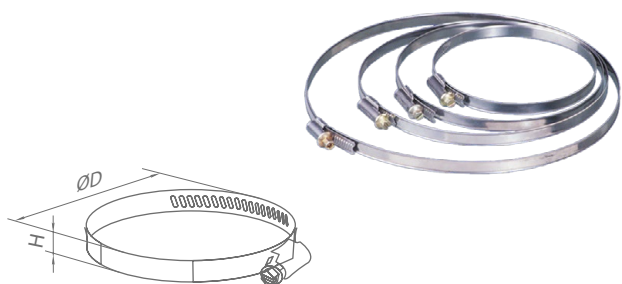


- Made of stainless steel.
- Equipped with a protective grid.
- Rubber seals for tight contact to the wall.
- Fixing with screws.

Model	Cross-sectional area [cm ²]	ØD [mm]	ØD1 [mm]	L [mm]
Decor S 122 HK	82	120	165	52
Decor S 152 HK	126	145	192	62
Decor S 162 HK	135	155	192	62
Decor S 202 HK	178	195	253	73

CLAMP K ... ZN

Connecting flexible insulated ducts to spigots of air handling units and to air distribution boxes.

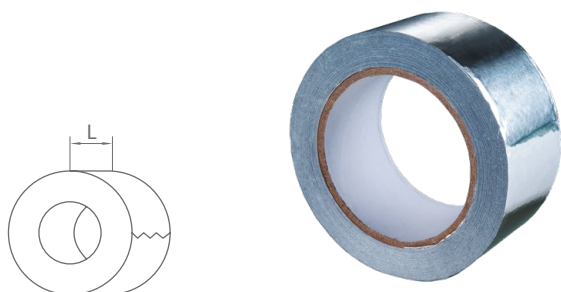


- Made of galvanized steel.

Model	ØD [mm]	H [mm]
K 125 Zn	110-130	9
K 150 Zn	140-160	9
K 160 Zn	150-170	9
K 200 Zn	190-210	9

ALUMINIUM MOUNTING TAPE A-BAND 050/10

Protection against external impacts and sealing of connections of flexible insulated ducts to other system elements.

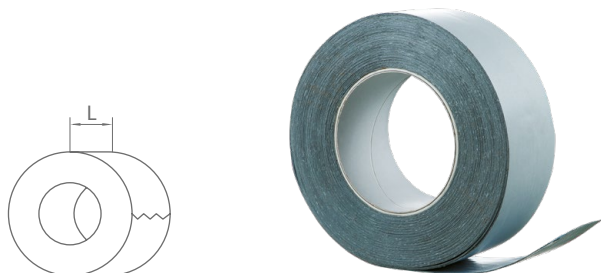


- Made of aluminium and PET foil covered with glue layer.
- The tape is supplied in rolls and the glue layer is protected with an extra protecting layer.

Model	A-band 050/10
Length [m]	10
Width L [mm]	50
Total tape thickness [µm]	32
Breaking force	57 N / 25 mm ²
Elongation at break [no less %]	3
Adhesiveness	8.25 N / 25 mm ²
Temperature of application [°C]	+10...+40
Max. temp. of operating surface [°C]	+100
UV-resistance	yes

BUTYL RUBBER SEALING TAPE D-BAND 050/15

Sealing of duct/flange connection before casting.



- Made of butyl rubber.
- The tape is supplied in rolls and the glue layer is protected with an extra protecting layer.
- Waterproof.

Model	D-band 050/15
Length [m]	15
Width [mm]	50
Temperature of application [°C]	+5...+30
Operating temperature [°C]	-20...+70

Blauberg Ventilatoren GmbH
Aidenbachstr. 52
D-81379 Munich

info@blaubergventilatoren.de
www.blaubergventilatoren.de

Technical changes reserved.
Illustrations and texts are non-binding.