



SPEED SWITCH

CDPE-2 E5 / CDPI-2 E5
CDPE-3 E5 / CDPI-3 E5
CDPE-5 E5 / CDPI-5 E5



OPERATION MANUAL

INTRODUCTION

The present operation manual contains technical description, technical data sheets, operation and mounting guidelines, safety precautions and warnings for safe and correct operation of the speed switch.

Read carefully the operation manual, especially the safety requirements before mounting and start-up of the device.

Keep the operation manual available as long as you use the device.

GENERAL

The speed switch CDPE(I) is designed for switching on/off and step speed switching of multi-speed ventilation units and domestic fans. Depending on the model the speed switch is designed for surface or flush mounting.

SAFETY RULES

The speed switch complies with the requirements according to the EU norms and directives, to the relevant EU-Low Voltage Equipment Directives, EU-Directives on Electromagnetic Compatibility.

Cut off power supply to the speed switch prior to any operations.

All mounting and maintenance operations must be carried out by duly qualified electricians with a valid electrical work permit for electric operations after careful study of the present user's manual.

Misuse of the speed switch or any unauthorized modification are not allowed.

Follow the manual guidelines to ensure trouble-free operation and long service life of the speed switch.

STORAGE AND TRANSPORTATION RULES

Transportation is allowed by any vehicle provided the speed switch is transported in the original package and is protected against weather and mechanical damages.

Store the delivered speed switch in the manufacturer's original packing box in a dry ventilated premise.

The storage environment must not be subjected to any aggressive and/or chemical evaporations, admixtures, foreign objects that may provoke corrosion and damage connection tightness.

Store the speed switch in an environment with minimized risk of mechanical damages, temperature and humidity fluctuations.

Store the delivered speed switch at the ambient temperature from +5°C up to +40°C.

MANUFACTURER'S WARRANTY

The speed switch complies with the requirements according to the EU norms and directives, to the relevant EU-Low Voltage Equipment Directives, EU-Directives on Electromagnetic Compatibility.

We hereby declare that the speed switch complies with the essential protection requirements of Electromagnetic Council Directive 2004/108/EC, 89/336/EEC and Low Voltage Directive 2006/95/EC, 73/23/EEC and CE-marking Directive 93/68/EEC on the approximation of the laws of the Member States relating to electromagnetic compatibility.

The manufacturer hereby warrants normal operation of the speed switch over the period of 1 year from the retail sale date provided observance of the installation and operation regulations.

In case of failure due to manufacturing fault during the warranty period the consumer has the right for the speed switch repair or exchange.

The replacement is offered by the Seller.

If case of no confirmation of the sale date, the warranty period shall be calculated from the manufacturing date.

The manufacturer shall not be liable for any damage resulting from any speed switch misuse of or gross mechanical interference with the speed switch.

The manufacturer is not responsible for the damages resulted due to the use of third party equipment or to third party equipment.



WARNING

The speed switch is not allowed for use by children and persons with reduced physical, mental or sensory capacities, without proper practical experience or expertise, unless they are controlled or instructed on the product operation by the person(s) responsible for their safety. Supervise the children and do not let them play with the product.



WARNING

Do not dispose in domestic waste. The product contains in part material that can be recycled and in part substances that should not end up as domestic waste. Dispose the product once it has reached the end of its working life according to the regulations valid in your country.

DELIVERY SET

- ✓ Speed switch - 1 item;
- ✓ Screws and dowels:
 - 2 sets for wall surface mounting;
 - 4 sets for wall flush mounting;
- ✓ Operation manual - 1 item;
- ✓ Packing box - 1 item.

DESIGN

The speed switch casing is made of plastic and is equipped with ON/OFF button, an operation indicator light and a speed switch knob, fig. 1:

- 1 - speed switch knob;
- 2 - operation indicator light;
- 3 - on/off switch;
- 4 - output terminal;
- 5 - input terminal.

TECHNICAL DATA

Table 1. Technical data

Parameters	CDPE-2 E5	CDPE-3 E5	CDPE-5 E5
	CDPI-2 E5	CDPI-3 E5	CDPI-5 E5
Supply voltage, 50 Hz [V]	230		
Rated current [A]	5		
Speed number	2	3	5
Operating humidity range [°C]	from + 1 up to + 45		
Ingress Protection Rating	IP40		
Overall dimensions [mm]	162x80x70		

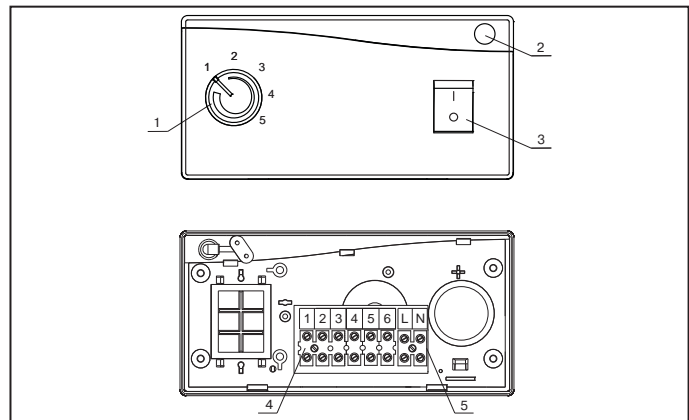


Fig. 1. Speed switch design

MOUNTING



WARNING

Make sure that the speed switch is not damaged. Do not use a damaged switch! Do not install the switch on an uneven surface! While tightening the screws avoid overtightening not to damage the device.

The speed switch mounting procedure depends on its modification, either surface mounting (CDPE models), fig. 2 or flush mounting (CDPI models), fig. 3.

Surface mounting (CDPE model):

1. Remove the speed switch decorative cover, fig. 2.1.
2. Remove 4 fixing screws from the front cover, fig. 2.2.
3. Route the cable in the wall to the switch installation place.
4. Lean the casing against the wall and mark the openings for the dowels, fig. 2.3.
5. Drill the holes in the wall and install 5x25 dowels, fig. 2.4.
6. Route the wires through the electric lead-in in the speed switch casing.
7. Fix the casing to the wall using two 3x25 screws, fig. 2.5.
8. Strip the wires for 7-8 mm.
9. Connect the wires to the terminal blocks in compliance with the wiring diagram (fig. 4).
10. Fix the speed switch front panel using four screws and install the decorative speed switch cover, fig. 2.6.

Flush mounting (CDPI model):

1. Remove the speed switch decorative cover, fig. 3.1.
2. Remove 4 fixing screws from the front cover, fig. 3.2.
3. Prepare a recess in the wall for installation of the speed switch casing, fig. 3.3.
4. Route the cable to the switch installation place.
5. Install the casing into the recess and mark the holes for the dowels, fig. 3.4.
6. Drill holes in the wall and insert 5x25 dowels, fig. 3.5.
7. Route the wires through the electric lead-ins in the casing.
8. Fix the casing in the wall with two 3x25 screws, fig. 3.6.
9. Strip the wires for 7-8 mm.
10. Connect the wires to the terminal blocks in compliance with the wiring diagram (fig. 4).
11. Fix the speed switch front panel using four screws, fig. 3.7.

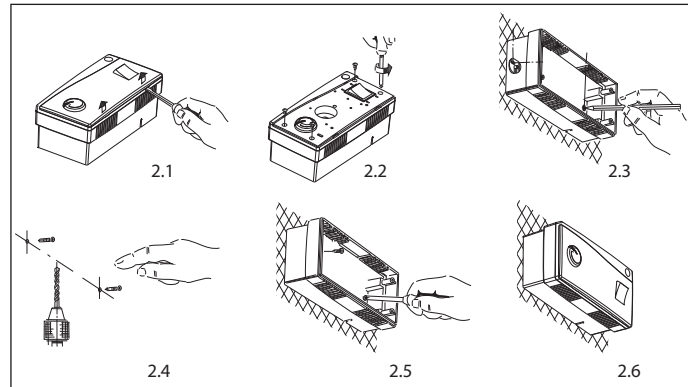


Fig. 2. CDPE speed switch mounting

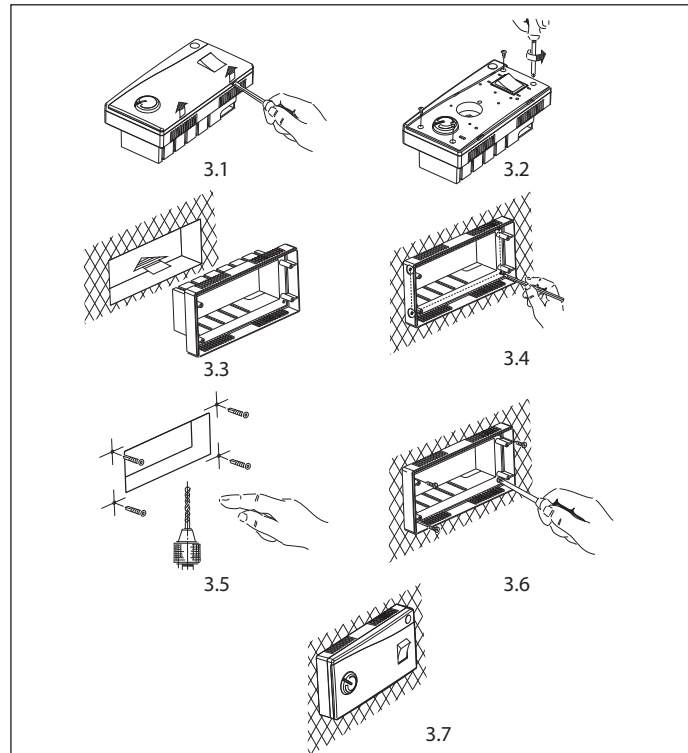


Fig. 3. CDPI speed switch mounting

CONNECTION TO POWER MAINS



WARNING

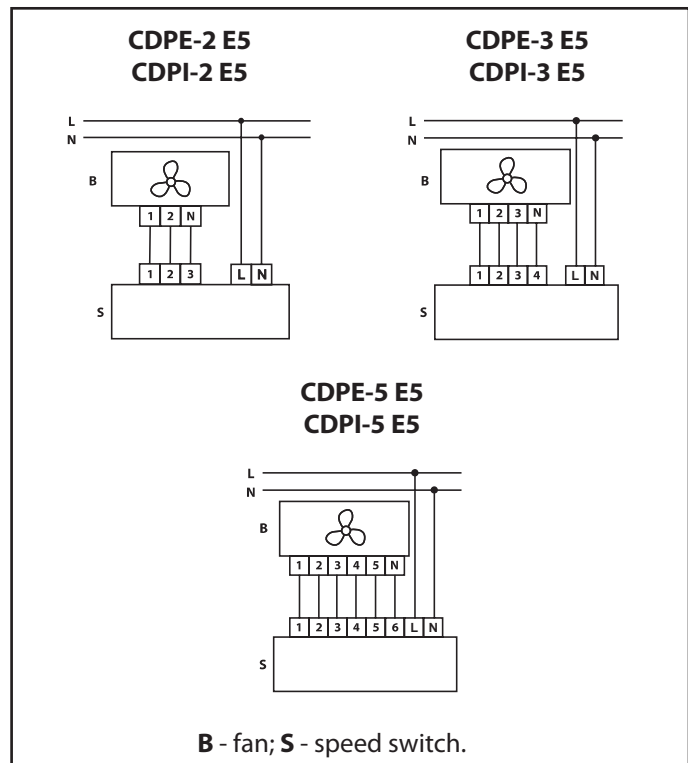
Cut off power supply to the speed switch prior to any operations with the speed switch. All mounting and servicing operations are allowed for duly qualified electricians with valid electrical work permit for electric operations after careful study of the present user's manual.

For connection of the speed switch to the ventilation units or the fans, follow the wiring diagram, fig. 4.

CONTROL

To turn on the ventilation unit or the fan connected to the speed switch turn the control knob to «I» position (the operation indicator light glows orange). To turn off the ventilation unit or the fan connected to the speed switch turn the control knob to «0» position (the operation indicator does not glow).

For speed selection, set the control knob to a required position with speed marking.



B - fan; S - speed switch.

Fig. 4. Speed switch wiring diagram

ACCEPTANCE CERTIFICATE

The speed switch

CDPI-2 E5	
CDPE-2 E5	

CDPI-3 E5	
CDPE-3 E5	

CDPI-5 E5	
CDPE-5 E5	

is recognizes as serviceable.

The speed switch complies with the requirements according to the EU norms and directives, to the relevant EU-Low Voltage Equipment Directives, EU-Directives on Electromagnetic Compatibility.

We hereby declare that the following product complies with the essential protection requirements of Electromagnetic Council Directive 2004/108/EC, 89/336/EEC and Low Voltage Directive 2006/95/EC, 73/23/EEC and CE-marking Directive 93/68/EEC on the approximation of the laws of the Member States relating to electromagnetic compatibility.

This certificate is issued following test carried out on samples of the product referred to above.

Approval mark

Manufacturing date _____

WARRANTY CARD

CDPI-2 E5	
CDPE-2 E5	

CDPI-3 E5	
CDPE-3 E5	

CDPI-3 E5	
CDPE-3 E5	

SELLER

SALES DATE

REPRESENTATIVE IN EU

BLAUBERG Ventilatoren GmbH
Aidenbachstr. 52a
D-81379 Munich, Germany

