

# DAH 251-13

## Kitchen exhaust hood

### Features

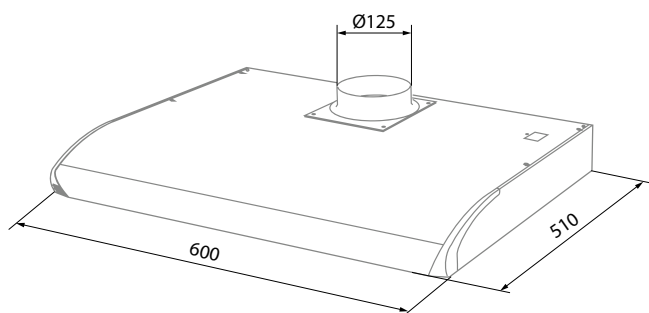
- The kitchen exhaust hood is designed to clean air from combustion products, fumes, fumes and cooking smells.
- As the kitchen hood turns on, the air damper opens and the high speed activation signal is sent to the air handling unit.
- The kitchen exhaust hood is equipped with a light and a polyester filter.
- The kitchen exhaust hood is supplied with a cable and a mains plug.



### Mounting

- The installation steps are described in the operation manual.
- The mounting accessories and screws are included with the unit.

### Overall dimensions [mm]



### Technical data

| Parameters             | DAH 251-13 |
|------------------------|------------|
| Voltage [V/50 (60) Hz] | 230        |
| Power consumption [W]  | 11         |

### Mounting example

DAH 251-13 kitchen hood is suitable for direct connection to KOMFORT Roto E S(E) 200 S17/S18 unit.

