



NEW

Decor S HK

Use

- Supply and exhaust ventilation hoods

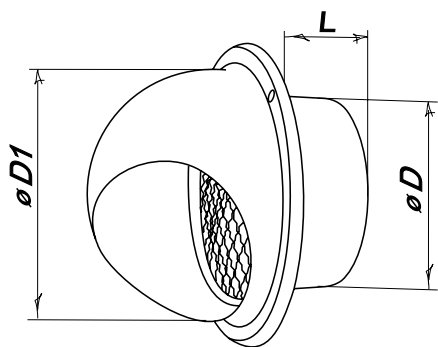
Application

- Residential premises
- Flats, cottages
- Offices
- Utility spaces
- Trade premises
- Restaurants
- Health care facilities
- Child care facilities

Features

- Outer wall mounting
- Decoration of ventilation shaft vents and connection to round air ducts
- Protection grille against birds and rodents
- Made of stainless steel
- Equipped with a rubber sealing ring

Overall and mounting dimensions



Model	Dimensions [mm]			Air pass [m ²]
	D	D1	L	
Decor S 102 HK	97	133	52	0.0048
Decor S 122 HK	120	165	52	0.0082
Decor S 152 HK	145	192	62	0.0126
Decor S 202 HK	195	253	62	0.0178