

Iso-Mix-E

Mixed-type duct fans in noise-insulated casing

Use

- The Iso-Mix-E fans combine the amazing versatility and outstanding performance of both axial and centrifugal fans.
- These units are intended for combined supply and exhaust ventilation systems which are used to transport large amounts of air at high pressure while keeping noise under control.
- The fans are compatible with air ducts from 355 to 450 mm in diameter. The units can be used for ventilation of residential, public and industrial spaces.



Air flow:
up to 6510 m³/h
1808 l/s



Power:
from 578 W



Noise level:
from 49 dBA



Design

- The casing is made of steel with a polymer coating. Conical impellers with specially profiled blades help boost angular velocity of the air flow resulting in higher pressure and air capacity compared to the conventional designs. The fan casing is equipped with an external water-tight terminal box for electrical connections.

Motor

- The fan motor shaft is mated to an impeller with diagonal blades. The units are equipped with single-speed 4-pole single-phase or three-phase motors. The motors have thermal contacts built into the coils for overheating protection.

Speed control

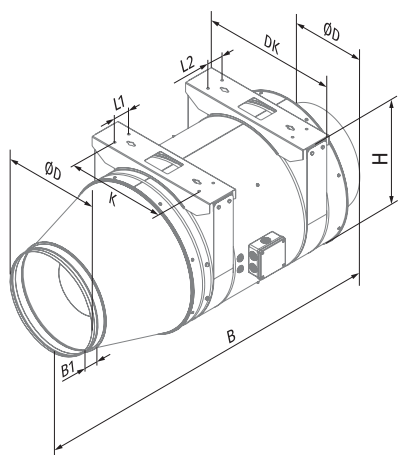
- Infinitely variable or stepped speed regulation is provided by means of a thyristor or autotransformer controller. Several fans may share the same controller provided that the combined power output and operating current are within the controller ratings.

Mounting

- The fans can be installed at the inlet or outlet of the ductwork or in the middle. The ducts can be fitted at any angle relative to the fan axis. A single system may have several fans installed in parallel to boost the output capacity or in series to boost the working pressure.

Overall dimensions [mm]

Type	B	B1	ØD	DK	H	K	L	L1	L2	Weight [kg]
Iso-Mix-E 355-4E	1320	80	353	510	540	460	540	60	60	33
Iso-Mix-E 355-4D	1320	80	353	510	540	460	540	60	60	33
Iso-Mix-E 400-4E	1320	80	397	510	540	460	540	60	60	35
Iso-Mix-E 400-4D	1320	80	397	510	540	460	540	60	60	35
Iso-Mix-E 450-4E	1425	80	447	610	640	460	640	60	60	51
Iso-Mix-E 450-4D	1425	80	447	610	640	460	640	60	60	51



Designation key			
Series	Spigot diameter [mm]	Motor Number of poles	Phase
ISO-MIX-E	355; 400; 450	– 4	E: single-phase D: three-phase

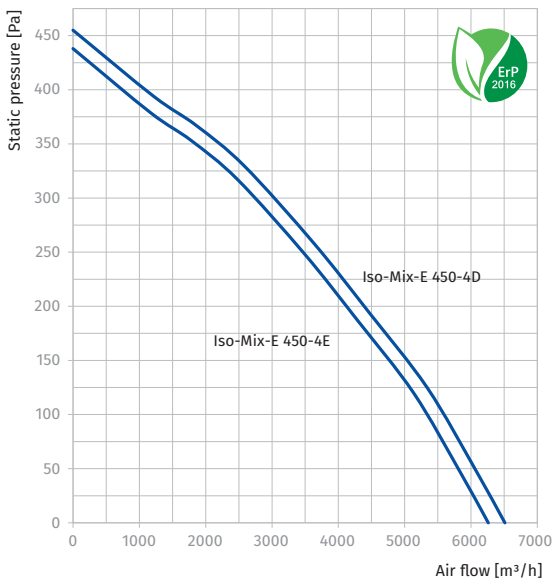
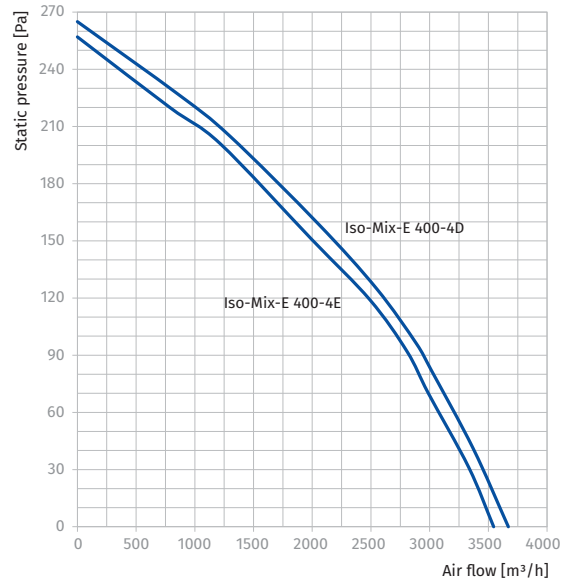
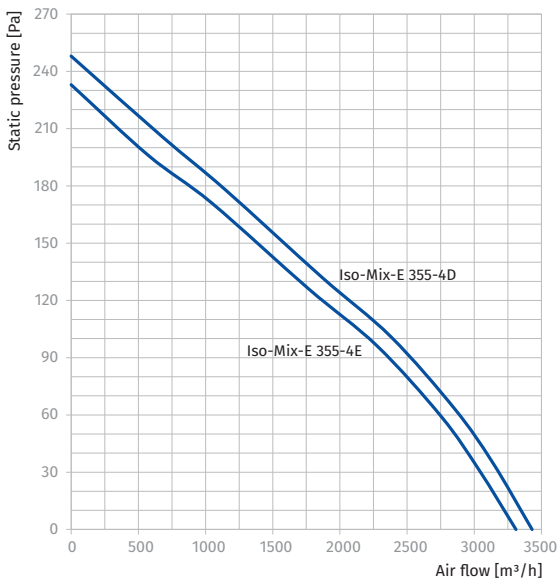
Accessories



SOUND-INSULATED FANS

Technical data

Parameters	Iso-Mix-E 355-4E	Iso-Mix-E 355-4D	Iso-Mix-E 400-4E	Iso-Mix-E 400-4D	Iso-Mix-E 450-4E	Iso-Mix-E 450-4D
Voltage [V / 50 Hz]	1 ~ 230	3 ~ 400	1 ~ 230	3 ~ 400	1 ~ 230	3 ~ 400
Power [W]	578	585	580	590	1200	1230
Current [A]	3.42	1.77	3.43	1.78	7.72	3.43
Maximum air flow [m³/h (l/s)]	3310 (920)	3430 (953)	3545 (985)	3670 (1020)	6260 (1739)	6510 (1808)
RPM [min ⁻¹]	1480	1490	1480	1490	1475	1490
Sound pressure level at 3 m [dBA]	49	49	50	50	59	59
Transported air temperature [°C]	-25...+60	-25...+60	-25...+60	-25...+60	-25...+60	-25...+60
Ingress protection rating	IPX4	IPX4	IPX4	IPX4	IPX4	IPX4
Motor IP rating	IP44	IP44	IP44	IP44	IP44	IP44
ErP	-	-	-	-	2016	2016



SOUND-INSULATED FANS