



Chimney centrifugal fans Kamin / Kamin-ER

Air capacity – up to 540 m³/h

Use

- For arranging warm air distribution system from chimney room to other rooms.
- For heating of occasionally or seasonally occupied buildings.
- Operating temperature from 0 to 150 °C.
- Compatible with Ø 125 up to 160 mm round air ducts.

Design

- Atmospheric resistant galvanized steel casing and impeller.
- Thermal and heat-insulation with non-flammable mineral wool.
- The casing is perforated for internal air circulation for cooling the motor down.
- The casing has fixing for connection of extra options (filter, mixing chamber, bypass system).
- Power is supplied to the fan through an external terminal box with sealed electric lead-in.
- Switches on and off at set temperatures. Regulation by built-in temperature regulator.



Motor

- Single-phase asynchronous motor. Centrifugal impeller with forward curved blades.
- The Kamin-ER fan is equipped with an external rotor motor.
- The motor is placed off the air flow and is equipped with extra axial impeller for motor cooling and blowing off.
- Motor insulation class F.
- Equipped with ball bearings for longer service life.
- Dynamically balanced turbine.
- Overheating protection by built-in thermal switches with automatic restart.

Speed control

- Smooth speed control with an external thyristor controller or step speed control with an external auto transformer (both available upon separate order).

Mounting

- Suitable for installation in any mounting position with respect to air flow direction in the system.
- Warm air distribution from the fan to other premises through the mounted air ducts.

Options

- AF** – metal filter-box for air purification. Filter class G3.

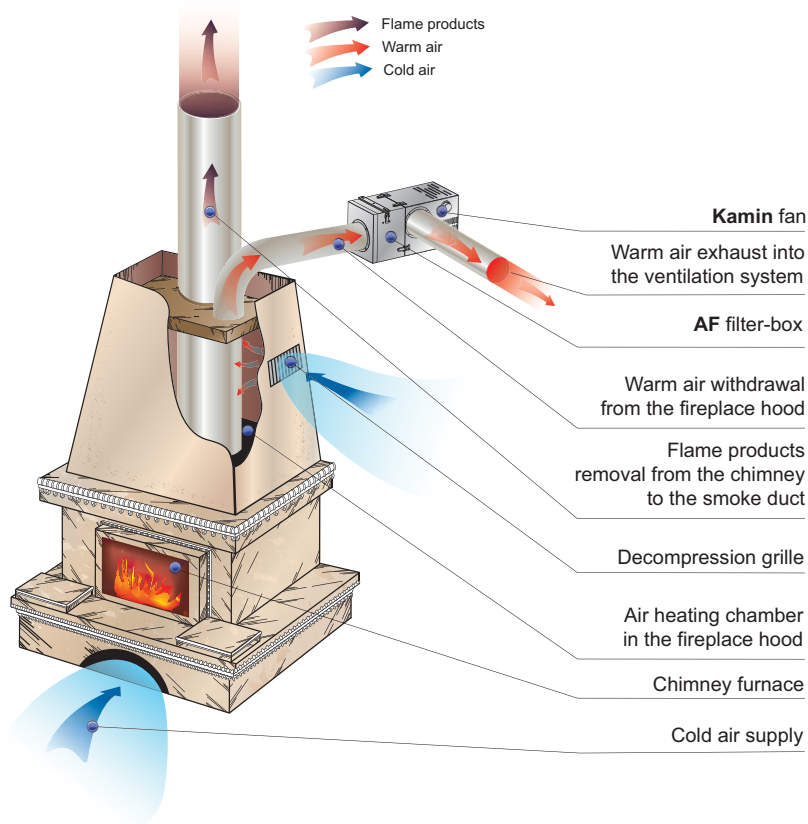


- KF** – metal mixing chamber for cold air supply. The chamber includes a temperature regulating damper and filter for air purification. The chamber provides cold air supply when the air temperature exceeds 90°C and hot air removal when the fan is off.

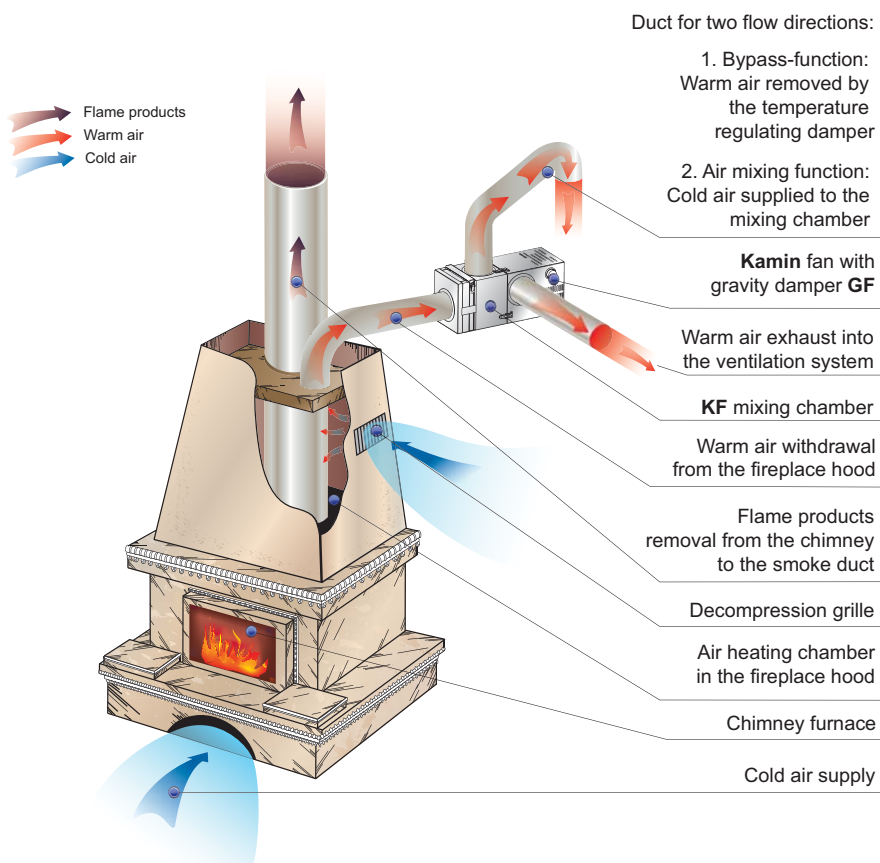


- GF** – gravity damper prevents air back draft into the system and together with mixing chamber KF provides by-pass motor overheating protection. When the fan is off, e.g. during power cut-off the gravity damper is closed and warm air is distributed through the mixing chamber and connected air ducts to other rooms.

■ Operating logic of the fan Kamin with AF filter-box



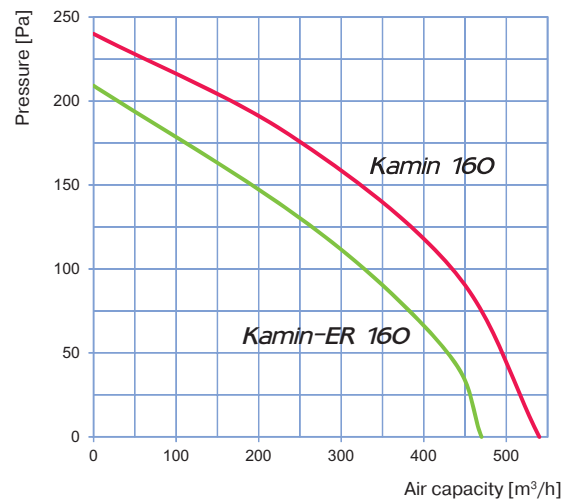
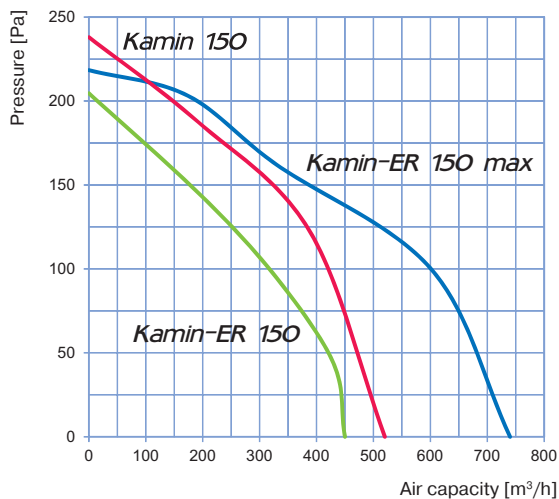
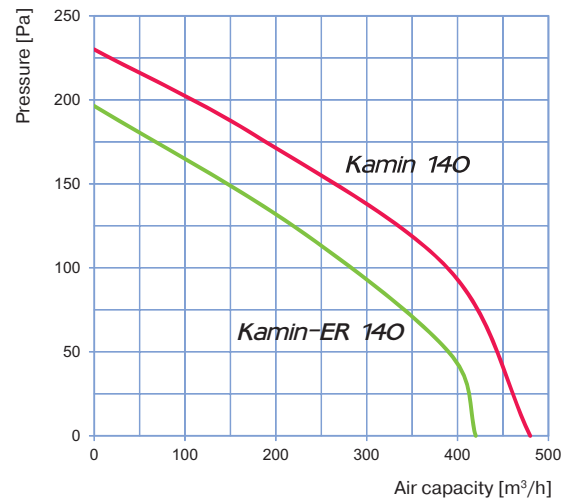
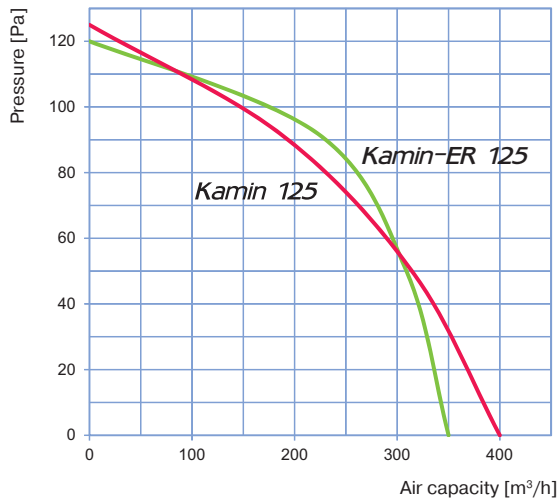
■ Operating logic of the fan Kamin with BY-PASS system



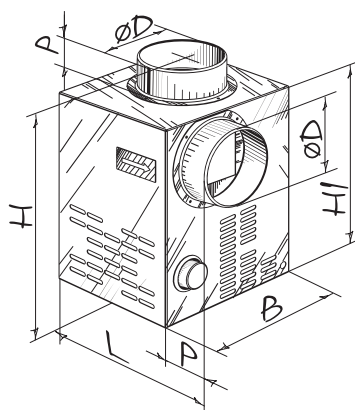
Specifications

| Parameters | Kamin 125 | Kamin 140 | Kamin 150 | Kamin 160 |
|--|-----------|-----------|-----------|-----------|
| Voltage [V / 50 Hz] | 1 ~ 230 | 1 ~ 230 | 1 ~ 230 | 1 ~ 230 |
| Power [W] | 108 | 110 | 115 | 116 |
| Current [A] | 0.81 | 0.82 | 0.84 | 0.86 |
| Maximum air capacity [m ³ /h] | 400 | 480 | 520 | 540 |
| RPM [min ⁻¹] | 1300 | 1290 | 1280 | 1270 |
| Sound pressure level at 3 m distance [dBA] | 42 | 42 | 42 | 42 |
| Max. operating temperature [°C] | 150 | 150 | 150 | 150 |
| Ingress protection rating | IPX2 | IPX2 | IPX2 | IPX2 |

| Parameters | Kamin-ER 125 | Kamin-ER 140 | Kamin-ER 150 | Kamin-ER 150 max | Kamin-ER 160 |
|--|--------------|--------------|--------------|------------------|--------------|
| Voltage [V / 50 Hz] | 1 ~ 230 | 1 ~ 230 | 1 ~ 230 | 1 ~ 230 | 1 ~ 230 |
| Power [W] | 32 | 41 | 43 | 127 | 44 |
| Current [A] | 0.14 | 0.18 | 0.19 | 0.55 | 0.19 |
| Maximum air capacity [m ³ /h] | 350 | 420 | 450 | 740 | 470 |
| RPM [min ⁻¹] | 1335 | 1250 | 1165 | 1310 | 1110 |
| Sound pressure level at 3 m distance [dBA] | 37 | 38 | 39 | 45 | 39 |
| Max. operating temperature [°C] | 150 | 150 | 150 | 150 | 150 |
| Ingress protection rating | IPX2 | IPX2 | IPX2 | IPX2 | IPX2 |

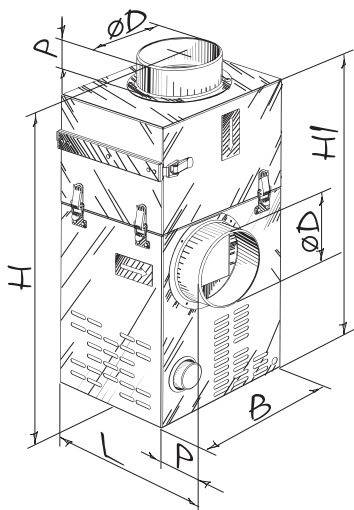


■ Overall dimensions of the Kamin / Kamin-ER series fans



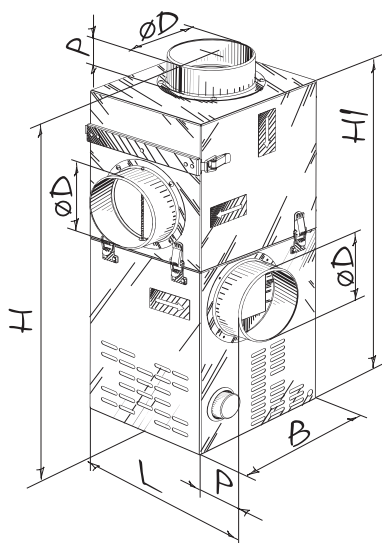
| Type | Dimensions [mm] | | | | | | Weight [kg] |
|------------------|-----------------|-----|-----|-----|-----|----|-------------|
| | ØD | B | H | H1 | L | P | |
| Kamin 125 | 124 | 245 | 350 | 300 | 260 | 50 | 4.5 |
| Kamin 140 | 139 | 285 | 350 | 300 | 300 | 50 | 5.7 |
| Kamin 150 | 149 | 285 | 350 | 300 | 300 | 50 | 5.7 |
| Kamin 160 | 159 | 285 | 350 | 300 | 300 | 50 | 5.7 |
| Kamin-ER 125 | 124 | 245 | 320 | 270 | 260 | 50 | 5.6 |
| Kamin-ER 140 | 139 | 285 | 320 | 270 | 300 | 50 | 6.8 |
| Kamin-ER 150 | 149 | 285 | 320 | 270 | 300 | 50 | 6.8 |
| Kamin-ER 150 max | 149 | 285 | 320 | 270 | 300 | 50 | 6.8 |
| Kamin-ER 160 | 159 | 285 | 320 | 270 | 300 | 50 | 6.8 |

■ Overall dimensions of the Kamin / Kamin-ER series fans equipped with filter box AF



| Type | Extra option | Dimensions [mm] | | | | | | Weight [kg] |
|------------------|--------------|-----------------|-----|-----|-----|-----|----|-------------|
| | | ØD | B | H | H1 | L | P | |
| Kamin 125 | AF 125 | 124 | 245 | 530 | 480 | 260 | 50 | 6.7 |
| Kamin 140 | AF 140 | 139 | 285 | 540 | 490 | 300 | 50 | 8.7 |
| Kamin 150 | AF 150 | 149 | 285 | 540 | 490 | 300 | 50 | 8.7 |
| Kamin 160 | AF 160 | 159 | 285 | 540 | 490 | 300 | 50 | 8.7 |
| Kamin-ER 125 | AF 125 | 124 | 245 | 500 | 450 | 260 | 50 | 7.8 |
| Kamin-ER 140 | AF 140 | 139 | 285 | 510 | 460 | 300 | 50 | 9.8 |
| Kamin-ER 150 | AF 150 | 149 | 285 | 510 | 460 | 300 | 50 | 9.8 |
| Kamin-ER 150 max | AF 150 | 149 | 285 | 510 | 460 | 300 | 50 | 9.8 |
| Kamin-ER 160 | AF 160 | 159 | 285 | 510 | 460 | 300 | 50 | 9.8 |

■ Overall dimensions of the Kamin / Kamin-ER series fans equipped with mixing chamber KF and damper GF



| Type | Extra option | Dimensions [mm] | | | | | | Weight [kg] |
|------------------|------------------------------------|-----------------|-----|-----|-----|-----|----|-------------|
| | | ØD | B | H | H1 | L | P | |
| Kamin 125 | KF 125 / KF 125 + GF 125 (BY-PASS) | 124 | 245 | 610 | 560 | 260 | 50 | 8.3 |
| Kamin 140 | KF / KF 140 + GF 140 (BY-PASS) | 139 | 285 | 650 | 600 | 300 | 50 | 9.7 |
| Kamin 150 | KF 150 / KF 150 + GF 150 (BY-PASS) | 149 | 285 | 650 | 600 | 300 | 50 | 9.7 |
| Kamin 160 | KF 160 / KF 160 + GF 160 (BY-PASS) | 159 | 285 | 650 | 600 | 300 | 50 | 9.7 |
| Kamin-ER 125 | KF 125 / KF 125 + GF 125 (BY-PASS) | 124 | 245 | 580 | 530 | 260 | 50 | 9.4 |
| Kamin-ER 140 | KF / KF 140 + GF 140 (BY-PASS) | 139 | 285 | 620 | 570 | 300 | 50 | 10.8 |
| Kamin-ER 150 | KF 150 / KF 150 + GF 150 (BY-PASS) | 149 | 285 | 620 | 570 | 300 | 50 | 10.8 |
| Kamin-ER 150 max | KF 150 / KF 150 + GF 150 (BY-PASS) | 149 | 285 | 620 | 570 | 300 | 50 | 10.8 |
| Kamin-ER 160 | KF 160 / KF 160 + GF 160 (BY-PASS) | 159 | 285 | 620 | 570 | 300 | 50 | 10.8 |