



## **OUTER VENTILATION HOOD**



**AH-S**

**EN**

**INSTALLATION INSTRUCTION**



**BLAUBERG**  
Ventilatoren

**PURPOSE**

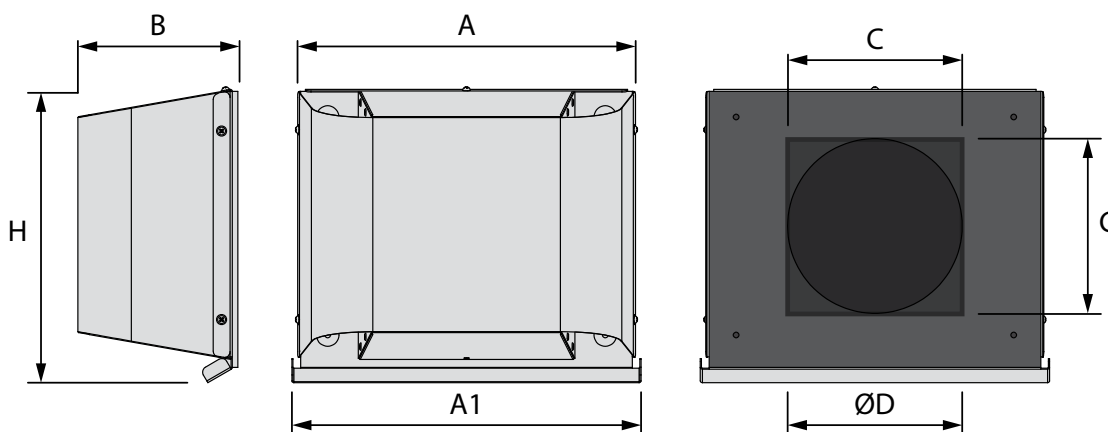
The outer ventilation hood is designed to prevent ingress of water and foreign objects into the ventilation equipment from outside.



**THE OUTER VENTILATION HOOD MAY NOT BE OPERATED BY CHILDREN OR PERSONS WITH REDUCED PHYSICAL, MENTAL OR SENSORY CAPACITIES, OR LACKING THE APPROPRIATE TRAINING.**

**THE CHOICE OF THE VENTILATION HOOD INSTALLATION LOCATION MUST PREVENT UNAUTHORIZED ACCESS BY UNATTENDED CHILDREN.**

**OVERALL DIMENSIONS, MM (INCH)**

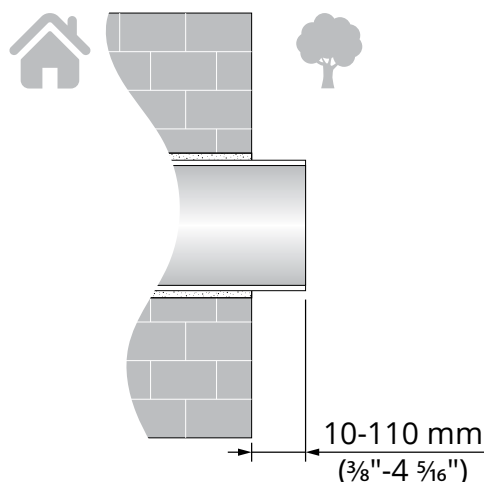


Model	A	A1	B	H	C	D
AH-S 100	270 mm (10 5/8")	280 mm (11")	154 mm (6 1/16")	205 mm (8 1/16")	-	110 mm (4 5/16")
AH-S 125	300 mm (11 13/16")	310 mm (12 3/16")	142 mm (5 9/16")	260 mm (10 1/4")	-	137 mm (5 3/8")
AH-S 160	300 mm (11 13/16")	310 mm (12 3/16")	142 mm (5 9/16")	260 mm (10 1/4")	-	162 mm (6 3/8")
AH-S 150x150	300 mm (11 13/16")	310 mm (12 3/16")	142 mm (5 9/16")	260 mm (10 1/4")	155 mm (6 1/8")	-
AH-S 164x164	300 mm (11 13/16")	310 mm (12 3/16")	142 mm (5 9/16")	260 mm (10 1/4")	175 mm (6 7/8")	-

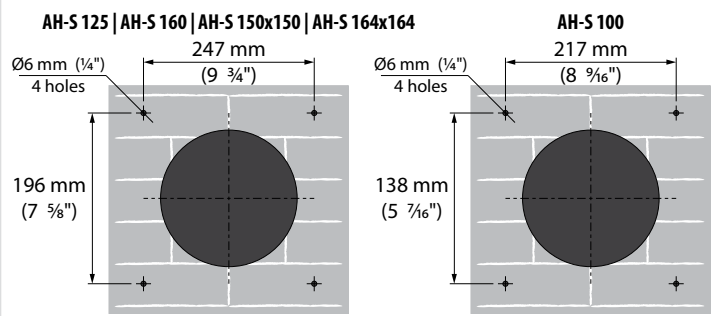
**OUTER VENTILATION HOOD MOUNTING**

1. Insert the air duct from indoor to protrude from outside on the outer wall surface.  
Cut the air duct excess with a hack saw or with any other suitable tool.  
If the air duct has a sound-insulating layer inside, remove it before cutting the air duct.  
Cut the sound-insulating layer to be flush with the air duct.

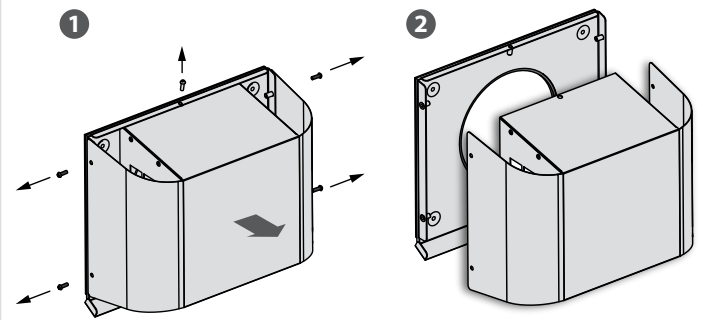
**Warning! If the mounting place is located at high altitude please refer to a mounting company possessing an appropriate mounting equipment!**



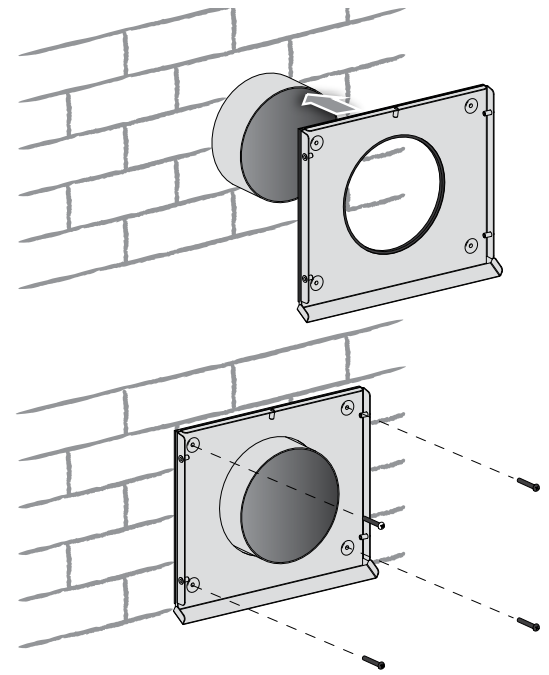
2. Mark the fastening holes for the outer ventilation hood and drill 4 holes, 50 mm deep to suit the expansion anchors. Use the back wall of the ventilation hood to facilitate the marking.



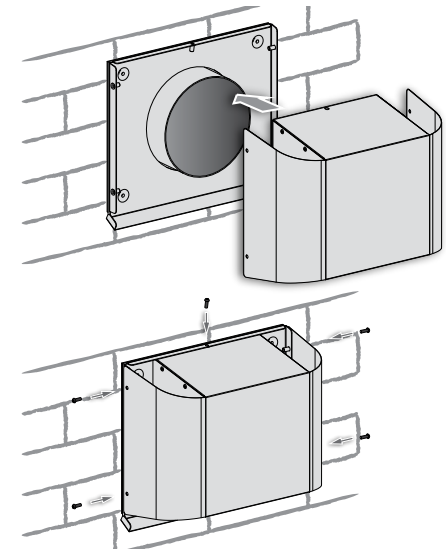
3. Insert the supplied expansion anchors 6x40 into the holes. Disassemble the outer ventilation hood to ensure access to the fastening holes. Remove the ventilation hood front part.



4. Fix the back wall of the ventilation hood on the wall using the supplied screws 4x40.



5. Cover the ventilation hood with the front part.





**BLAUBERG**  
*Ventilatoren*

