



Multi-speed switches

CDPI-2 E5 CDPI-3 E5

Use

- On/off switch and speed selection for multi-speed fans.

Design

- Casing made of high-quality plastic.
- The casing includes an ON/OFF button, speed regulator and an operation light.
- Wall flush mounting.
- IP40 ingress protection rating.

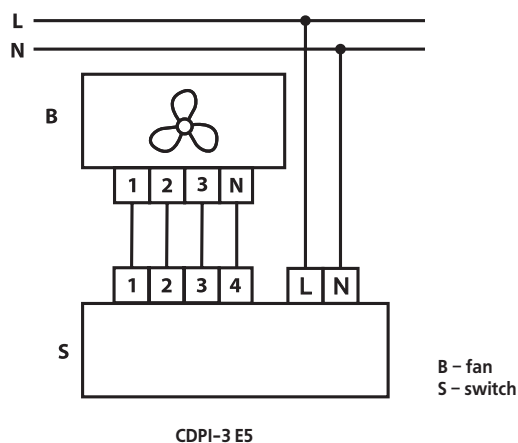
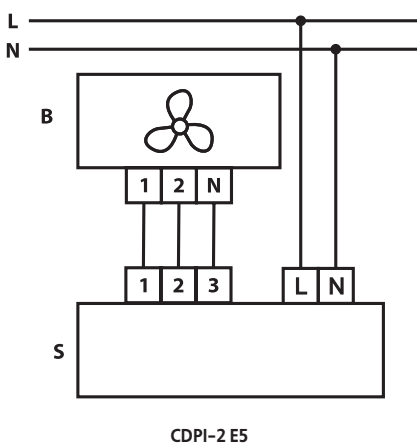
Mounting

- Designed for wall mounting in a flush mounting box.

Specifications

Parameters	CDPI-2 E5	CDPI-3 E5
Voltage, 50 Hz [V]	1 ~ 230	1 ~ 230
Rated current [A]	5.0	5.0
Number of speeds	2	3
Overall dimensions [mm]	162x80x70	162x80x70
Max. ambient temperature [°C]	40	40
Ingress Protection	IP40	IP40
Weight [kg]	0.25	0.25

Wiring diagram



B – fan
S – switch