



Speed controller

CDT E

CDTE E

Applications

Applied in ventilation systems for speed switching ON/OFF and speed control of the single phase power-controlled motors. Several fans can be controlled synchronously in case their total current does not exceed the maximum permissible values for the controller current.

Design and control

Controller has the plastic casing with the control knob, ON/OFF button and pilot light. The controller is featured with high efficiency and control accuracy. Regulation starts from the minimum fan stable running voltage value to the maximum one. The minimum rotation speed is set by means of the potentiometer on the PCB.

Protection

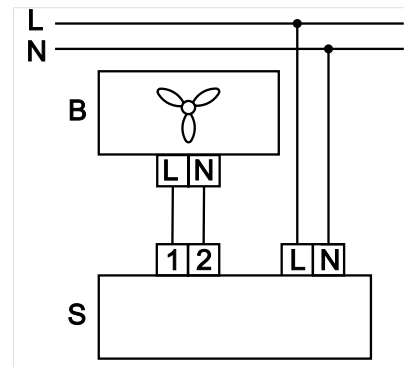
Input circuit of the speed controller has a thermal fuse for overload protection. The controller is fitted with a transient filter.

Mounting

The controller is designed for indoor wall mounting either on the wall (CDTE E) or through the wall (CDT E).

Technical data

	CDT(E) E1	CDT(E) E1.5	CDT(E) E2	CDT(E) E2.5
Voltage [V / 50 Hz]	1~ 230	1~ 230	1~ 230	1~ 230
Rated current [A]	1.0	1.5	2.0	2.5
Overall dimensions LxWxH [mm]	162x80x70	162x80x70	162x80x70	162x80x70
Maximum ambient temperature [°C]	40	40	40	40
Protection rating	IP44	IP44	IP44	IP44
Weight [kg]	0.3	0.3	0.3	0.3



Controller wiring diagram