

# SL

## Air dampers for rectangular ducts

### Features

- For manual regulation of air flow volume or shut-off of air ducts installed in ventilation systems of various premises.
- Compatible with 400x200 mm up to 1000x500 mm rectangular air ducts.



### Design

- The multi-blade design with the counter-rotated blades.
- The casing is made of galvanized steel.
- The rotary blades from aluminium profile are rotated with the gears.
- Air flow manual regulation with a metal handle equipped with a lever and a locking device to fix position of the rotary blades.
- A shaft and a mounting pad are provided for BELIMO electric actuator. Compatible actuators are shown in the table below.

### Mounting

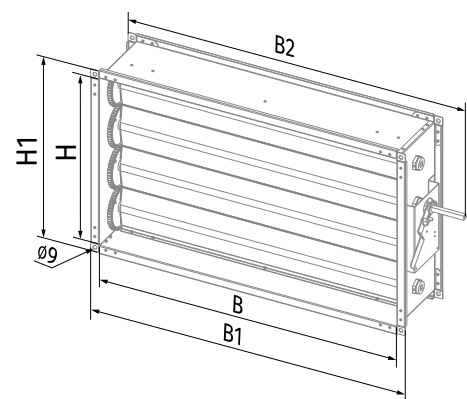
- Fixing to rectangular ducts with flange connection.
- Mounting with galvanized bolts and clamps that fix the end flanges of the air flow regulators to the mating flanges of the air ducts or any other ventilation system components.

### Designation key

Series	Flange size [cm]
SL	40x20; 50x25; 50x30; 60x30; 60x35; 70x40; 80x50; 90x50; 100x50

### Overall dimensions [mm]

Model	B	B1	B2	H	H1	L	Weight [kg]
SL 40x20	400	440	540	200	240	170	3.5
SL 50x25	500	540	640	250	290	170	4.2
SL 50x30	500	540	640	300	340	170	4.9
SL 60x30	600	640	740	300	340	170	5.4
SL 60x35	600	640	740	350	390	170	5.7
SL 70x40	700	740	840	400	440	170	7.7
SL 80x50	800	840	940	500	540	170	8.8
SL 90x50	900	940	1040	500	540	170	9.6
SL 100x50	1000	1040	1140	500	540	170	10.3



### Compatibility table of air dampers with electric actuators

	Actuator type			
	Electric actuator, 230 V	Electric actuator with spring return, 230 V	Electric actuator, 24 V	Electric actuator with spring return, 24 V
SL 40x20	CM230 / LM230A	TF230 / LF230	CM24 / LM24A	TF24 / LF24
SL 50x25	CM230 / LM230A	TF230 / LF230	CM24 / LM24A	TF24 / LF24
SL 50x30	CM230 / LM230A	TF230 / LF230	CM24 / LM24A	TF24 / LF24
SL 60x30	CM230 / LM230A	TF230 / LF230	CM24 / LM24A	TF24 / LF24
SL 60x35	CM230 / LM230A	TF230 / LF230	CM24 / LM24A	TF24 / LF24
SL 70x40	LM230A	LF230	LM24A	LF24
SL 80x50	LM230A	LF230	LM24A	LF24
SL 90x50	LM230A	LF230	LM24A	LF24
SL 100x50	LM230A	LF230	LM24A	LF24

