

# Tower-AL

## Roof axial fans

### Use

- Extract ventilation systems installed in various premises.
- Roof mounting.
- For any types of roofs or vertical ventilation shafts.



**Air flow:**  
up to 1700 m<sup>3</sup>/h  
472 l/s



**Power:**  
from 43 W



**Noise level:**  
from 32 dBA



### Design

- Steel casing with a special polymer atmospheric resistant coating.
- Aluminium impeller.
- Horizontal air exhaust.
- The fan is equipped with a terminal block for connection to power mains.
- The fan is rated for continuous operation.
- A connecting plate with an intake opening is designed to facilitate mounting to the roof surface.

### Motor

- Single-phase asynchronous external rotor motor with axial impeller.
- Equipped with ball bearings for longer service life.
- Overheating protection by built-in thermal switches with automatic restart.

### Speed control

- Smooth speed control with an external thyristor controller or step speed control with an external auto transformer (both available upon separate order).

### Mounting

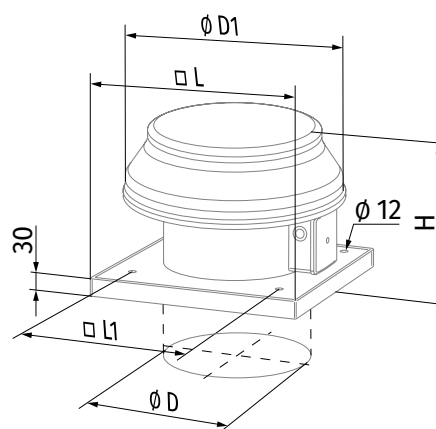
- Roof mounting directly above a ventilation shaft or air duct.
- The fan is connected to the air duct with the intake flange that is fixed to the fan base.
- The fan base has holes for fixing bolts that attach the fan to a stable level surface or a roof frame.
- Roof frame and intake flange available on separate order.
- Power is supplied through an external terminal box.

### Designation key

Series	Spigot diameter [mm]
Tower-AL	200; 250; 315

### Overall dimensions [mm]

Type	∅ D	∅ D1	H	L	L1	Weight [kg]
Tower-AL 200	208	345	280	425	330	6.1
Tower-AL 250	262	405	300	425	330	7.2
Tower-AL 315	314	555	380	585	450	11.5



### Accessories

Mounting frames	Silencers	Backdraft air dampers	Air dampers	Speed controllers
 MRDL / MRIDL	 SD	 VRV	 VK / VKA	 CDT E1.8

## Technical data

Parameters	Tower-AL 200		Tower-AL 250		Tower-AL 315	
Voltage [V]	1 ~ 230		1 ~ 230		1 ~ 230	
Frequency [Hz]	50	60	50	60	50	60
Power [W]	43	33	68	76	110	104
Current [A]	0.28	0.21	0.48	0.51	0.75	0.7
Maximum air flow [m³/h (l/s)]	405 (113)	470 (131)	1070 (297)	1050 (292)	1700 (472)	1650 (458)
RPM [min <sup>-1</sup> ]	1300	1615	1300	1450	1300	1365
Sound pressure at 3 m [dBA]	32	31	48	48	54	54
Transported air temperature [°C]	40		40		40	
SEC class	-		-		C	
IP rating	IP24		IP24		IP24	
Motor IP rating	IP44		IP44		IP44	
ErP	-		-		-	

