

# Tower-AM

## Roof centrifugal fans

### Use

- Extract ventilation systems installed in various premises.
- Roof mounting.
- For any types of roofs or vertical ventilation shafts.
- Compatible with  $\varnothing$  150 up to 315 mm round air ducts.



**Air flow:**  
up to 1920 m<sup>3</sup>/h  
533 l/s



**Power:**  
from 98 W



**Noise level:**  
from 47 dBA



### Design

- Steel casing with a special polymer atmospheric resistant coating.
- Horizontal air exhaust.
- The fan is rated for continuous operation.
- A connecting plate is designed to facilitate the fan mounting to the roof surface.

### Motor

- Single-phase external rotor motor and centrifugal impeller with backward curved blades.
- Dynamically balanced impeller.
- Equipped with ball bearings for longer service life.
- Overheating protection with built-in thermal switches with automatic restart.

### Speed control

- Smooth or step speed control with an external thyristor controller or an external auto transformer (both available upon separate order).

### Mounting

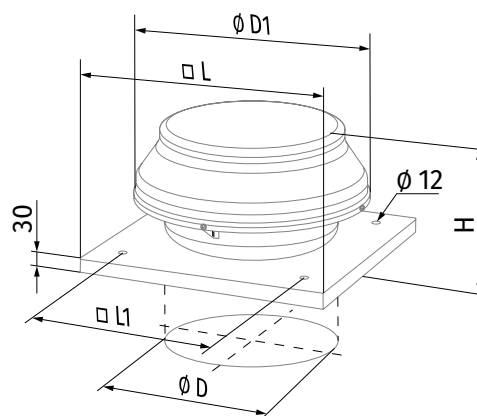
- Roof mounting directly above a ventilation shaft or air duct.
- The fan is connected to the air duct with the intake flange that is fixed to the fan base.
- The fan base is perforated for fixing bolts that attach the fan to a stable level surface or a roof frame.
- Roof frame, intake flange and fixing bolts are available on separate order.
- Power is supplied through an external terminal box.

### Designation key

Series	Spigot diameter [mm]
Tower-AM	150; 200; 250; 315

### Overall dimensions [mm]

Type	$\varnothing$ D	$\varnothing$ D1	H	L	L1	Weight [kg]
Tower-AM 150	149	400	230	440	330	7.2
Tower-AM 200	198	400	250	440	330	8.1
Tower-AM 250	248	400	249	590	450	10.1
Tower-AM 315	315	550	339	590	450	12.3



### Accessories

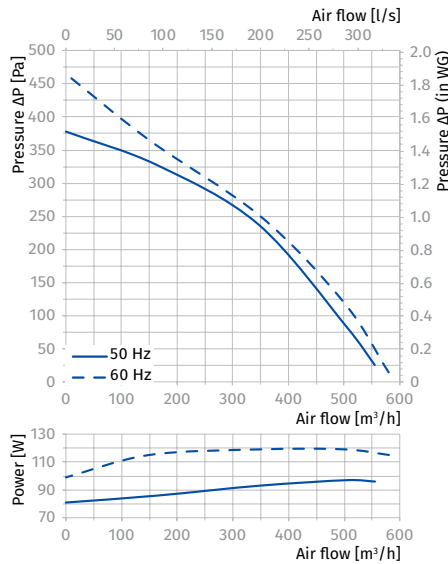
Mounting frames	Silencers	Backdraft air dampers	Air dampers	Speed controllers
 MRDL / MRIDL	 SD	 VRV	 VK / VKA	 CDT E1.8

### Technical data

Parameters	Tower-AM 150		Tower-AM 200		Tower-AM 250		Tower-AM 315	
Voltage [V]	1 ~ 230		1 ~ 230		1 ~ 230		1 ~ 230	
Frequency [Hz]	50	60	50	60	50	60	50	60
Power [W]	98	119	154	205	194	240	296	413
Current [A]	0.43	0.52	0.67	0.9	0.85	1.05	1.34	1.8
Maximum air flow [m³/h (l/s)]	555 (154)	580 (161)	950 (264)	1000 (278)	1310 (364)	1340 (372)	1880 (522)	1920 (533)
RPM [min⁻¹]	2705	2855	2375	2510	2790	2860	2720	2780
Sound pressure at 3 m [dBA]	47	48	48	50	52	53	54	55
Max. transported air temperature [°C]	-25...+55	-25...+50	-25...+50	-25...+50	-25...+50	-25...+50	-25...+45	-25...+50
SEC class	B		B		-		-	
IP rating	IPX4		IPX4		IPX4		IPX4	
Motor IP rating	IP44		IP44		IP44		IP44	
ErP	2018		2018		2018		2018	

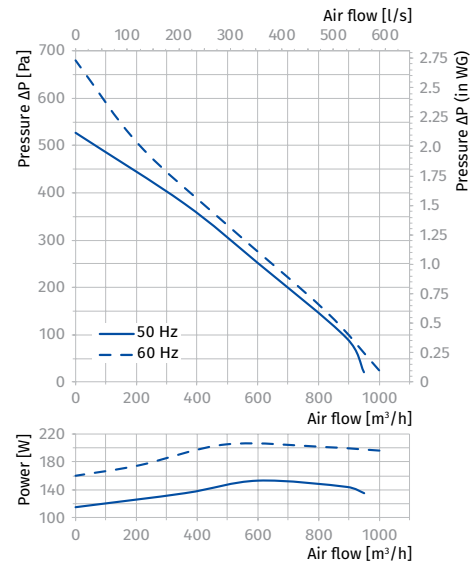
#### TOWER-AM 150

Sound power level, A-weighted	Total	Octave frequency bands [Hz]							
		63	125	250	500	1000	2000	4000	8000
LWA to inlet [dBA]	71	45	65	64	63	61	60	48	39
LWA to environment [dBA]	64	39	59	55	37	20	17	26	20



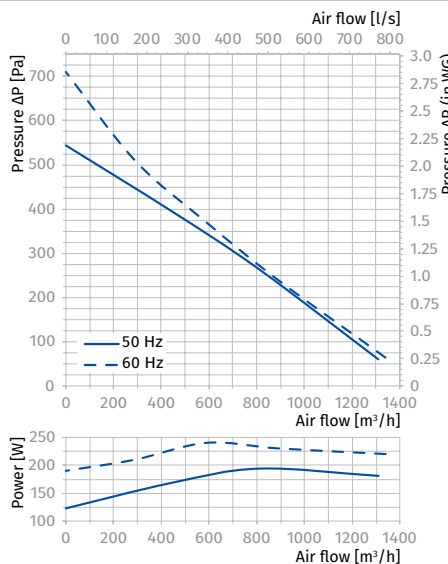
#### TOWER-AM 200

Sound power level, A-weighted	Total	Octave frequency bands [Hz]							
		63	125	250	500	1000	2000	4000	8000
LWA to inlet [dBA]	77	49	69	67	72	65	61	58	50
LWA to environment [dBA]	64	45	63	61	48	31	25	47	41



#### TOWER-AM 250

Sound power level, A-weighted	Total	Octave frequency bands [Hz]							
		63	125	250	500	1000	2000	4000	8000
LWA to inlet [dBA]	72	58	65	66	69	66	62	53	47
LWA to environment [dBA]	65	57	64	60	49	39	39	44	40



#### TOWER-AM 315

Sound power level, A-weighted	Total	Octave frequency bands [Hz]							
		63	125	250	500	1000	2000	4000	8000
LWA to inlet [dBA]	77	55	67	68	72	68	66	62	60
LWA to environment [dBA]	68	52	64	63	55	47	52	57	50

