

Tower-HC

Roof centrifugal fans

Use

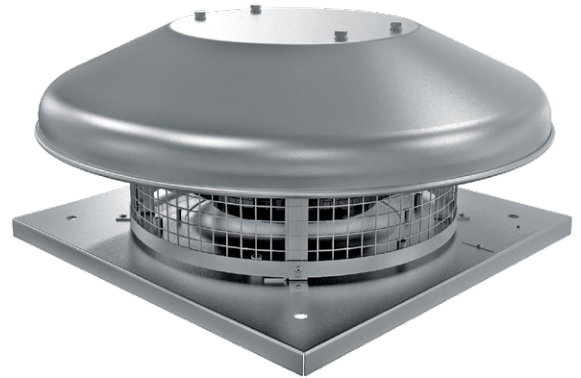
- Extract ventilation systems installed in various premises.
- Roof mounting.
- For any types of roofs.



Air flow:
up to 2442 m³/h
678 l/s



Power:
from 48 W



Design

- Steel casing with a special polymer atmospheric resistant coating.
- Horizontal air exhaust.
- The fan is equipped with a terminal block for connection to power mains.
- The fan is rated for continuous operation.
- Impeller with a protecting insect screen.
- The upper cover is equipped with two eye bolts for easy fan lifting on the roof with hoisting mechanism.
- A connecting plate with an intake opening is designed to facilitate mounting to the roof surface.

Motor

- Two- or four-pole asynchronous motor with external rotor and centrifugal impeller with backward curved blades.
- Dynamically balanced impeller.
- Equipped with ball bearings for longer service life.
- Overheating protection by built-in thermal switches with leaded outside terminals for connection to external protecting controls.
- The thermal switch terminal leads are designed for connection to respective circuit of the overload relay or respective terminals of the auto-transformer or thyristor speed controller.

Speed control

- Step speed control with transformer speed controller (available upon order).

Mounting

- Roof mounting directly above a ventilation shaft or air duct.
- The fan is connected to the air duct with the intake flange that is fixed to the fan base.
- The fan base has holes for fixing bolts that attach the fan to the stable level surface or a roof frame.
- Roof frame and intake flange available on separate order.
- Power is supplied through an external terminal box.

ROOF FANS

Designation key

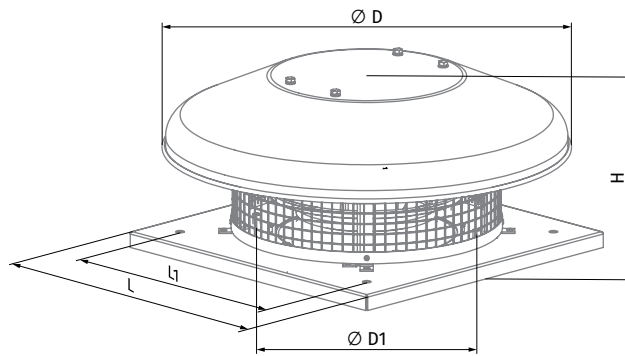
Series	Impeller standard size	Motor Number of poles	Phase	Casing material
Tower-HC	190; 220; 225; 250; 280; 310	2; 4	E: single-phase D: three-phase	_: steel with polymeric coating A: aluminum

Accessories

Backdraft dampers	Flexible connectors for roof fans	Counterflanges	Mounting frames	Silencers	Backdraft air dampers	Air dampers	Speed controllers
KDL	VDL	FDL	MRDL / MRIDL	SD	VRV	VK / VKA	CDTE E... TP CDR5E D... TP CDR5E D... M

Overall dimensions [mm]

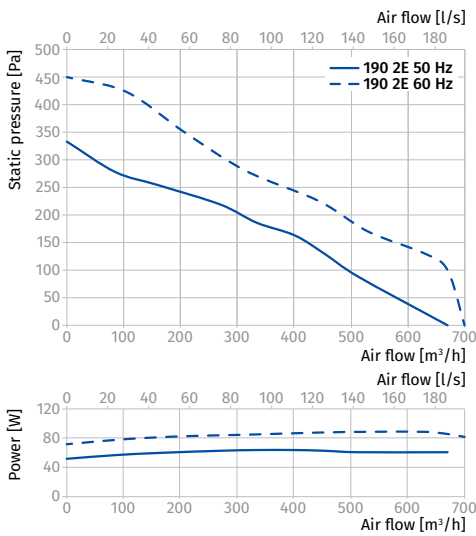
Type	Ø D	Ø D1	H	L	L1	Weight (kg)
Tower-HC 190 2E	503	210	178	330	245	6
Tower-HC 220 2E	503	210	186	330	245	7
Tower-HC 225 2E	503	210	193	330	245	7
Tower-HC 225 4E	503	210	224	330	245	7
Tower-HC 250 2E	503	285	224	420	330	8
Tower-HC 250 4E	503	285	224	420	330	8
Tower-HC 280 4E	623	285	255	420	330	10
Tower-HC 310 2E	623	285	258	420	330	10
Tower-HC 310 4E	623	285	277	420	330	11
Tower-HC 310 4D	623	285	277	420	330	11



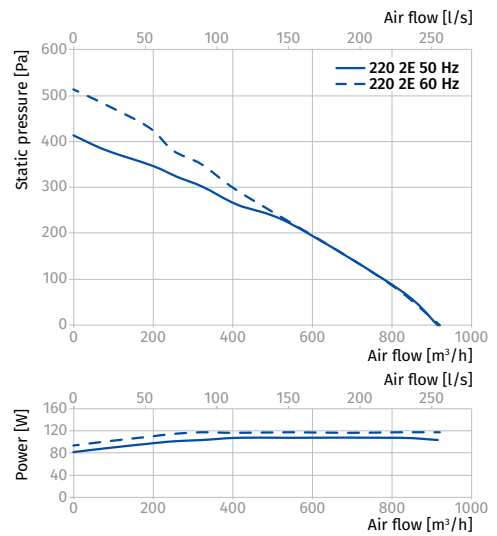
Technical data

Parameters	Tower-HC 190 2E		Tower-HC 220 2E		Tower-HC 225 2E		Tower-HC 225 4E
Voltage [V]	1 ~ 230		1 ~ 230		1 ~ 230		1 ~ 230
Frequency [Hz]	50	60	50	60	50	60	50
Power [W]	64	89	108	118	123	170	49
Current [A]	0.29	0.40	0.49	0.54	0.54	0.70	0.22
Maximum air flow [m³/h (l/s)]	670 (186)	700 (194)	915 (254)	920 (256)	940 (261)	1040 (289)	760 (211)
RPM [min ⁻¹]	2730	2980	2640	2840	2787	2820	1400
Sound pressure at 3 m [dBA]	48	49	50	51	51	52	45
Max. transported air temperature [°C]	-25...+50		-25...+50		-25...+50		-25...+50
IP rating	IPX4		IPX4		IPX4		IPX4
Motor IP rating	IP44		IP44		IP44		IP44
ErP	2018	-	2018	-	2018	-	2018

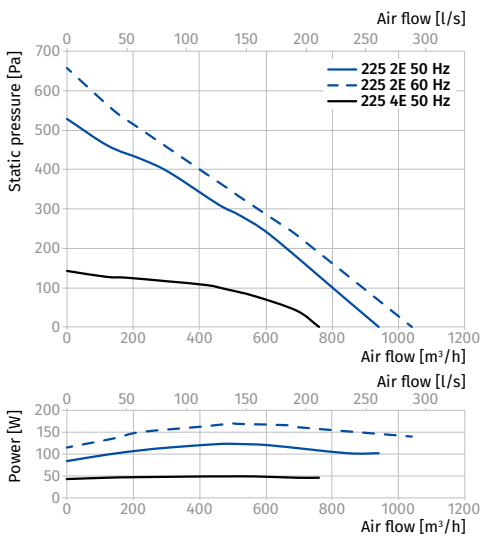
TOWER-HC 190 2E



TOWER-HC 220 2E

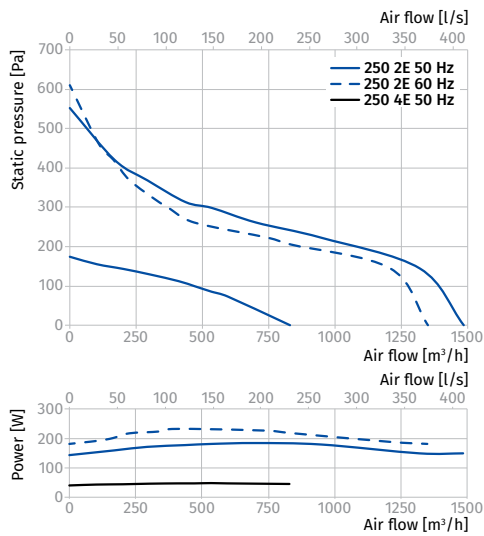


TOWER-HC 225 2E, TOWER-HC 225 4E

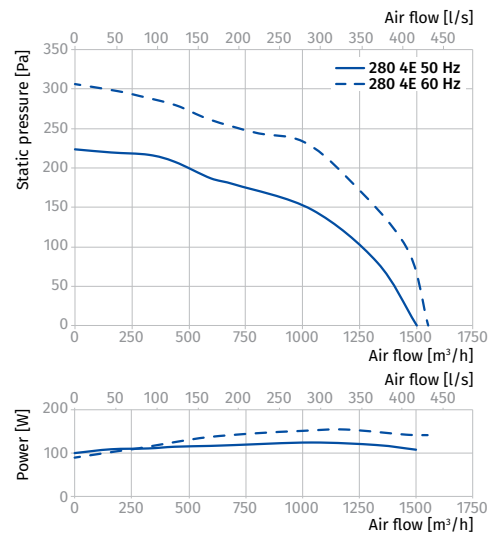


Parameters	Tower-HC 250 2E		Tower-HC 250 4E	Tower-HC 280 4E		Tower-HC 310 2E	Tower-HC 310 4E		Tower-HC 310 4D	
Voltage [V]	1 ~ 230		1 ~ 230	1 ~ 230		1 ~ 230	1 ~ 230		3 ~ 400	
Frequency [Hz]	50	60	50	50	60	50	50	60	50	60
Power [W]	184	232	48	125	155	324	141	195	155	202
Current [A]	0,81	0,90	0,23	0,61	0,99	1,42	0,64	0,87	0,29	0,32
Maximum air flow [m³/h (l/s)]	1485 (413)	1350 (375)	830 (231)	1500 (417)	1550 (431)	2150 (597)	2265 (629)	2425 (674)	2300 (639)	2442 (678)
RPM [min⁻¹]	2480	2320	1440	1446	1710	2620	1420	1740	1410	1550
Sound pressure at 3 m [dBA]	54	53	46	46	46	58	47	49	47	48
Max. transported air temperature [°C]	-25...+50		-25...+50	-25...+50		-25...+50	-25...+50		-25...+50	
IP rating	IPX4		IPX4	IPX4		IPX4	IPX4		IPX4	
Motor IP rating	IP44		IP44	IP44		IP44	IP54		IP54	
ErP	2018	-	2018	2018	-	2018	2018	-	2018	-

TOWER-HC 250 2E, TOWER-HC 250 4E



TOWER-HC 280 4E



TOWER-HC 310 2E, TOWER-HC 310 4E, TOWER-HC 310 4D

