



## Gravity dampers

# VG

for rectangular ducts

### Use

- For automatic shutoff of air ducts installed in various premises when the fan is off.
- Gravitationally actuated.
- Compatible with 400x200 up to 1000x500 mm rectangular air ducts.

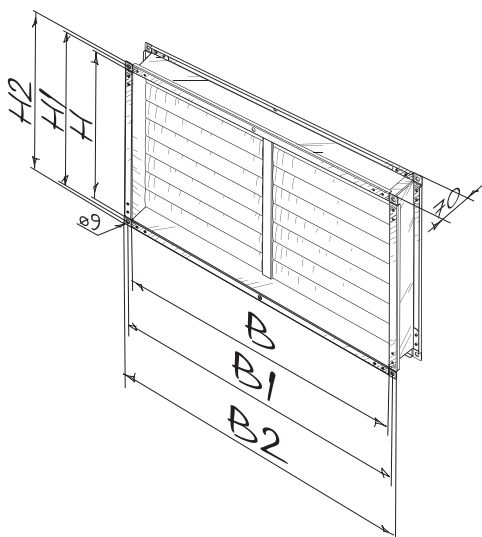
### Design

- Galvanized steel case.
- Equipped with pivoted gravity louvre shutters made of PVC built into a frame.
- Louvre shutters are opened by air pressure and are closed automatically when the fan is off.

### Mounting

- Fixing to rectangular ducts in upright position.
- Provide free gravity actuating of the louvre shutters.
- While mounting into the ventilation system match air flow direction.

### Overall dimensions



Type	Dimensions [mm]						Weight [kg]
	B	B1	B2	H	H1	H2	
VG 40x20	400	420	440	200	220	240	1.29
VG 50x25	500	520	540	250	270	290	1.58
VG 50x30	500	520	540	300	320	340	1.83
VG 60x30	600	620	640	300	320	340	2.05
VG 60x35	600	620	640	350	370	390	2.21
VG 70x40	700	720	740	400	420	440	3.0
VG 80x50	800	820	840	500	520	540	3.6
VG 90x50	900	920	940	500	520	540	3.8
VG 100x50	1000	1020	1040	500	520	540	4.0

