

VKA

Air dampers for round ducts

Features

- For automatic shutoff of air ducts installed in ventilation systems of various premises.
- Compatible with Ø 80 to 450 mm round air ducts.



Design

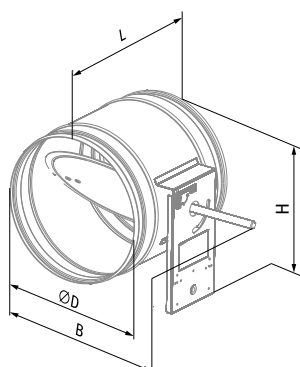
- The casing and the rotary blade are made of galvanized steel.
- Airtight connection to air ducts due to rubber seals.
- A shaft and a mounting pad are provided for BELIMO electric actuator. Compatible actuators are shown in the table below.

Designation key

Series	Connected air duct diameter [mm]
VKA	80; 100; 125; 150; 160; 200; 250; 315; 355; 400; 450

Overall dimensions [mm]

Model	Ø D	B	L	H	Weight [kg]
VKA 80	79	190	200	170	0.6
VKA 100	99	220	200	180	0.72
VKA 125	124	245	200	195	0.86
VKA 150	149	270	200	205	1.01
VKA 160	159	280	200	210	1.07
VKA 200	199	320	200	230	1.33
VKA 250	249	370	200	255	1.68
VKA 315	314	435	240	-	2.44
VKA 355	348	475	240	-	2.75
VKA 400	399	520	240	-	3.26
VKA 450	449	570	240	-	3.78



Mounting

- Fixing to round ducts with clamps.
- While mounting provide enough space for accessing the electric actuator.

Compatibility table

Compatibility table for shutters with an electrical actuator

Model	Actuator type			
	Electric actuator, 230 V	Electric actuator with spring return, 230 V	Electric actuator, 24 V	Electric actuator with spring return, 24 V
VKA 80	CM230 / LM230A	TF230	CM24 / LM24A	TF24
VKA 100	CM230 / LM230A	TF230	CM24 / LM24A	TF24
VKA 125	CM230 / LM230A	TF230	CM24 / LM24A	TF24
VKA 150	CM230 / LM230A	TF230	CM24 / LM24A	TF24
VKA 160	CM230 / LM230A	TF230	CM24 / LM24A	TF24
VKA 200	CM230 / LM230A	TF230	CM24 / LM24A	TF24
VKA 250	CM230 / LM230A	TF230	CM24 / LM24A	TF24
VKA 315	CM230 / LM230A	TF230	CM24 / LM24A	TF24
VKA 355	CM230 / LM230A	TF230	CM24 / LM24A	TF24
VKA 400	CM230 / LM230A	TF230	CM24 / LM24A	TF24
VKA 400	CM230 / LM230A	TF230	CM24 / LM24A	TF24

